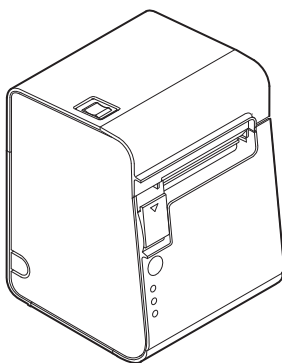


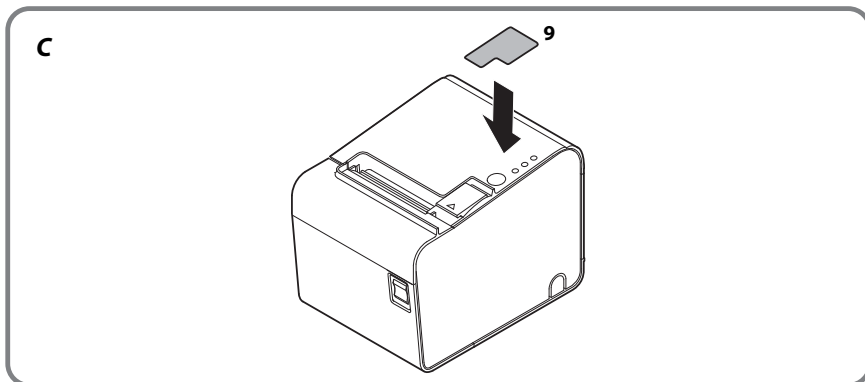
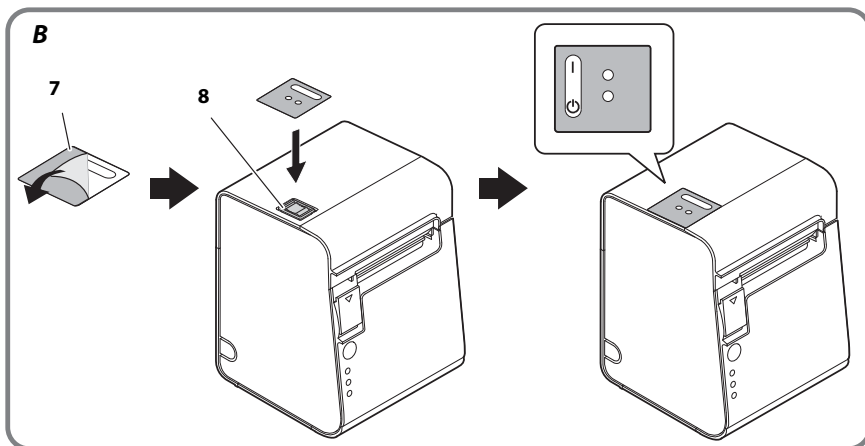
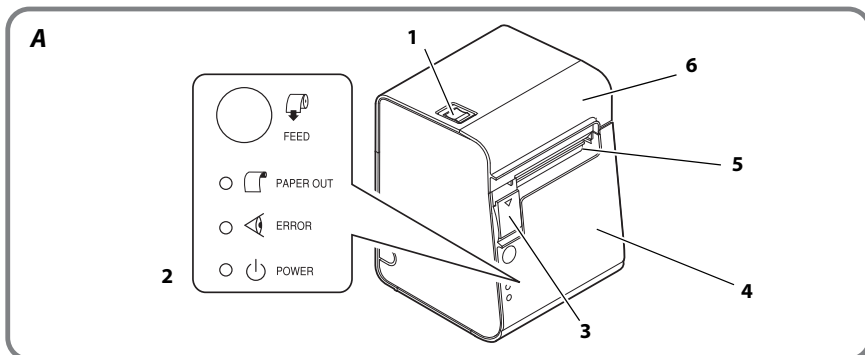
TM-L90

User's Manual / 使用説明書

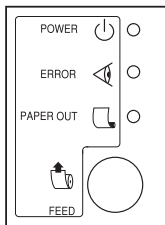


412509101

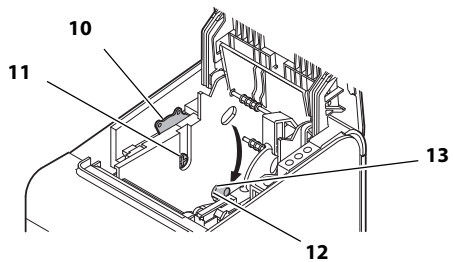
Illustrations



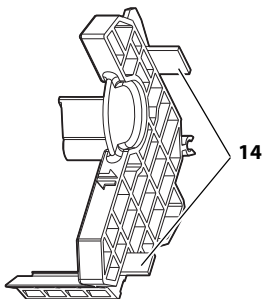
D



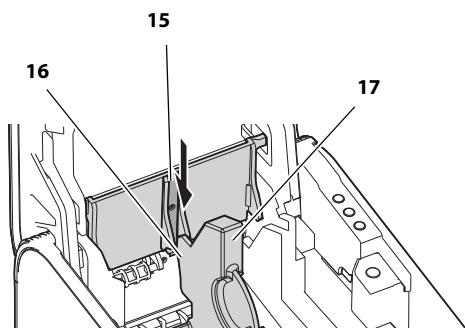
E



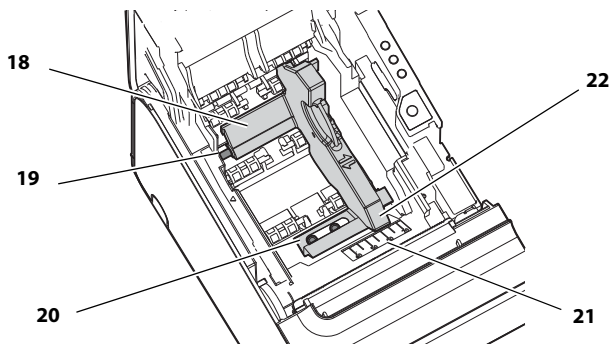
F

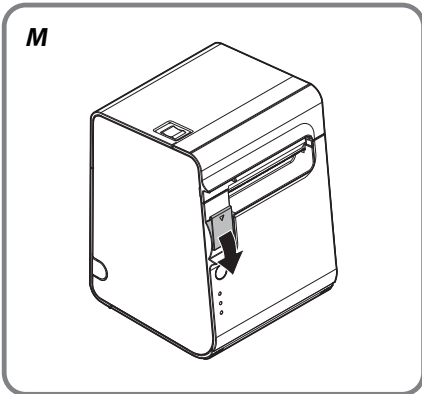
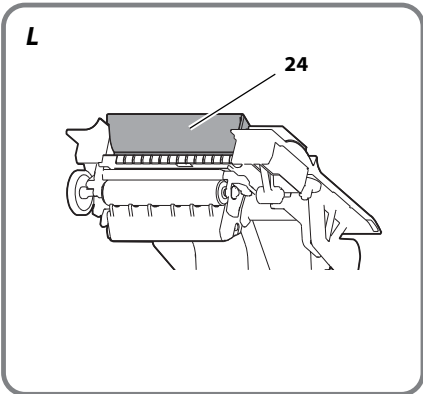
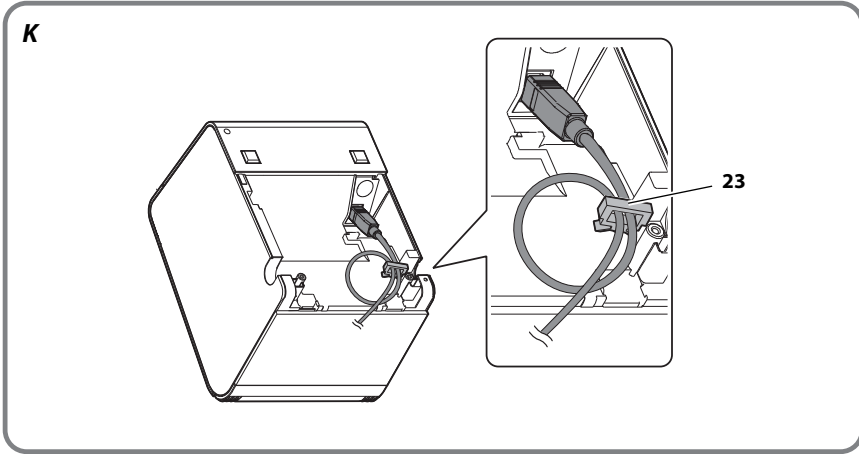
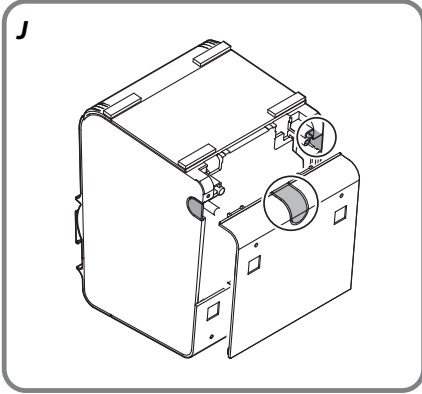
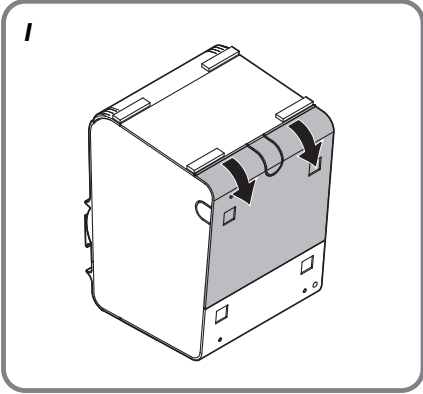


G

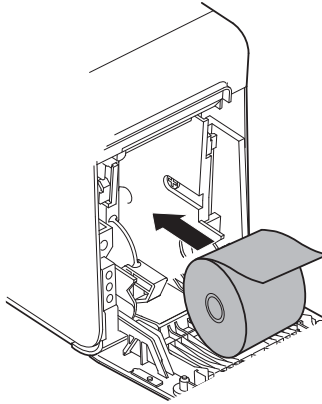


H

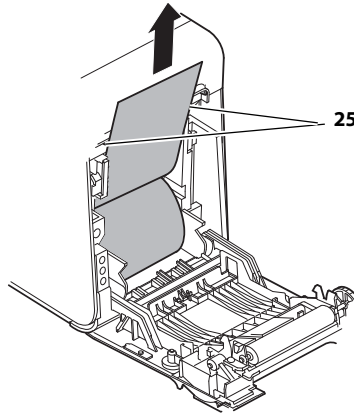




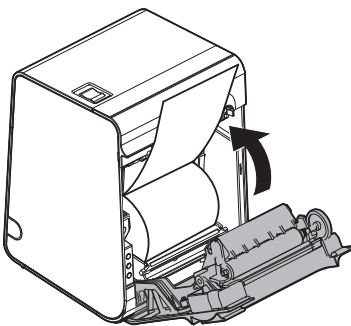
N



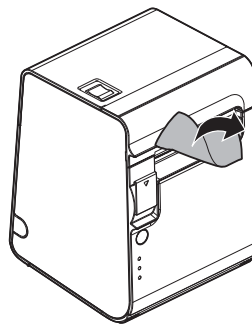
O



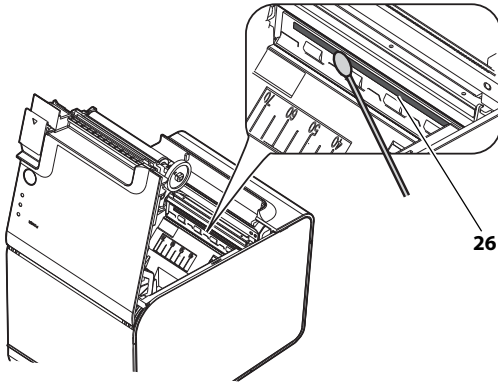
P



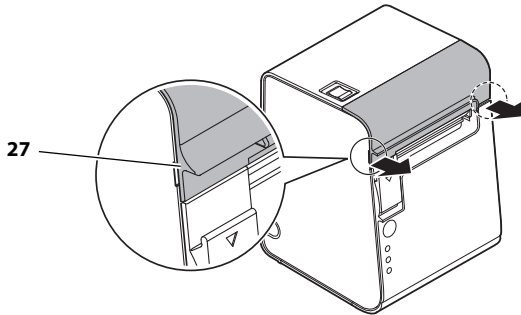
Q



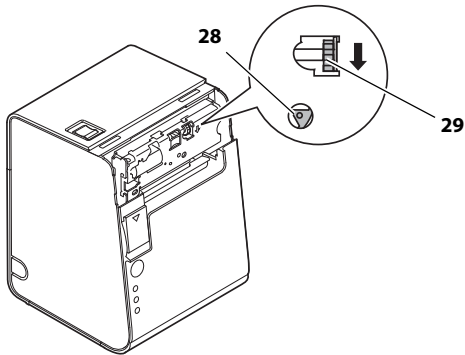
R



S



T



English

Illustrations

All of the illustrations are at the beginning of this manual. They are identified by letters (A, B, C . . .). Some of the illustrations have numbers in them. See the list below for the meaning of the numbers. The text has references to the letters and the numbers. For example: “See **Illustration A**” or “See **A 6**.” (“**A 6**” means number **6** on **Illustration A**.)

Illustration A:

1. Power switch
2. Control panel
3. Cover open lever
4. Roll paper cover
5. Manual cutter
6. Cutter cover

Illustration B:

7. Power switch cover
8. Power switch waterproof cover

Illustration C:

9. Control panel label

Illustration D

Illustration E:

10. Lever
11. Screw
12. Hole

13. Near-end sensor

Illustration F:

14. Tabs

Illustration G:

15. Notch
16. Front edge
17. Roll paper spacer

Illustration H:

18. Hook
19. Shaft

20. Screw

21. Ruler

22. Inside edge

Illustration I

Illustration J

Illustration K:

23. Wire saddle

Illustration L:

24. Paper exit guide

Illustration M

Illustration N

Illustration O:

25. Paper guides

Illustration P

Illustration Q

Illustration R:

26. Thermal head

Illustration S:

27. Slot

Illustration T:

28. Triangle mark

29. Knob

All rights reserved. No part of this publication may be reproduced, stored in a retrieval system, or transmitted in any form or by any means, electronic, mechanical, photocopying, recording, or otherwise, without the prior written permission of Seiko Epson Corporation. No patent liability is assumed with respect to the use of the information contained herein. While every precaution has been taken in the preparation of this book, Seiko Epson Corporation assumes no responsibility for errors or omissions. Neither is any liability assumed for damages resulting from the use of the information contained herein.

Neither Seiko Epson Corporation nor its affiliates shall be liable to the purchaser of this product or third parties for damages, losses, costs, or expenses incurred by purchaser or third parties as a result of: accident, misuse, or abuse of this product or unauthorized modifications, repairs, or alterations to this product, or (excluding the U.S.) failure to strictly comply with Seiko Epson Corporation's operating and maintenance instructions.

Seiko Epson Corporation shall not be liable against any damages or problems arising from the use of any options or any consumable products other than those designated as Original Epson Products or Epson Approved Products by Seiko Epson Corporation.

Depending on the area, the interface cable may be included with the product. If so, use that cable.

Seiko Epson Corporation shall not be held liable for any damage resulting from electromagnetic interference that occurs from the use of any interface cables other than those designated as Epson approved products.

EPSON and EXCEED YOUR VISION are registered trademarks of Seiko Epson Corporation.

Other product names and company names are the trademarks or registered trademarks of their respective companies.

NOTICE: The contents of this manual are subject to change without notice.

©Seiko Epson Corporation 2013-2017. All rights reserved.

Important Safety Information

This section contains important information intended to ensure safe and effective use of this product. Please read this section carefully and store it in an accessible location.

Key to Symbols

The symbols in this manual are identified by their level of importance, as defined below. Read the following carefully before handling the product.



WARNING:

Warnings must be followed carefully to avoid serious bodily injury.



CAUTION:

Cautions must be observed to avoid minor injury to yourself, damage to your equipment, or loss of data.



Note:

Notes have important information and useful tips on the operation of your equipment.

Safety Precautions



WARNING:

Shut down your equipment immediately if it produces smoke, a strange odor, or unusual noise. Continued use may lead to fire. Immediately unplug the equipment and contact your dealer or a Seiko Epson service center for advice.

Never attempt to repair this product yourself. Improper repair work can be dangerous.

Never disassemble or modify this product. Tampering with this product may result in injury or fire.

Be sure to use the specified power source. Connection to an improper power source may cause fire.

Do not allow foreign matter to fall into the equipment. Penetration by foreign objects may lead to fire.

If water or other liquid spills into this equipment, unplug the power cord immediately, and then contact your dealer or a Seiko Epson service center for advice. Continued usage may lead to fire.

Do not use aerosol sprayers containing flammable gas inside or around this product. Doing so may cause fire.

Do not connect a telephone line to the drawer kick-out connector; otherwise, the printer and the telephone line may be damaged.

Use a shield cable for the drawer connector cable.



CAUTION:

Do not connect cables in ways other than those mentioned in this manual. Different connections may cause equipment damage and burning.

Be sure to set this equipment on a firm, stable, horizontal surface. The product may break or cause injury if it falls.

Do not use in locations subject to high humidity or dust levels. Excessive humidity and dust may cause equipment damage or fire.

Do not place heavy objects on top of this product. Never stand or lean on this product.

Equipment may fall or collapse, causing breakage and possible injury.

Take care not to injure your fingers on the manual cutter

- *When you remove printed paper*
- *When you perform other operations such as loading/replacing roll paper*

To ensure safety, unplug this product before leaving it unused for an extended period.

Caution Labels

The caution labels on the product indicate the following precautions.



CAUTION:

The thermal head can be very hot during printing and immediately after printing. Touching it may cause burns.

Restriction of Use

When this product is used for applications requiring high reliability/safety, such as transportation devices related to aviation, rail, marine, automotive, etc.; disaster prevention devices; various safety devices, etc.; or functional/precision devices, etc.; you should use this product only after giving consideration to including fail-safes and redundancies into your design to maintain safety and total system reliability. Because this product was not intended for use in applications requiring extremely high reliability/safety, such as aerospace equipment, main communication equipment, nuclear power control equipment, or medical equipment related to direct medical care, etc., please make your own judgment on this product's suitability after a full evaluation.

Unpacking

Check whether the following items are included. If any items are damaged, contact your dealer.

- Printer
- Roll paper*
- Power switch cover
- Wire saddle
- Roll paper spacer
- Control panel label for horizontal installation
- Paper exit guide for horizontal installation
- Screw for installation of the roll paper spacer
- AC adapter
- AC cable
- User's Manual (this)

** May not be included depending on the printer model.*

Downloading Utilities and Manuals

The latest versions of utilities and manuals can be downloaded from one of the following URLs.

For customers in North America, go to the following web site:

<http://www.epson.com/support/>

For customers in other countries, go to the following web site:

<http://download.epson-biz.com/?service=pos>

Printer Parts

See Illustrations **A**.

Control Panel

See Illustrations **A 2**.

FEED button

Feeds the roll paper.

PAPER OUT LED

Lights when roll paper is out.

ERROR LED

Off when the printer is online, lights when the printer is offline, and flashes when an error occurs.

POWER LED

Lights when the power is on, and is off when the power is off.

Attaching Cover on the Power Switch

The enclosed power switch cover ensures that the power switch is not pressed accidentally. You can turn the power switch on and off by inserting a pointed object such as a ballpoint pen in the holes in the power switch cover. See illustration **B**.



WARNING:

If an accident occurs with the power switch cover attached, unplug the power cord immediately. Continued use may cause fire or shock.



CAUTION:

Do not remove the power switch waterproof cover.

Installing the Printer Vertically or Horizontally

You can install the printer vertically (with the paper exit at the front) by hanging it on a wall, using the optional WH-10 hanging bracket set or horizontally on a flat surface (with the paper exit on top).



WARNING:

When hanging the printer on the wall with the hanging bracket set, be sure to attach a connector cover to the printer.

When you install the printer horizontally, attach the control panel label (See illustration **C** and **D**) and position the roll paper near-end sensor as shown in the illustrations. To move the sensor, follow the steps below and see illustration **E**.

1. Loosen the screw with a coin or similar tool and turn it at least 3 or 4 times.
2. Turn the lever to move the sensor in the direction of the arrow in illustration until the sensor comes out from another hole near the bottom of the printer.
3. Tighten the screw and make sure the lever moves smoothly.

Changing the Paper Width

This printer accommodates 80 mm wide roll paper with no adjustments. For rolls from 38 mm to 70 mm wide, use the roll paper spacer included with the printer. (If the rolls are from 61 to 70 mm wide, break two tabs off the back of the roll paper spacer. (You can still use widths from 38 mm to 60 mm with the roll paper spacer with the tabs broken off. See illustration **F**) Follow the steps below to attach the roll paper spacer.

1. Open the roll paper cover.
2. Insert the roll paper spacer so that the front edge goes through the notch; then push down the spacer so that the hook on the spacer and the shaft align. See illustration **G**.
3. Push the roll paper spacer until you feel it clicks onto the shaft. Check that the roll paper spacer slides smoothly to the left and right.
4. Slide the roll paper spacer to the appropriate width. You can use the ruler printed inside the printer, aligning the inside edge of the spacer with the desired measurement. See illustration **H**.

Tighten the spacer with the screw included with the spacer as shown in illustration. (Although there are two holes, this is the only one to put the screw in.)

Notes on Changing the Paper Type

This printer is set to use the paper layout for the bundled label roll paper (or receipt paper). In some cases, changing the paper type may cause an error. Follow the steps below to fix the error and set the new paper layout. (When an error occurs, the ERROR LED flashes twice repeatedly.)

Steps to fix Errors

While the ERROR LED is flashing twice repeatedly,

1. Open the roll paper cover.
2. Load a roll of paper to use.
3. Close the roll paper cover. The roll paper is fed automatically, the error is fixed, and the paper layout is set automatically.

 **Note:**

When using black mark die-cut label paper, you may not be able to use the paper normally even if you follow the steps above. In this case, set the paper layout with the memory switch setting utility. See the TM-L90 Technical Reference Guide for details.

See the TM-L90 Technical Reference Guide also for how to use the product and detailed product specifications. Go to <http://www.epson.com/support/> to download the memory switch setting utility and TM-L90 Technical Reference Guide.

Connecting Cables

1. Place the printer and pull the cover in the direction of the arrow in the illustration **I** to remove the cover.
2. Break off by hand any of the three portions indicated by circles in illustration **J** to pass the cables through.
3. Connect the cables to the printer.
4. Attach the cover while passing the cables through the holes.

Wire Saddle

To prevent the USB cable from coming off the connector, attach the enclosed wire saddle (**K 23**) to the printer. See illustration **K**.

Attaching the Paper Exit Guide

When you use the printer horizontally, peel off the backing sheet of the paper exit guide and attach it as shown in illustration **L** to prevent the paper cut by the autocutter from falling inside the printer.

 **Note:**

When using a roll paper that has a paper core smaller than the specified (internal diameter: 25.4 mm {1"}, external diameter: 31.4 mm {1.24"}), do not use the paper guide, or paper jam may result.

Installing the Roll Paper

1. Lift the cover open lever indicated by the arrow in illustration and open the roll paper cover. See illustration **M**.
2. Remove the used roll paper core, if any.
3. Install the roll paper in the correct direction. See illustration **N**.
4. Pull out some roll paper, so that the paper is set between the paper guides. See illustration **O**.
5. Close the roll paper cover and tear off the roll paper. See illustration **P** and **Q**.

 **Note:**

Be sure to use the roll paper that meets the specifications.

Cleaning

Cleaning the Printer Case

When cleaning the printer case, be sure to turn off the printer, and wipe the dirt off the printer case with a dry or damp cloth.

 **CAUTION:**

Never clean the product with alcohol, benzene, thinner, or other such solvents. Doing so may damage or break the parts made of plastic and rubber.

Cleaning the Thermal Head

 **CAUTION:**

After printing, the thermal head can be very hot. Do not touch it and to let it cool before you clean it. Do not damage the thermal head by touching it with your fingers or any hard object.

Turn the printer off and open the printer cover. Clean the thermal elements of the thermal head with a cotton swab moistened with an alcohol solvent (ethanol or IPA). See illustration **R**.

Epson recommends cleaning the thermal head periodically (generally every 3 months) to maintain receipt print quality.

Troubleshooting

Printout is faint

When printout is faint, adhesive glue or another foreign substance may be present on the thermal head, platen roller, or paper path of the printer.

In such case, first clean the thermal head by following the instructions described in “Cleaning the Thermal Head” on page 12.

If the print quality does not improve, clean the platen roller and paper path of the printer by following the instructions described in “Cleaning the Thermal Head” on page 12.

ERROR LED on or flashing

- ❑ Check to see that the roll paper cover is closed and check the PAPER OUT LED. Close the cover or replace the roll paper if necessary.
- ❑ If the printer has been printing a lot, the thermal head may be hot. Wait for the head to cool. Printing will resume automatically.
- ❑ Open the roll paper cover, and check to see if the paper is jammed. If a paper jam occurs or if the roll paper cover will not open, see the section below.
- ❑ Turn the printer off and back on. If the LED is still flashing, notify your manager. The printer may require servicing.

Paper jam

Turn off the power and open the roll paper cover to remove the jammed paper. After that, install the roll paper correctly. If the roll paper cover will not open, see the section below.

If glue or another foreign substance is present on the autocutter blade, platen roller, or the paper path, a paper jam is likely to occur. See “Cleaning the Thermal Head” on page 12 for cleaning instructions.

The roll paper cover will not open

Follow the steps below when the roll paper cover will not open.

1. Turn off the printer.
2. Insert a tool such as a screwdriver into the slots on both sides of the printer, and lift the cover in the direction of the arrow in illustration **S** to remove it.
3. Turn the knob in the direction of the arrow in illustration **T**, by using a ballpoint pen or tweezers, until you see a triangle mark in the opening.

TM-L90 Specifications

Print method	Thermal line printing
Dot density	203 dpi × 203 dpi [dots per 25.4 mm {1"}]
Print width	72 mm {2.84"}, 576 dot positions (receipt paper roll with 80 mm width)
Paper dimensions	80mm: 79.5 ± 0.5 max 90 mm 60mm: 59.5 ± 0.5 max 90 mm 58mm: 57.5 ± 0.5 max 90 mm
Thermal paper type	Roll paper: Monochrome: ENTPD, ENTPE Label paper: Monochrome: ENTLA series
Interface (compatible)	Serial (RS-232)/Parallel (IEEE 1284)/USB [Compliance: USB 2.0, Communication speed: Full-speed (12 Mbps)]/Ethernet (10BASE-T/100BASE-TX)/Wireless (IEEE802.11a/b/g/n)
Power supply*	DC + 24 V ± 7%
Current consumption	1.8 A
Temperature	Operating: 5 to 45°C {41 to 113°F} Storage: -10 to 50°C {14 to 122°F}, except for paper
Humidity	Operating: 10 to 90% RH Storage: 10 to 90% RH, except for paper
Overall dimensions	148 × 140 × 203 mm {5.83 × 5.51 × 7.99"} (H × W × D)
Weight (mass)	Approximately 1.9 kg {4.19 lb}

dpi: dots per 25.4 mm (dots per inch)

- *: Be sure to use a safety-standards-applied power source that meets the following specifications.
Rated output: 24 V/2.0 - 10.0 A, Maximum output: 240 VA or less

中文（繁體）

圖示

所有圖示登載於本手冊的開頭部份。這些圖示以文字（A、B、C...）識別。..部份圖示中有數字。數字含義請參照以下列單。本文跟文字與數字有關。例如，“請參照圖示 A”或“請參照 A 6。”（“A 6”意味著圖示中的數字 6 A。）

圖示 A:

1. 電源開關
2. 控制面板
3. 開蓋桿
4. 紙卷蓋
5. 手動裁刀
6. 裁刀蓋

圖示 B:

7. 電源開關蓋
8. 電源開關防水蓋

圖示 C:

9. 控制面板標籤

圖示 D

10. 槓桿
11. 螺絲
12. 通孔

圖示 F:

13. 紙將盡感應器
14. 調節片

圖示 G:

15. 槽口
16. 前端邊緣
17. 紙捲墊片

圖示 H:

18. 卡鉤
19. 軸
20. 螺絲
21. 標尺
22. 內側邊緣

圖示 I

23. 馬鞍型夾線套

圖示 L:

24. 出紙導板

圖示 M

圖示 N

圖示 O:

25. 紙捲導板

圖示 P

圖示 Q

圖示 R:

26. 熱感印字頭

圖示 S:

27. 槽

圖示 T:

28. 三角形標誌
29. 旋鈕

警告使用者：

此為甲類資訊技術設備，於居住環境中使用時，可能會造成射頻擾動，在此種情況下，使用者會被要求採取某些適當的對策。

本公司保留本文件之所有權利。若未事先獲得 Seiko Epson Corporation 之書面同意，本文件之任何部份不得複製、存放於可讀取系統或以任何形式傳送，如機械、影印、錄影等。使用本手冊所含資料不須負擔專利責任。本手冊經本公司審慎編寫，但若有錯誤或遺漏時，本公司亦不予負責。因使用本手冊所含資料而產生之損壞，本公司亦不予負責。

本產品購買人或第三者因為意外事故、誤用或濫用本產品、未經授權而改裝、修理、或變更本產品、未嚴格遵守本公司操作與維護說明，因而發生損壞、損失或費用，則本公司與關係企業均不予負責。

因使用非 Epson 指定之原廠產品或本公司認可之任何選購品或耗材，而發生任何損壞或問題，本公司不予負責。

EPSON 為精工愛普生公司之註冊商標。Exceed Your Vision 為精工愛普生公司之註冊商標或商標。

所有其他商標均為其各自所有者之財產，僅供識別之用。

告誡：本說明書之內容如有更改，恕不另行通知。

©Seiko Epson Corporation 2013-2017 版權所有。

重要安全資訊

這一部分介紹有關確保本產品的安全和有效使用的重要資訊。請仔細閱讀此部分，並將其保存在便於拿到的地方。

主要標識

本手冊中的標識，根據重要程度而分別為下等級。在使用產品之前，請仔細閱下內容。



警告：

必須小心遵守警告事項，以免受傷。



注意：

必須小心注意事項，以免使用者自己受傷、損傷機器或資料丟失。



註釋：

註釋裡有重要資訊及操作機器時有用的消息。

安全防範



警告：

如果發生冒煙、異常氣味、或者不尋常的噪音時，請立即關閉機器。繼續使用可能會引起火災。請立即拔除電源，並與經銷商或愛普生服務中心聯繫取得處理辦法。

請勿試圖自己進行印表機的維修。不正確的維修是很危險的。

請勿自行拆卸或改裝。不正確的動作會引起受傷或火災。

請務必使用符合規格的電源。連接不正確的電源可能會導致火災。

請務必避免任何異物落入印表機內，以免導致火災。

如果有水或其他液體濺入印表機內部，請立即拔除電源線，並與經銷商或 Seiko Epson 服務中心聯繫取得處理辦法。繼續使用可能會導致火災。

請勿在本產品內部或其周圍使用可燃性氣體的噴霧器。否則可能造成火災。

請勿將電話線連接至錢箱彈出連接器，否則印表機與電話可能受到損壞。

請使用遮蔽電纜，將其作為錢箱連接器專用電纜。



注意：

請勿透過在本手冊中未提及的方法連接電纜。不同的連接方式可能會使印表機損壞或者引起火災。

請務必將印表機安裝在穩固且穩定的水平表面上。如果印表機掉落，則可能會導致毀壞或受損。

請勿在潮濕或灰塵多的地方使用印表機。過度的潮濕和過量的灰塵可能使得印表機損壞或發生火災。

請勿在本產品上放置任何重物。請勿站在本產品上或者靠在本產品上。否則可能會使印表機摔落或被壓壞，導致毀壞和受損。

請注意不要觸摸手動裁刀，以免手指受傷。

- 移除已列印的紙張時
- 執行其他操作（如將紙捲置入或更換紙捲）時

為保證安全，長時間不使用印表機時，請將印表機的電源線拔出。

注意標籤

本產品上的注意標籤表示下列注意事項。



注意：

熱感印字頭在列印中與列印後會變得非常燙。如果觸摸它，可能造成燙傷。

使用限制

將本產品用於被要求高可靠性 / 安全性的用途（如與飛機、列車、船舶、汽車等有關的運輸裝置、防災防盜裝置、各種安全裝置等或者功能性 / 精密裝置等）時，為維持安全與系統整體的可靠性，應該在採取失誤安全設計及複聯設計等措施後使用本產品。本產品不適用於航空設備、主要通訊設備、原子能控制設備或直接與治療有關的醫療器材等需具備高可靠性與安全性的用途。請在充分進行評價後，判斷本產品的適用性。

開箱

請確認本產品是否包含下列項目。如果有任何項目受到損壞，請與經銷商聯繫。

- 印表機
- 紙卷 *
- 電源開關蓋
- 馬鞍型夾線套
- 紙捲墊片
- 水平安裝用控制面板標籤
- 水平安裝用出紙導版
- 用於安裝紙卷墊片的螺絲
- 電源供應器
- 電源線
- 用戶手冊（本手冊）

* 某些型號的印表機中可能沒有。

下載應用程序與操作手冊

最新版本的應用程序與操作手冊可以從下列 URL 下載。

<http://download.epson-biz.com/?service=pos>

印表機零件

請參照圖示 A。

控制面板

請參照圖示 A 2。

送紙（FEED）鍵

送入紙捲。

缺紙（PAPER OUT）指示燈

紙捲用盡時亮起。

錯誤（ERROR）指示燈

印表機上線時熄滅，離線時亮起，而發生錯誤時閃爍。

電源（POWER）指示燈

電源打開時亮起，而關閉時熄滅。

安裝電源開關蓋

附帶的電源開關蓋是為了防止意外按下電源開關。

在電源開關蓋內的孔中插入原子筆等尖頭物體，以打開和關閉電源開關。請參照圖示 **B**。



警告：

在電源開關蓋蓋上的狀態下發生任何故障時，請立即拔出電源線。繼續使用有可能導致火災或觸電。



注意：

請勿去掉電源開關的防水罩。

水平或垂直安裝印表機

可透過使用選購品 WH-10 吊掛配件（紙從上端送出）把印表機掛在牆上，或者可以把印表機水平安裝在平面上（紙從前端送出）。



警告：

使用了吊掛配件來掛在牆上時，請務必裝上插槽蓋。

對印表機進行水平安裝時，請將控制面板標籤（請參照圖示 **C** 與 **D**）貼上並將紙將盡感應器設置在適當位置，如圖示。要移開該感應器時，請依照以下步驟進行並參照圖示 **E**。

1. 使用硬幣或類似工具放鬆螺絲，並將其旋轉最少 3 或 4 次。
2. 轉動槓桿來使該感應器向圖示中箭頭方向移開，直到感應器從印表機底面附近的另一個洞孔中出現為止。
3. 將螺絲旋緊並確認槓桿流暢地動作。

更改紙寬

本印表機在沒有調整的狀態下可容納紙寬 80 mm 紙捲。對於紙寬 38 mm 至 70 mm 的紙捲，請使用包含在本印表機的紙捲墊片。（如是紙寬 61mm 至 70 mm 的紙捲，請拆掉在紙捲墊片背面的 2 個調節片。（拆掉紙捲墊片的調節片後，您還可使用紙寬 38 mm 至 60 mm 的紙捲。請參照圖示 **F** 請依照以下步驟安裝紙捲墊片。

1. 打開紙捲蓋。
2. 插入紙捲墊片，以便前端邊緣穿過槽口。然後，按壓墊片，以便墊片上的卡鉤與軸對上。請參照圖示 **G**。
3. 押下紙捲墊片，直到您感到其在軸上發出喀嚓一聲。確認紙捲墊片是否流暢地向左右滑動。
4. 將紙捲墊片滑動至適當寬度。您可使用列印在印表機內側的標尺，將墊片的內側邊緣與所需要的尺寸對上。請參照圖示 **H**。
如圖所示，使用包含在墊片的螺絲旋緊墊片。（雖然有 2 個孔，僅在一個孔中放入螺絲。）

變更紙捲種類時的注意事項

本印表機的設定是為使用紮成一捆的標籤紙捲（或收據用紙）用頁面排版。在有些情況下，變更紙捲種類可能發生錯誤。請依照以下步驟修改錯誤並設定新的頁面排版。（發生錯誤時，錯誤（ERROR）指示燈反覆地閃爍兩次。）

修改錯誤的步驟

在錯誤（ERROR）指示燈反覆地閃爍兩次時，

1. 打開紙捲蓋。
2. 裝入所要使用的紙捲。
3. 蓋上紙捲蓋。自動送出紙捲表示錯誤已被修改並已自動設定頁面排版。

註釋：

使用黑標刀模標籤紙時，即使依照上述步驟進行，也不能正常使用該紙。在此情況下，請使用記憶開關設定用應用程式來設定頁面排版。詳細內容請參照 TM-L90 技術參考指南。

本產品的使用方法與詳細產品規格也請參照 TM-L90 技術參考指南。請訪問 <http://download.epson-biz.com/?service=pos> 下載記憶開關設定用應用程式與 TM-L90 技術參考指南。

連接線

1. 安置印表機，然後將紙捲蓋向在圖示 I 中的箭頭方向拖拉以拆下紙捲蓋。
2. 用手拆掉以圖示 J 中圓圈所示的 3 個部份，以便穿過電纜。
3. 將電纜連接至印表機
4. 在將電纜穿過通孔的狀態下，安裝紙捲蓋。

馬鞍型夾線套

請將附帶的馬鞍型夾線套（K 23）安裝在印表機上，以防 USB 電纜從插槽脫落。請參照圖示 K。

安裝出紙導板

在水平使用印表機時，請去掉出紙導板的背紙並依照圖示 L 所示將其安裝，以防止被自動裁紙刀切割的紙落入印表機內。

註釋：

使用紙芯小於規格值（內徑：25.4 mm {1"}，外徑：31.4 mm {1.24"}）的紙捲時，請勿使用紙捲導板，否則可能導致卡紙。

安裝紙捲

1. 抬起以圖示中箭頭所示的開蓋桿，打開紙捲蓋。請參照圖示 M。
2. 若有，拿出用過的紙捲芯。
3. 按正確方向安裝紙捲。請參照圖示 N。
4. 拉出一些紙，以便使紙被夾在導板之間。請參照圖示 O。
5. 蓋上紙捲蓋並將露出的紙撕掉。請參照圖示 P 與 Q。

註釋：

請務必使用符合規格的紙捲。

清潔

清潔印表機殼

清潔印表機殼時，請務必關閉印表機，並用乾布或微濕的布擦去印表機殼上的髒污。



注意：

切勿使用酒精、汽油、稀釋劑或其他溶劑來清潔設備。否則可能使塑膠和橡膠部件損壞或斷裂。

清潔熱感印字頭



注意：

熱感印字頭在列印後會變得非常燙。請勿觸碰，應待其冷卻後再進行清潔。請勿以手指或其他硬物碰觸以免損壞熱感印字頭。

關閉印表機並打開印表機殼。使用沾有稀釋酒精（乙醇或異丙醇）的棉花棒清潔熱感印字頭感熱元件。請參照圖示 R。

Epson 建議定期清潔熱感印字頭（通常每三個月一次），以保證收據的列印品質。

故障排除

列印模糊不清

列印模糊不清時，可能在印表機的熱感印字頭、壓紙滾筒、或紙張路徑上存在黏著劑或其它異物。

此時，首先按照在第 20 頁的“清潔熱感印字頭”中的說明清潔熱感印字頭。

若印表的品質沒有改善，按照第 20 頁的“清潔熱感印字頭”中的說明清潔壓紙滾筒與紙張路徑。

錯誤（ERROR）指示燈亮起或閃爍

- 請確認紙捲蓋關閉情況以及 缺紙（PAPER OUT）指示燈。若需要，請關上蓋或更換紙捲。
- 若印表機的列印數量較多，熱感印字頭會變得非常燙。請等待印字頭冷卻。將會自動繼續進行列印。
- 請打開紙捲蓋並確認是否有卡紙。若發生卡紙或打不開紙捲蓋，請參照下一部份。
- 關閉印表機並重新打開電源。若指示燈仍在閃爍，請通知管理員。印表機可能需要維修。

卡紙

請關閉電源並打開紙捲蓋來取出卡住的紙。之後，請正確地安裝紙捲。若打不開紙捲蓋，請參照下一部分。

若在自動裁紙刀、壓紙滾筒或紙張路徑上存在黏著劑或其它異物，容易發生卡紙。清潔說明請參照第 20 頁的“清潔熱感印字頭”。

打不開紙捲蓋

打不開紙捲蓋時，請按照下列步驟實施。

1. 關閉印表機。
2. 將螺絲刀等工具插入印表機兩側的槽，向圖示 S 中的箭頭方向抬起並拆下紙捲蓋。
3. 使用原字筆或鑷子向圖示 T 中的箭頭方向轉動旋鈕，直到在開口處看到一個三角形標誌為止。

TM-L90 規格

列印方式	熱感式印表機
點密度	203 dpi × 203 dpi [點 /25.4 mm {1" }]
列印寬度	72 mm {2.84"}, 576 點 (紙寬 80 mm 的收據用紙捲)
紙張尺寸	80mm : 79.5 ± 0.5 最大 90 mm 60mm : 59.5 ± 0.5 最大 90 mm 58mm : 57.5 ± 0.5 最大 90 mm
感熱紙種類	紙捲：單色：ENTPD, ENTPE 標籤用紙：單色：ENTLA 系列
介面 (兼容)	序列 (RS-232) / 並列 (IEEE 1284) / USB [兼容：USB 2.0, 通訊速度：全速 (12 Mbps)] / 乙太網路 (10BASE-T/100BASE-TX) / 無線 (IEEE802.11a/b/g/n)
電源 *	DC + 24 V ± 7%
電流損耗	1.8 A
溫度	操作中：5 至 45°C {41 至 113°F} 存儲中：-10 至 50°C {14 至 122°F}, 除紙張以外
溼度	操作中：10 至 90% RH 存儲中：10 至 90% RH, 除紙張以外
外部尺寸	148 × 140 × 203 mm {5.83 × 5.51 × 7.99"} (高 × 寬 × 長)
重量 (質量)	大約 1.9 kg {4.19 lb}

dpi: 點 /25.4 mm (每英寸內的點數)

*: 請務必使用符合下列規格且滿足安全標準的電源。

額定輸出：24 V/2.0 - 10.0 A，最大輸出：240 VA 或以下

其他資訊

製造年份及製造號碼：見機體標示

生產國別：見機體標示

製造商：SEIKO EPSON CORPORATION

地址：3-5, Owa 3-chome, Suwa-shi, Nagano-ken 392-8502, Japan

電話：81-263-52-2552

進口商：台灣愛普生科技股份有限公司

地址：台北市信義區松仁路 7 號 14 樓

電話：(02) 8786-6688 (代表號)

Printed in China