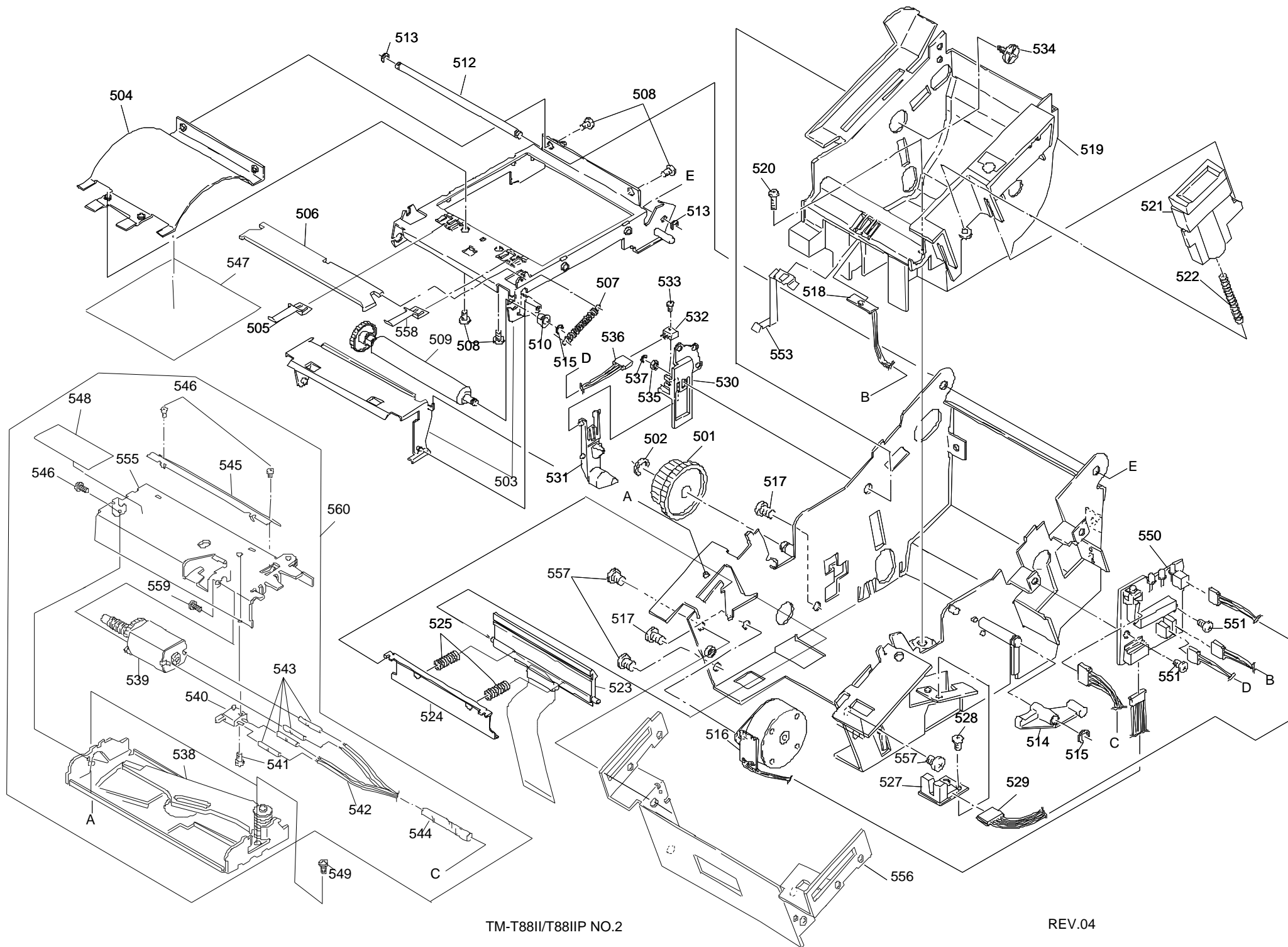
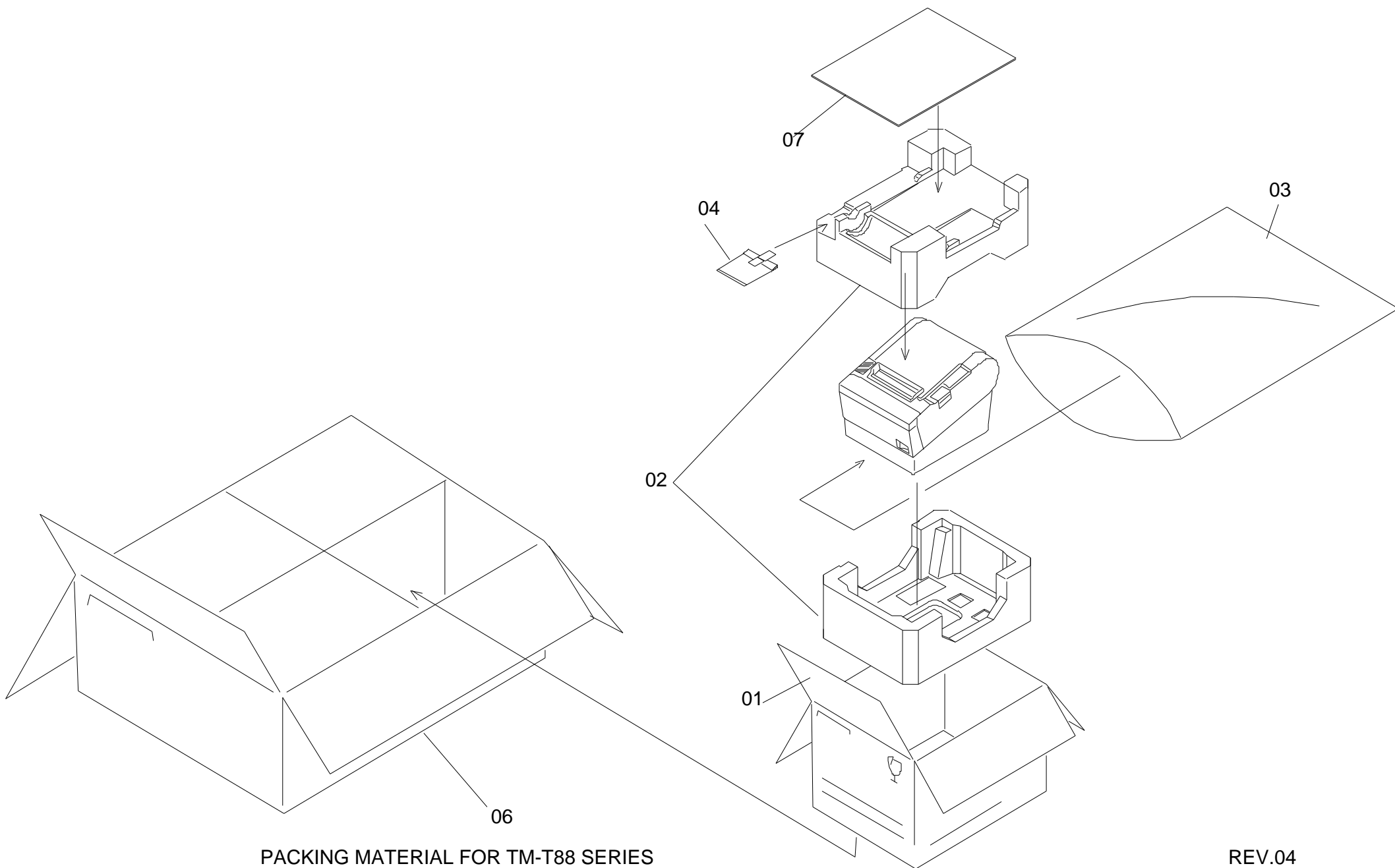


EXPLODED DIAGRAM FOR TM-T88II NO.1 REV. 2





PACKING MATERIAL FOR TM-T88 SERIES

REV.04