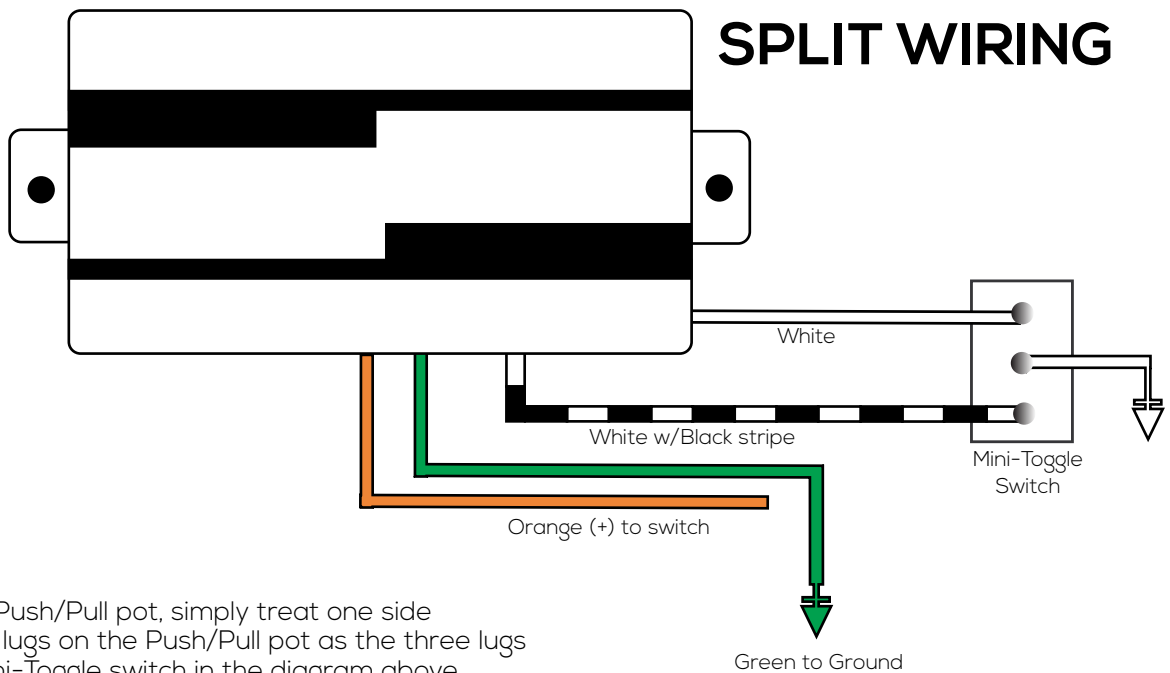
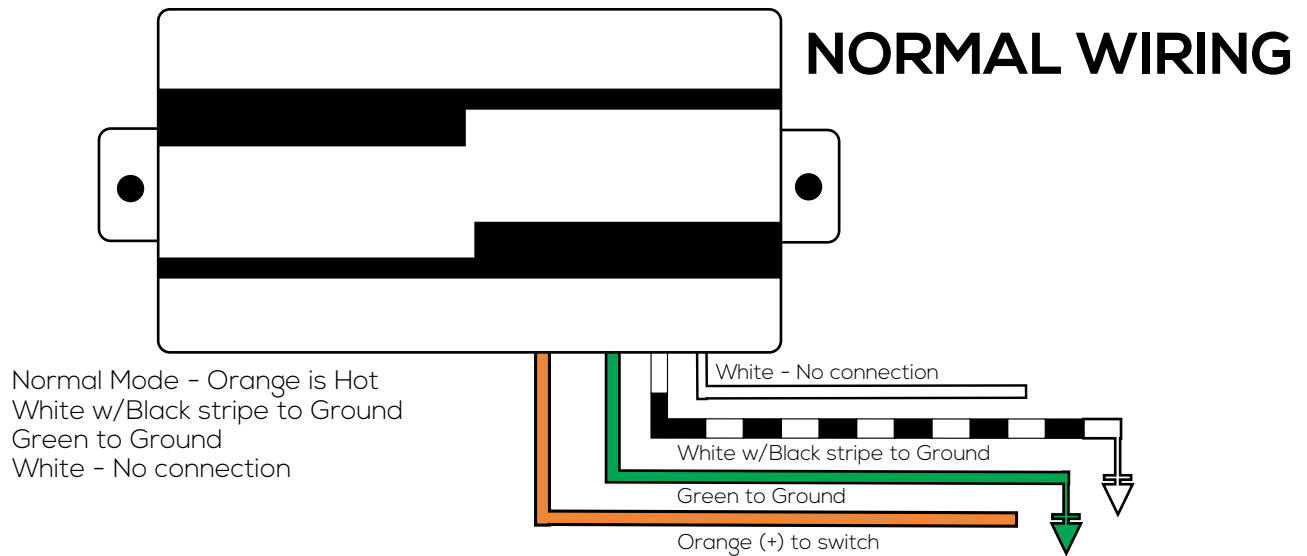


WIRING DIAGRAM FOR SPLITTABLE ALUMITONE

Note: All Lead wires are on the same side as the high "E" lead string.

250k pots recommended for better tone.
.022 mfd cap recommended



To use a Push/Pull pot, simply treat one side of the six lugs on the Push/Pull pot as the three lugs of the Mini-Toggle switch in the diagram above.