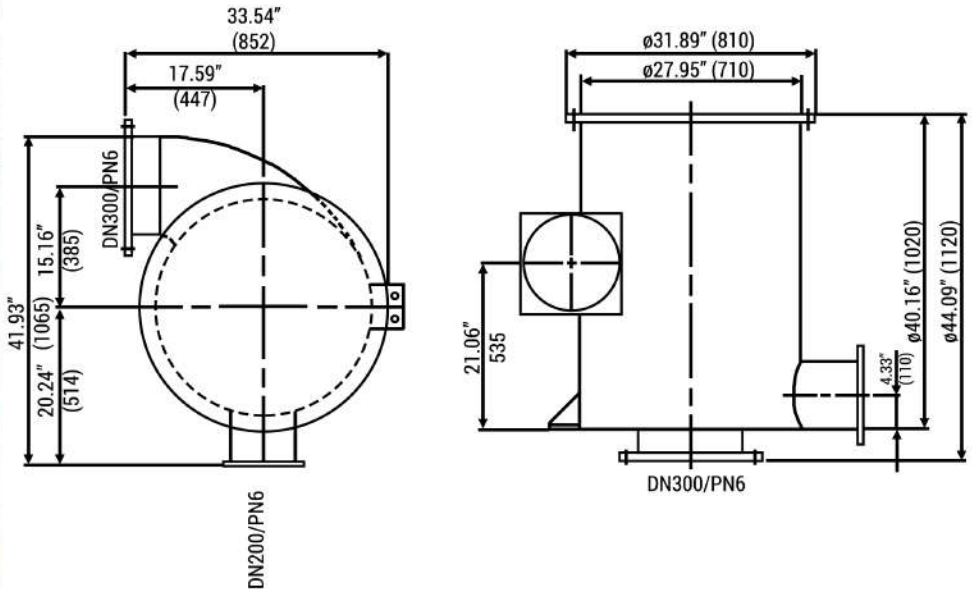


The **WFF 300 STAINLESS STEEL VORTEX FILTER** combines all advantages of the WFF 300 VORTEX FILTER and can withstand a **maximum pressure build-up of 87 PSI** as a new feature. It is the only commercial vertical Rainwater Filter made in the world and provides the highest quality of rainwater with minimal maintenance due to its ability to self-clean via a constant discharge of dirt and debris from the filter during rain events. The **maximum flow rate** is about **1,277 GPM**, making it suitable for roof areas up to 33,000 square feet.

Below are the dimensions and the specifications for the WISY WFF300 Stainless Steel Vortex Filter:



NOTE: DIMENSIONS IN PARENTHESIS ARE MILLIMETERS



Regularly Furnished:

Stainless Steel Housing, Stainless Steel Fine Mesh Filter (mesh size 380 micron), and filter insert lifting handle

Additional Components Available:

WFF 300 Gold Titan Filter

NOTE: All STAINLESS STEEL VORTEX FILTERS must be installed level and plumb for proper operation. In difference to the WFF 300 Vortex Filter, the relative angle between the inlet to the outlet cannot be changed. Velocity of incoming water shall be less than 5.3 feet per second. Straight pipe with minimum length of 10' (3 m) must be installed upstream of the filter inlet.

Rainwater Management Solutions
2550 Shenandoah Ave NW
Roanoke, VA 24017

FUNCTION: The WISY WFF 300 STAINLESS STEEL Vortex Filter is used where multiple downspouts are connected together by a single conveyance pipe that gravity feeds the vortex filter to **remove debris or particulate larger than 380 microns**.

Since the filter works on adhesive action, there are **no baskets to clean** or additional sprayers that require water and electricity necessary to “rinse” the filter. However, the filter should be inspected two to three times a year to ensure that the natural flow of water in the filter is not obstructed.

The WISY WFF 300 STAINLESS STEEL Vortex Filter is **the only commercial vertical Rainwater filter** in the world and provides the highest quality of rainwater with minimal maintenance. Because of the vertical design, the filter has a **self-cleaning effect** so dirt and debris are automatically discharged from the filter along with excess water necessary to carry debris to storm or grade.

Since the Vortex Filter is part of the conveyance system used to remove rainwater from a roof area, the filter must be sized according to flow rates to ensure safe roof drainage is achieved. See the Flow Rate Table below to determine the correct size filter of your rainwater harvesting system.

FACTS:

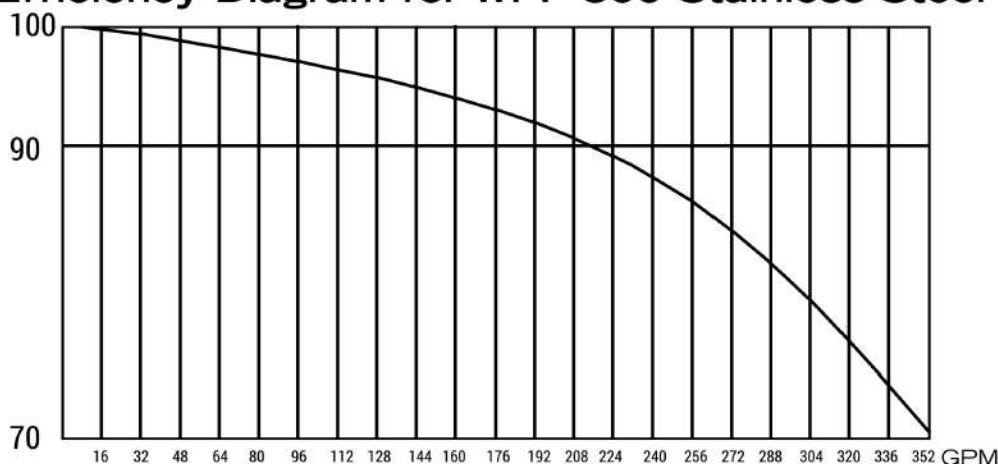
MAXIMUM PRESSURE:	87 PSI
MAXIMUM FLOW RATE:	1,277 GPM
MAXIMUM ROOF AREA:	33,000 FT ²
ITEM NUMBER:	WF 3030

FILTER MESH SIZE:	380 microns
-------------------	-------------

FLANGE CONNECTIONS

WATER INLET:	DN300
CLEAN WATER OUTLET:	DN200
DIRTY WATER OUTLET:	DN300

Efficiency Diagram for WFF 300 Stainless Steel



* On a yearly average 90% of all incoming water will be filtered. The remaining 10% enables the self-clean effect of this filter.

This value varies depending on the individual rainfall event. The chart to the left shows the efficiency of the WFF 300 STAINLESS STEEL Vortex Filter at different flow rates. The calculative flow rate is 200 GPM (13 liters per second).