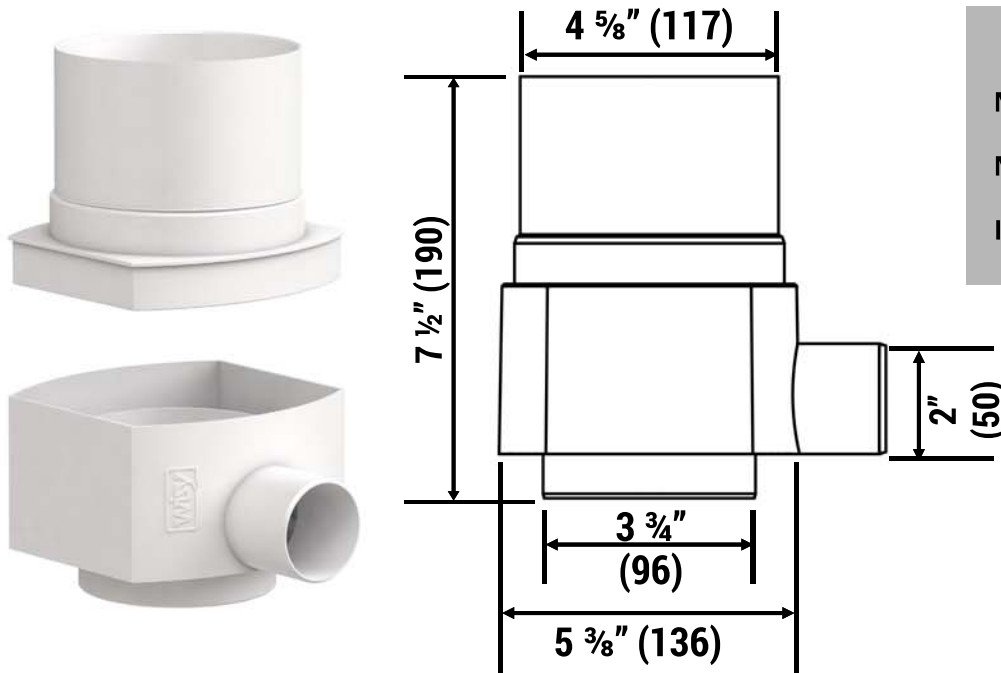




The **RAIN CATCHER RC** connects to a single vertical, rainwater downspout and can divert precipitation for storage in a barrel or tank. The diverter requires minimal maintenance and separates leaves, moss, insects and other coarse materials directly through the downspout to the drain. The housing is made of UV-resistant polypropylene and has a maximum flow rate of about **65 GPM**. It is suitable for a roof area of up to **1,600 square feet**.

Below are the dimensions and the specifications for the Rain Catcher RC:



(Dimensions in parentheses are millimeters)

FACTS:

Maximum Flow Rate:	65 GPM
Maximum Roof Area:	1,600 FT ²
Item-No:	RC0110



Regularly Furnished:

- UV-Resistant Polypropylene Housing (includes: Casing Cap, Casing)

Additional Components Available:

- 2" x 3" or 3" x 4" Downspout Kit
- 1" Flexible Hose with 2" Connection for Downspout Filter Mounting Kit

Installation Note:

- Must be mounted plumb and level
- Direct installation of 90° elbow or optional 1" flexible hose (with 2" connection) on 2" outlet
- Roof area above 1,600 ft² requires multiple Rain Catcher RC or use of larger capacity filter