

## SR560-HUB2



**Mounting Pattern**  
350 x 350mm  
(13.78" x 13.78")



**Max Load**  
65lb  
(29.5kg)

## SMARTMOUNT.

# Cart for the 50.5" Microsoft® Surface™ Hub 2S/2X

The Peerless-AV® SmartMount® Cart was designed to safely mount, move, and store the 50.5" Microsoft® Surface™ Hub 2S/2X. The cart is load rated up to 65lb, sits at Microsoft's recommended viewing height (55"), and offers vertical adjustment so the display can be positioned at incremental heights 48" to 60" from the floor. The design of the cart allows the display to rotate from landscape to portrait without interference. The cart also provides clearance to the removable compute cartridge so this can be upgraded without removing the display. Locking 4" casters provide a stable foundation for touch applications, while cable management channels completely hide the cabling inside the uprights. Ideal for corporate, education or hospitality applications, the SR560-HUB2 is the perfect mobile solution for the Microsoft® Surface™ Hub 2S/2X.

- Display can be located vertically along the column 48"-60" from the floor, adjusted in 3" increments
- Internal cable management protects, contains and conceals cables for a clean, professional installation
- Flat white powder coat finish complements the finish of the Microsoft® Surface™ Hub 2S/2X
- Dedicated mount fits the Microsoft® Surface™ Hub 2S/2X 350 x 350mm mounting pattern and includes the proper depth mounting bolts
- Corner bumpers prevent damage to doors and walls while moving or storing the cart



Please visit [peerless-av.com/en-us/patents](http://peerless-av.com/en-us/patents) for patent information.

## Model Numbers

**WARRANTY: Limited 5-year**

**SR560-HUB2** SmartMount® Cart for the 50.5" Microsoft® Surface™ Hub 2S/2X

## Product Specifications

	DIMENSIONS (W X H X D)	PRODUCT WEIGHT	LOAD CAPACITY	FINISH	AVAILABLE COLORS
SR560-HUB2	46.18" x 68.19" x 28.60" (1172 x 1732 x 726mm)	58.2lb (26.4kg)	65lb (29.5kg)	Flat Powder Coat	White

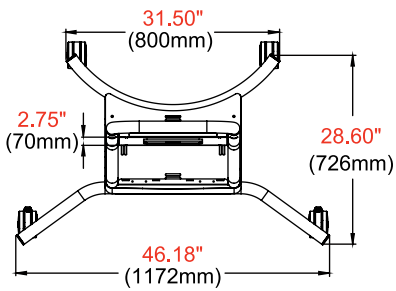
## Package Specifications

	PACKAGE SIZE (W x H x D)	PACKAGE SHIP WEIGHT	PACKAGE UPC CODE	PACKAGE CONTENTS	UNITS IN PACKAGE
SR560-HUB2	67.50" x 31.50" x 12.00" (1715 x 800 x 305mm)	85.5lb (38.8kg)	735029339205	Assembled Base, (2) Vertical Columns, (2) Swivel Casters, (2) Locking Swivel Casters, Bottom Shelf, Hardware and Instructions	1

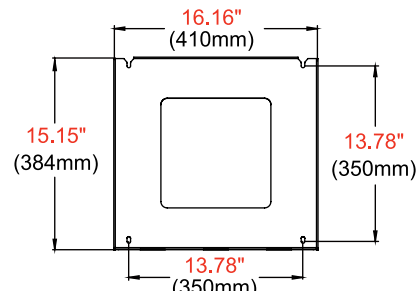
## Accessories

**ACC116:** Rear Facing Steel Shelf  
**ACC320:** Electrical Outlet Strip with Cord Wrap

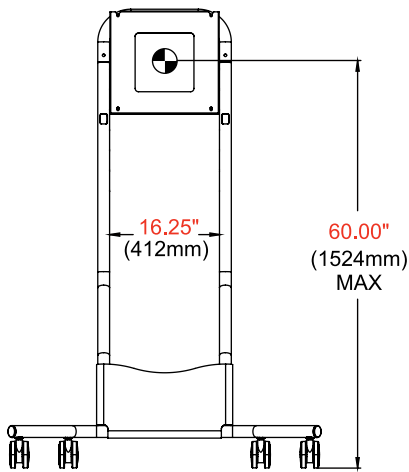
All dimensions = inch (mm)



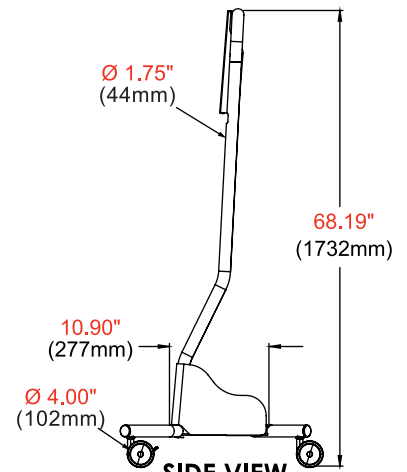
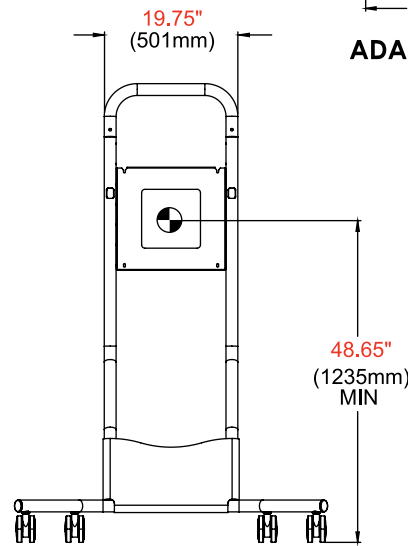
**TOP VIEW**



**ADAPTOR DETAIL**



**FRONT VIEW**



**SIDE VIEW**

## Architect Specifications

The SmartMount® Cart for the 50.5" Microsoft® Surface™ Hub 2S/2X shall be a Peerless-AV model SR560-HUB2 and shall be located where indicated on the plans. Assembly and installation shall be done according to instructions provided by the manufacturer.

Visit [peerless-av.com](http://peerless-av.com) to see the complete line of AV solutions from Peerless-AV, including outdoor displays, kiosks, digital audio, display mounts, projector mounts, carts/stands, and a full assortment of accessories.

**Peerless-AV**  
 2300 White Oak Circle  
 Aurora, IL 60502 USA  
**(800) 865-2112**  
**(630) 375-5100**  
**Fax: (800) 359-6500**

**Peerless-AV EMEA**  
 Unit 3 Watford Interchange  
 Colonial Way, Watford  
 Herts, WD24 4WP  
 United Kingdom  
**+44 (0) 1923 200100**  
**Fax: +44 (0) 1923 200101**

**Peerless-AV Latin America**  
 Av. de las Industrias 413  
 Parque Industrial Escobedo  
 General Escobedo, N.L.,  
 México, 66062  
**+52 (81) 8384-8300**  
**Fax: +52 (81) 8384-8360**



LIT-1794 Rev.1