

KOF-OPT-SPK



All Weather Rated



Speaker/Microphone Kit

FOR PEERLESS-AV® KOF555-1/2/3 OUTDOOR DIGITAL MENU BOARDS

Peerless-AV's drive-thru Speaker/Microphone Kit is an aesthetically pleasing audio solution designed exclusively for the KOF555-1/2/3 Outdoor Digital Menu Boards (ODMB). Whether used with the single, double, or triple ODMB model, this subsystem quickly and easily integrates with compatible drive-thru headset systems. The kit includes (2) Panasonic WX-CS560 speakers (one used as the speaker and the second as the microphone), a durably designed outdoor cabinet, and all the necessary fasteners. The WX-C560 is compatible with the Panasonic Attune, 3M™, and HME Drive-Thru Headset Systems. This speaker/microphone is designed to be flush with the front of the menu board screens to offer a clean finish.

- Modular mounting allows for simple attachment to KOF555-1/2/3 models
- Designed with depth adjustment to ensure placement is flush with the front of the menu board screen(s)
- Microphone sensitivity of 52dB to ensure clear communication with drive-thru customers



Peerless-AV® Outdoor Digital Menu Boards (KOF555-1/2/3) with Speaker/Microphone Kit (KOF-OPT-SPK)

Please visit peerless-av.com/en-us/patents for patent information.

Model Numbers

KOF-OPT-SPK Speaker/Microphone Kit for Peerless-AV® KOF555-1/2/3 Outdoor Digital Menu Boards

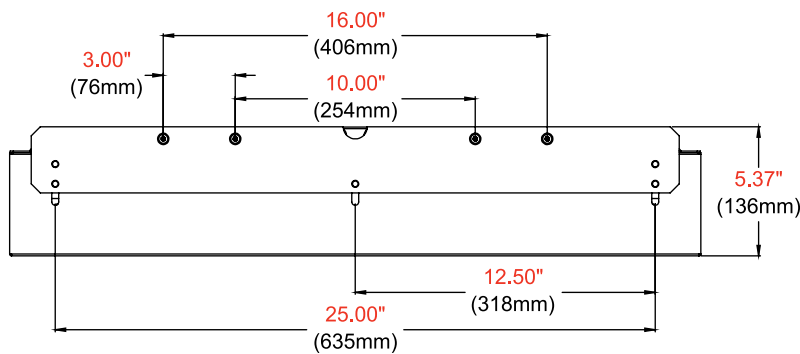
Product Specifications

MODEL NUMBERS	DIMENSIONS (W x H x D)	PRODUCT WEIGHT	FINISH	AVAILABLE COLORS
KOF-OPT-SPK	28.80" x 6.88" x 4.36" (732 x 175 x 111mm)	22.00 (9.97kg)	Textured	Black

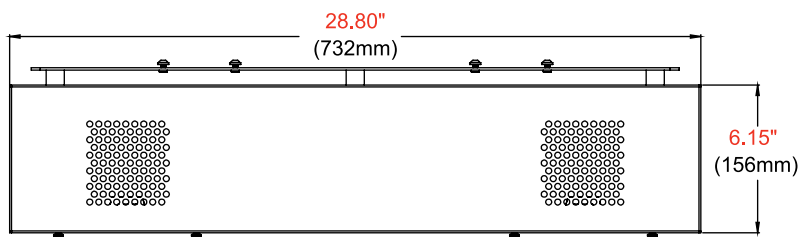
Package Specifications

MODEL NUMBERS	PACKAGE SIZE (W x H x D)	PACKAGE SHIP WEIGHT	PACKAGE UPC CODE	PACKAGE CONTENTS	UNITS IN PACKAGE
KOF-OPT-SPK	32.00" x 17.13" x 9.00" (813 x 436 x 229mm)	23.60lb (10.70kg)	735029344155	Assembly Materials and (2) Speakers/ Microphones	1

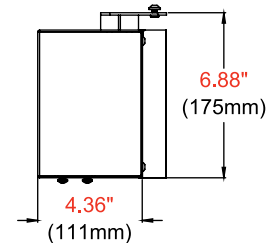
All dimensions = inch (mm)



TOP VIEW



FRONT VIEW



SIDE VIEW

Architect Specifications

The Speaker/Microphone Kit shall be a Peerless-AV® model KOF-OPT-SPK and shall be located where indicated on the plans. Assembly and installation shall be done according to instructions provided by the manufacturer.

Visit peerless-av.com to see the complete line of AV solutions from Peerless-AV, including outdoor displays, kiosks, display mounts, projector mounts, carts/stands, and a full assortment of accessories.

Peerless-AV
2300 White Oak Circle
Aurora, IL 60502 USA

(800) 865-2112
(630) 375-5100
Fax: (800) 359-6500

Peerless-AV EMEA
Unit 3 Watford Interchange
Colonial Way, Watford
Herts, WD24 4WP
United Kingdom
+44 (0) 1923 200100
Fax: +44 (0) 1923 200101

Peerless-AV Latin America
Av. de las Industrias 413
Parque Industrial Escobedo
General Escobedo, N.L.,
México, 66062
+52 (81) 8384-8300
Fax: +52 (81) 8384-8360

peerless-AV®
Driving Technology Through Innovation