

## KOF-OPT-FAN



# Media Player Storage Fan

FOR PEERLESS-AV® KOF555-1/2/3 OUTDOOR DIGITAL MENU BOARDS

Peerless-AV's Media Player Storage Fan is designed exclusively for the KOF555-1/2/3 Outdoor Digital Menu Boards (ODMB). When installed within the ODMB pedestal, the fan exhausts heat and helps to manage the internal temperature.

All Weather Rated



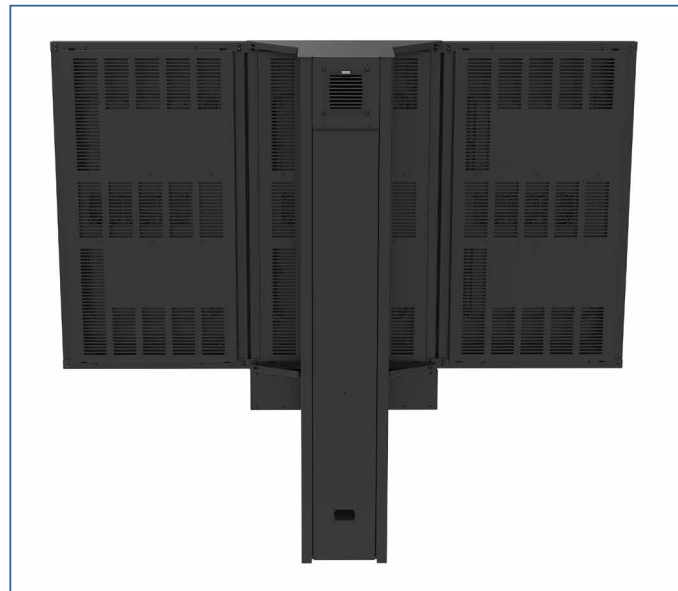
- When used in conjunction with the Internal Media Storage Shelf (KOF-OPT-SHELF), the Media Player Storage Fan's deflector plate helps to direct any water droplets toward the back door of the ODBM unit



Front View



Back view



Peerless-AV Outdoor Digital Menu Board (KOF555-3) with KOF-OPT-FAN

Please visit [peerless-av.com/en-us/patents](http://peerless-av.com/en-us/patents) for patent information.

## Model Numbers

**KOF-OPT-FAN** Media Player Storage Fan for Peerless-AV® KOF555-1/2/3 Outdoor Digital Menu Boards

## Product Specifications

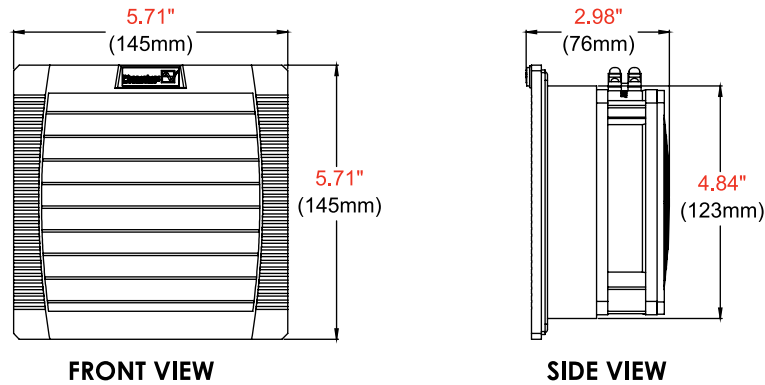
MODEL NUMBERS	DIMENSIONS (W x H x D)	PRODUCT WEIGHT	FINISH	AVAILABLE COLORS
KOF-OPT-FAN	5.71" x 5.71" x 2.98" (145 x 145 x 76mm)	2.30lb (1.00kg)	Matte	Black

## Package Specifications

MODEL NUMBERS	PACKAGE SIZE (W x H x D)	PACKAGE SHIP WEIGHT	PACKAGE UPC CODE	PACKAGE CONTENTS	UNITS IN PACKAGE
KOF-OPT-FAN	11.50" x 10.50" x 3.50" (292 x 267 x 89 kg)	2.70lb (1.22kg)	735029344131	Fan, Deflector Plate, Hardware	1

**Accessory**     **ACCK122:** 5pk Fan Filter Replacement

All dimensions = **inch** (mm)



## Architect Specifications

The Media Player Storage Fan shall be a Peerless-AV® model KOF-OPT-FAN and shall be located where indicated on the plans. Assembly and installation shall be done according to instructions provided by the manufacturer.

Visit [peerless-av.com](http://peerless-av.com) to see the complete line of AV solutions from Peerless-AV, including outdoor displays, kiosks, display mounts, projector mounts, carts/stands, and a full assortment of accessories.

**Peerless-AV**  
2300 White Oak Circle  
Aurora, IL 60502 USA  
  
**(800) 865-2112**  
**(630) 375-5100**  
**Fax: (800) 359-6500**

**Peerless-AV EMEA**  
Unit 3 Watford Interchange  
Colonial Way, Watford  
Herts, WD24 4WP  
United Kingdom  
**+44 (0) 1923 200100**  
**Fax: +44 (0) 1923 200101**

**Peerless-AV Latin America**  
Av. de las Industrias 413  
Parque Industrial Escobedo  
General Escobedo, N.L.,  
México, 66062  
**+52 (81) 8384-8300**  
**Fax: +52 (81) 8384-8360**

**peerless-AV®**  
Driving Technology Through Innovation

LIT-1886 rev.2