



**Peerless XHB554**  
**Touch Solution Installation Guide**

**July 2022**

**Prepared by:**

TSItouch, Inc

One Millennium Drive, Suite 3

Uniontown, PA 15401

**Have questions?**

If customer service assistance is needed, please contact TSItouch:

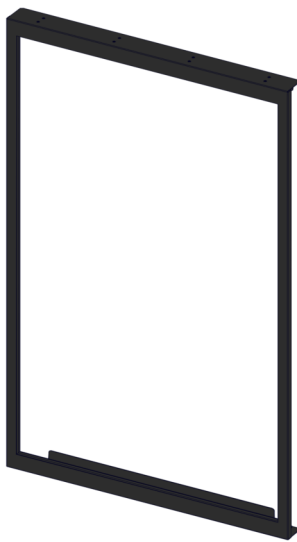
**Phone:** 1-802-874-0123, Option 2 (8:00 am to 8:00 pm EST, Mon-Fri)

**E-mail:** [support@tsitouch.com](mailto:support@tsitouch.com)

### 1.0 Contents

---

Guide Purpose	Page 1
Notes and Warnings	Page 1
Materials	Page 2
Dimensional Drawings	Page 3
Installation Procedure	Page 4
Heating Cable Provisions	Page 8



Front view



Rear view

### 2.0 Guide Purpose

---

**2.1 Please review all notes, warnings, and instructions before beginning installation.**

2.2 This procedure describes the steps to install a heated IR touch solution onto the Peerless XHB554 display.

### 3.0 Notes and Warnings

---

**3.1 The touch solution should be installed and is intended for use in the portrait orientation. The monitor sensors should be in the top right corner.**

**3.2 This solution is intended for use with the KOP2555-XHB kiosk.**

3.3 The touch solution has integrated USB and heating cables located along the bottom edge. Ensure the cables are not pinched, crushed, or damaged during installation.

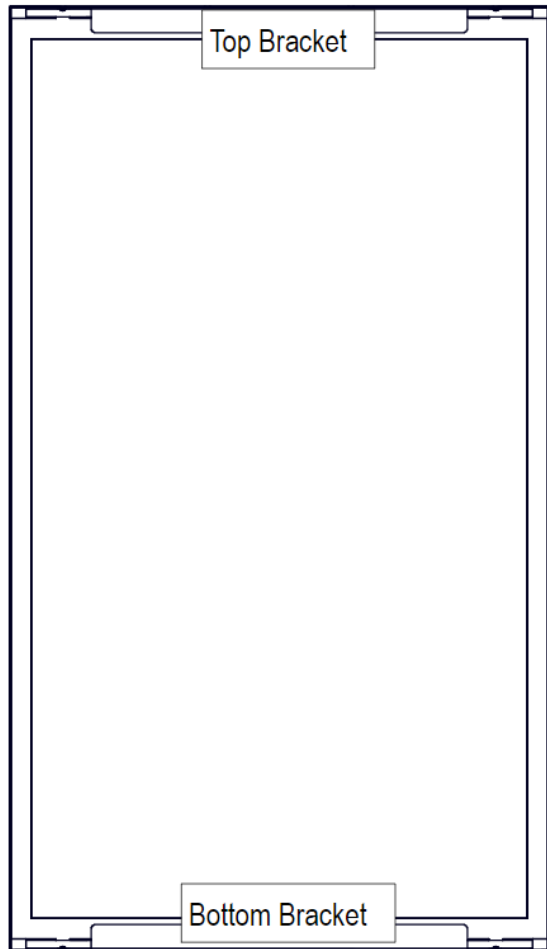
3.4 Do NOT flex or apply excess uneven pressure to the assembly frame.

3.5 Installation requires two people to safely handle the unit.

3.6 Ensure the touch solution is handled only by the metal frame during installation.

### 4.0 Materials Included

- 4.1 One (1) integrated custom touch solution with installed mounting bracket
- 4.2 Three (3) spare #6-32 Phillips flathead machine screws

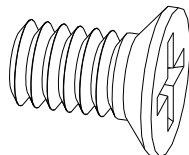


Item 4.1

6ft touch solution USB A cable at this corner

Heating cable elements out at this corner

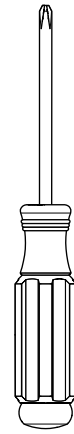
(Rear view)



Item 4.2

### 5.0 Materials Needed

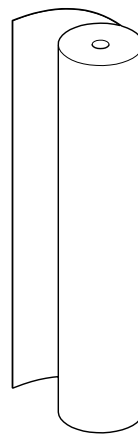
- 5.1 One (1) Phillips #2 screwdriver
- 5.2 Mild cleaning solution
  - 5.2.1 **Do NOT use any chemical solvents such as acidic or alkali solutions.**
- 5.3 Soft, dry cloth
- 5.4 (Optional) Canned air duster



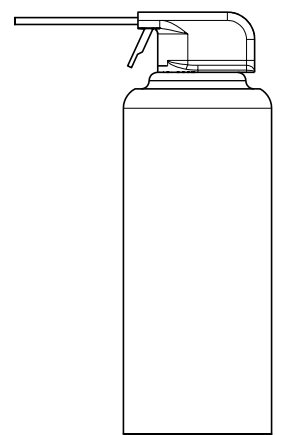
Item 5.1



Item 5.2



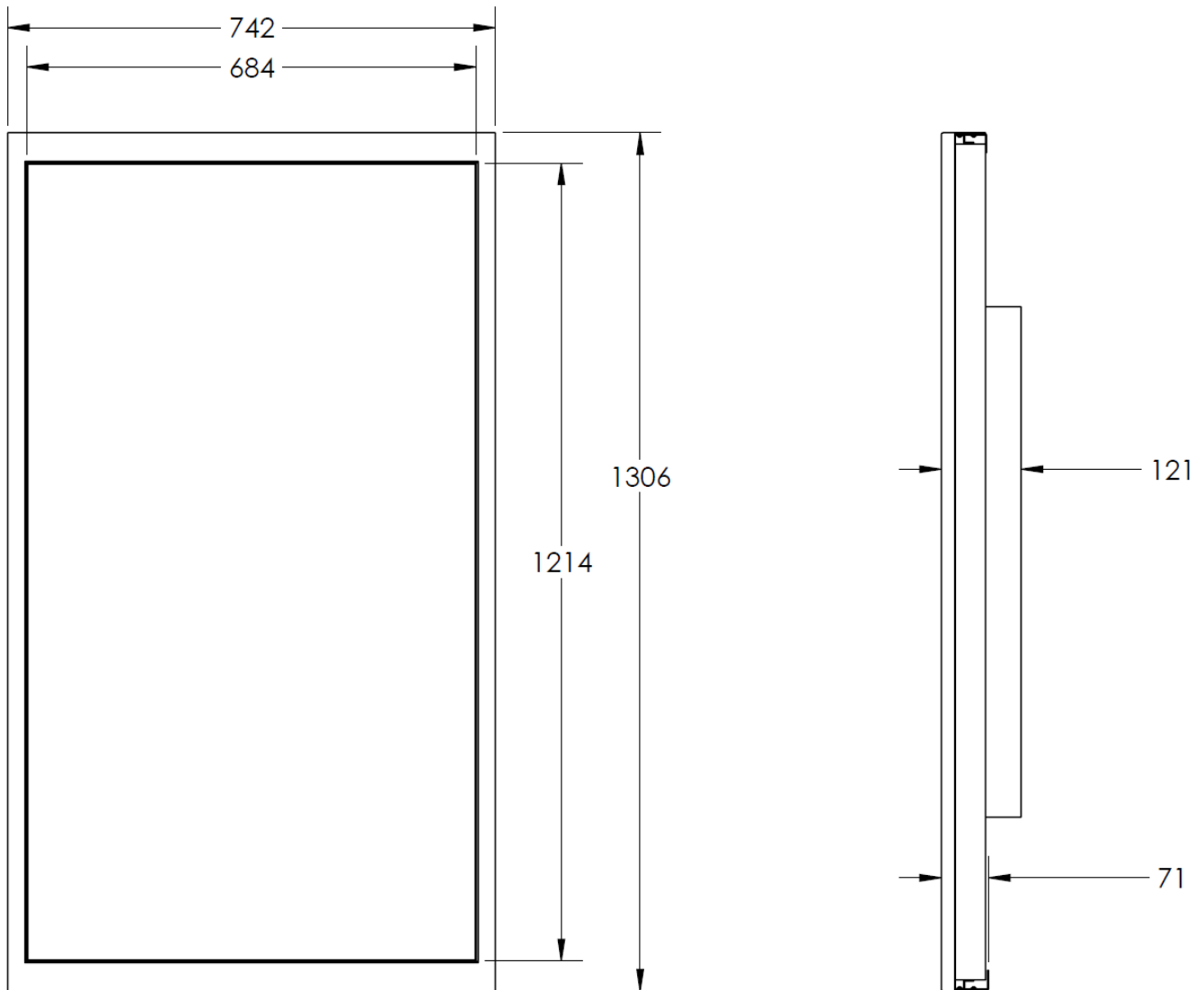
Item 5.3



Item 5.4

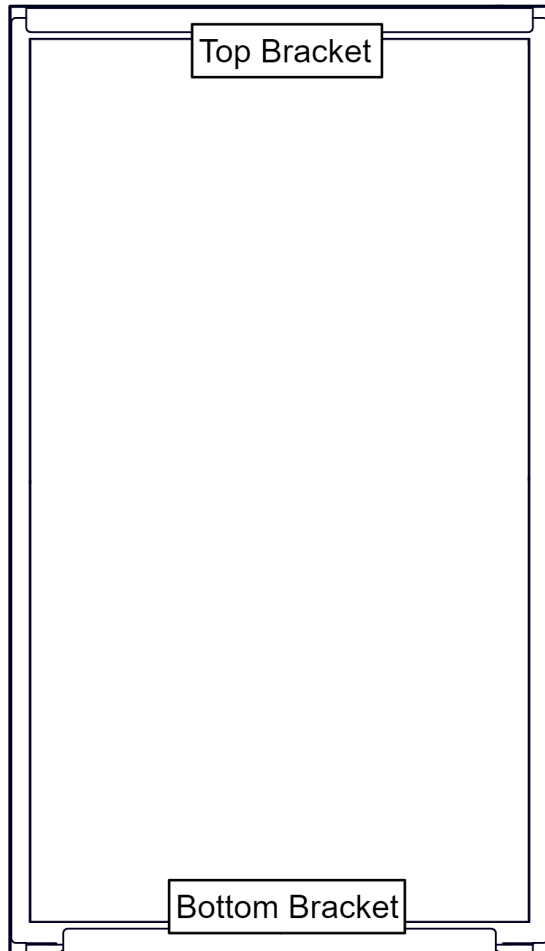
## 6.0 Dimensional Drawings (in millimeters)\*

---



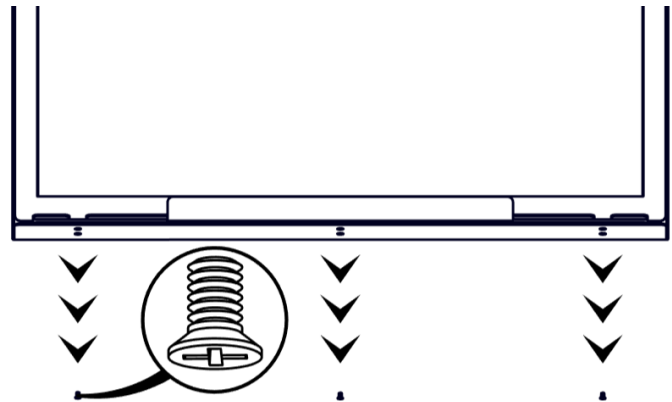
\*Actual measurements may vary  $\pm 2$  millimeters.

- 7.1 Remove the touch solution from packaging. Place the assembly face down on a padded surface and verify the material contents.



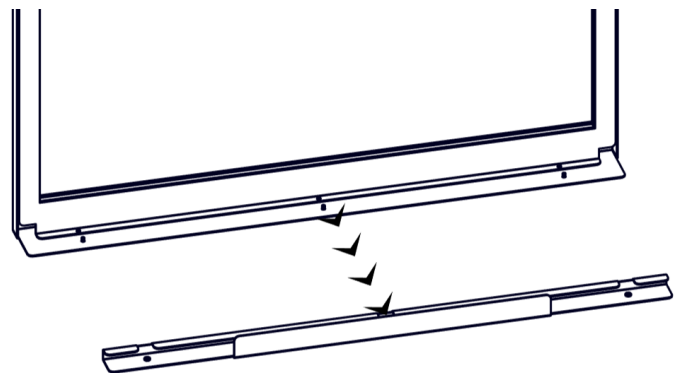
- 7.2 Use the #2 Phillips screwdriver to remove the three (3) #6-32 Phillips flathead machine screws securing the bottom bracket to the touch solution.

- 7.2.1 ONLY remove the screws closest to the back edge of the assembly. Do NOT remove any remaining screws from the assembly.**

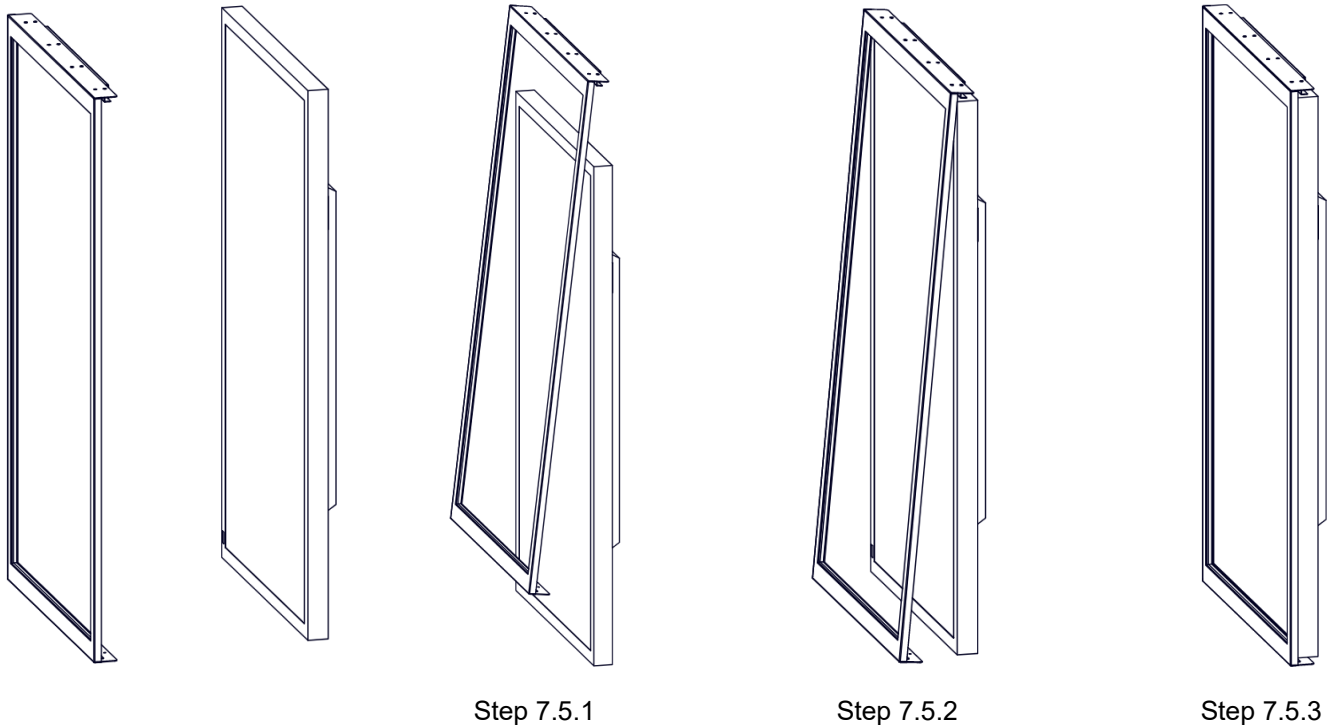


- 7.3 Remove the bottom bracket from the touch solution.

- 7.3.1 Set the screws and bracket aside for reuse in steps 7.9 and 7.10.



- 7.4 Use the mild cleaner and cloth to clean the monitor surface and inside glass surface of the touch solution.
- 7.4.1 **Do not use any chemical solvents, such as acidic or alkali solutions.**
- 7.4.2 If available, use compressed air after cleaning to remove any lint or dust.
- 7.5 With help from at least one partner, **gently** install the touch solution on the monitor.
- 7.5.1 Hook the top bracket of the assembly on the top of the monitor.
- 7.5.2 Slide the assembly toward the bottom of the monitor.
- 7.5.3 Lower the assembly down to the monitor surface.

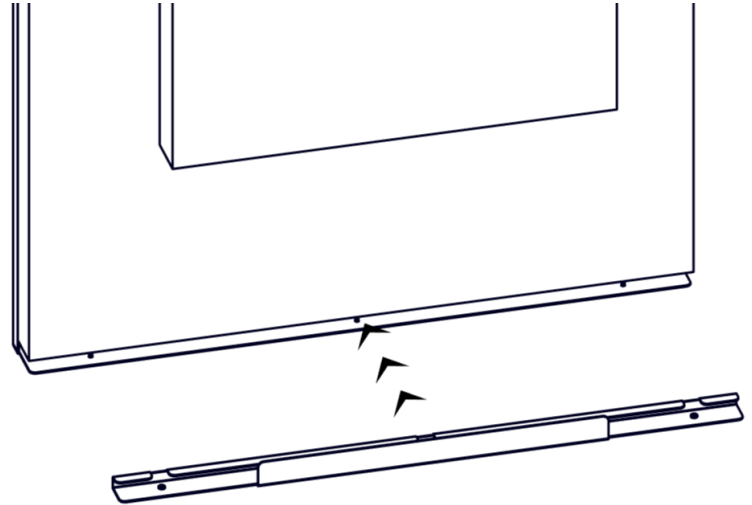


- 7.6 **Be sure the USB and heating Cables are toward the bottom of the monitor and are not crushed or pinched during installation.**
- 7.7 **Be careful not to scratch or damage the monitor while installing the solution.**
- 7.8 **Double-check the monitor panel and touch solution glass for dirt, smudges, or dust before securing the assembly to the monitor.**

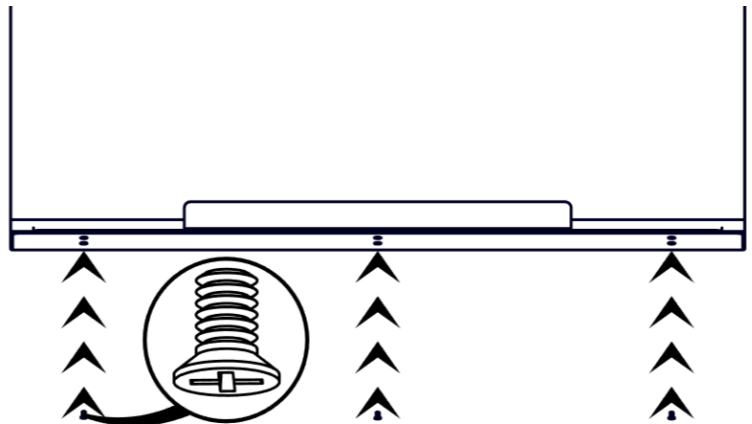
### Installation Procedure

---

- 7.9 Return the bottom bracket to its original position.



- 7.10 Replace the three (3) #6-32 Phillips flathead machine screws to secure the bottom bracket to the touch solution.



- 7.11 Heated touch solution hardware installation completed. Attach the USB output cable to your PC or media player to enjoy your new touch capabilities. Proceed to the heating cable provisions on the following page to ensure proper and safe operation of the heating cable.

## 8.0 Heating Cable Provisions

---

### 8.1 Purpose

The touch solution's integrated heating cable will ensure the touch frame operates properly in cold environments (below 38 degrees Fahrenheit). Following these steps will ensure the proper and safe operation of the heating cable.

### 8.2 Safety Precautions

8.2.1 Make sure there is a properly grounded electrical receptacle close enough to plug in the cable. A ground fault circuit interrupter (GFCI) protected circuit is strongly recommended. Use on 120 volts only and be sure the electrical outlet is not overloaded. This heating cable will consume five amps or less of electricity. If an extension cord is necessary, use only a properly sized and grounded cord suitable for outdoor use.

8.2.2 A GFCI protected circuit will reduce the danger of fire or electrical shock from a damaged or improperly installed heating cable. If you do not know whether your electrical circuit is protected by a GFCI, consult with an electrician.

8.2.3 Metallic surfaces that may come in contact with the heating cable must be grounded in accordance with local codes.

8.2.4 **Never** alter the heating cable in any way. If made shorter, it will overheat. Once cut or damaged, the heating cable cannot be repaired.

### 8.3 Maintenance

8.3.1 At the beginning of the cold season and monthly during operation, inspect the heating cable and its connection to the electric power source. Discontinue use and remove any unit that has been cut, damaged, immersed in water, shows any evidence of charring or cracking, or has deteriorated for any reason. This cable does not contain any serviceable parts and must be replaced if damaged.

8.3.2 Disconnect the heating cable from the electric power source at the end of the cold season (when air temperatures remain above 50 degrees Fahrenheit). The thermostat turns the heating cable on when exposed to temperatures below 38 degrees Fahrenheit. It will shut the heating cable off when the touch frame has been heated to a temperature of approximately 45 degrees Fahrenheit.