



RHINO-RACK

Rhino-Rack Wrap Pad RWP03, RWP04, RWP05

Important: Please read these instructions carefully prior to installation. Please refer to your fitting instruction to ensure that the wrap pad is installed in the correct locations. Check the contents of kit before commencing fitment and report any discrepancies. Place these instructions in the vehicle's glove box after installation is complete.

Layout



Important Information

Recommendations:

It is essential that all bolt connections be checked after driving a short distance when you first install your cross bars. Bolt connections should be checked again at regular intervals (probably once a week is enough, depending on road conditions, usage, loads and distances travelled). You should also check the cross bars each time they are re-fitted. Make sure to fasten your load securely. Please ensure that all loads are evenly distributed and that the centre of gravity is kept as low as possible.

Use only non-stretch fastening ropes or straps. Always lash around crossbar. Sensitivity to cross winds, behaviour in curves and braking. The handling characteristics of the vehicle, changes when you transport a load on the roof. For safety reasons, we recommend you exercise extreme care when transporting wind-resisting loads; special consideration must be taken into account when braking.

Please remove cross bars when putting vehicle through an automatic car wash. Remove Wrap Pad when not in use. UV damage to the wrap pads may occur if left on the vehicle crossbars. This is not covered under the conditions of the warranty. Remove wrap pads when cleaning the vehicle roof. It is the responsibility of the end user to determine the suitability of this product with their vehicle.

Note for Dealers and Fitters:

It is your responsibility to ensure instructions are given to the end user or client.

Crossbar Type	Compatible
Rhino Rack Aero	✓
Rhino Rack HD	✓
Rhino Rack Euro	✓
Thule Aero	✓
Thule Square	✓
Thule Wingbar	✓
Thule Wingbar Edge	✓
Rola Aero	✓
Pro-Rack P Bar	✓
Pro-Rack Trade Bar	✓
Pro-Rack Whipbar	✓
Whispbar HD	✓
Yakima Whipbar	✓

Rhino-Rack
3 Pike Street, Rydalmere,
NSW 2116, Australia.

(Ph) (02) 9638 4744
(Fax) (02) 9638 4822

Document No: R288
Prepared By: Kayle Everett
Issue No: 04

Authorised By: Chris Murty
Issue Date: 11/04/2014

These instructions remain the property of Rhino-Rack Australia Pty Ltd and may not be used or changed for any other purpose than intended.



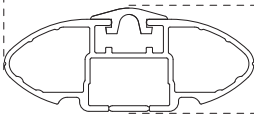
Rhino-Rack Wrap Pad RWP03, RWP04, RWP05

Parts List

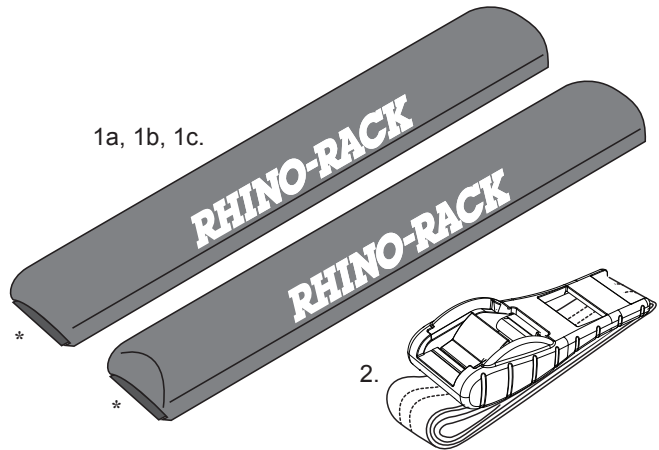
Item	Component Name	Qty	Part No.
1a*	Wrap Pad (550mm)	2	RWP03
1b*	Wrap Pad (700mm)	2	RWP04
1c*	Wrap Pad (850mm)	2	RWP05
2	Cam Buckle and Strap	2	-
3	Fitting Instruction	1	R288

*Note: Items 1a, 1b and 1c are kit specific.

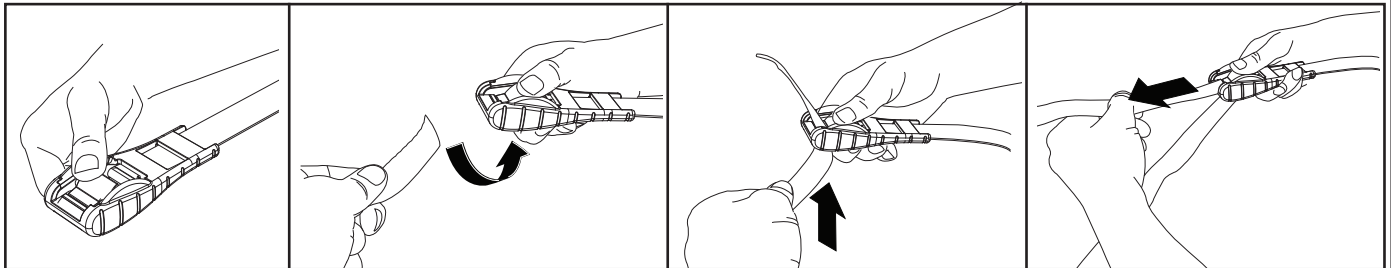
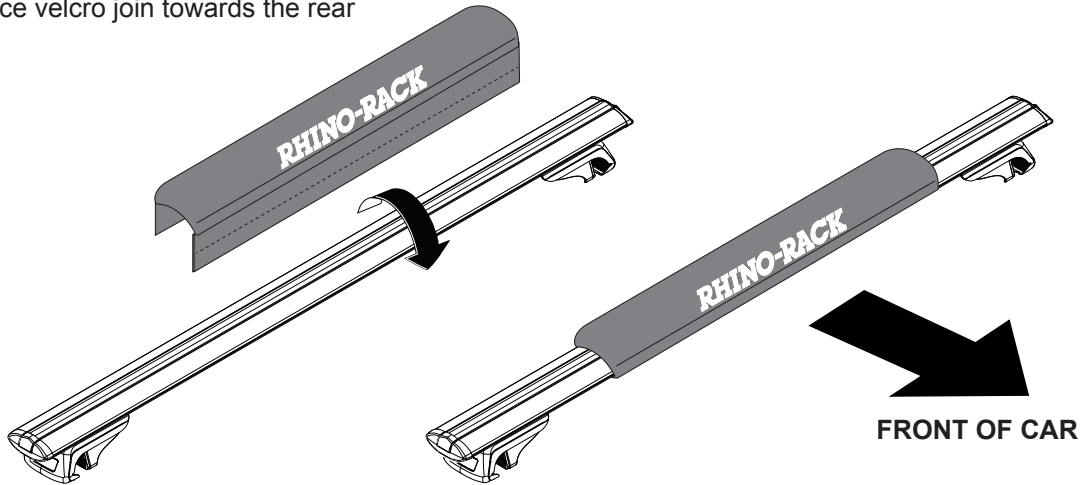
MAX width 90mm
MIN width N/A



MAX height 45mm
MIN height 22mm



NOTE: Face velcro join towards the rear



CAUTION:

Must NOT be used for lifting
Always inspect prior to use
Protect from friction and abrasion
Do NOT use strap if it is damaged

