



Installation Instructions for IUP016E
Landrover / Rangerover
Underbody Protection Plate
Engine Bay



Landrover Discovery III (TAA; 4.4D; 2,7TD)
Landrover Discovery IV (4.4D; 2,7TD)
Landrover Rangerover Sport (4,2; 4,4; 2,7TD; 3,6TD)

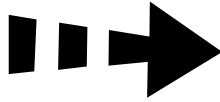
2004-2009
2010 
2005

IUP016E

1/6



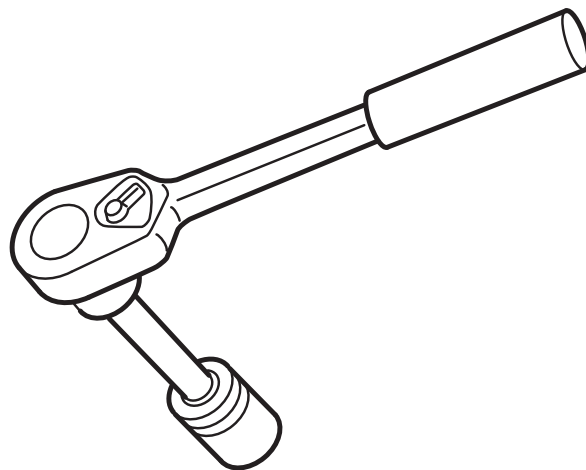
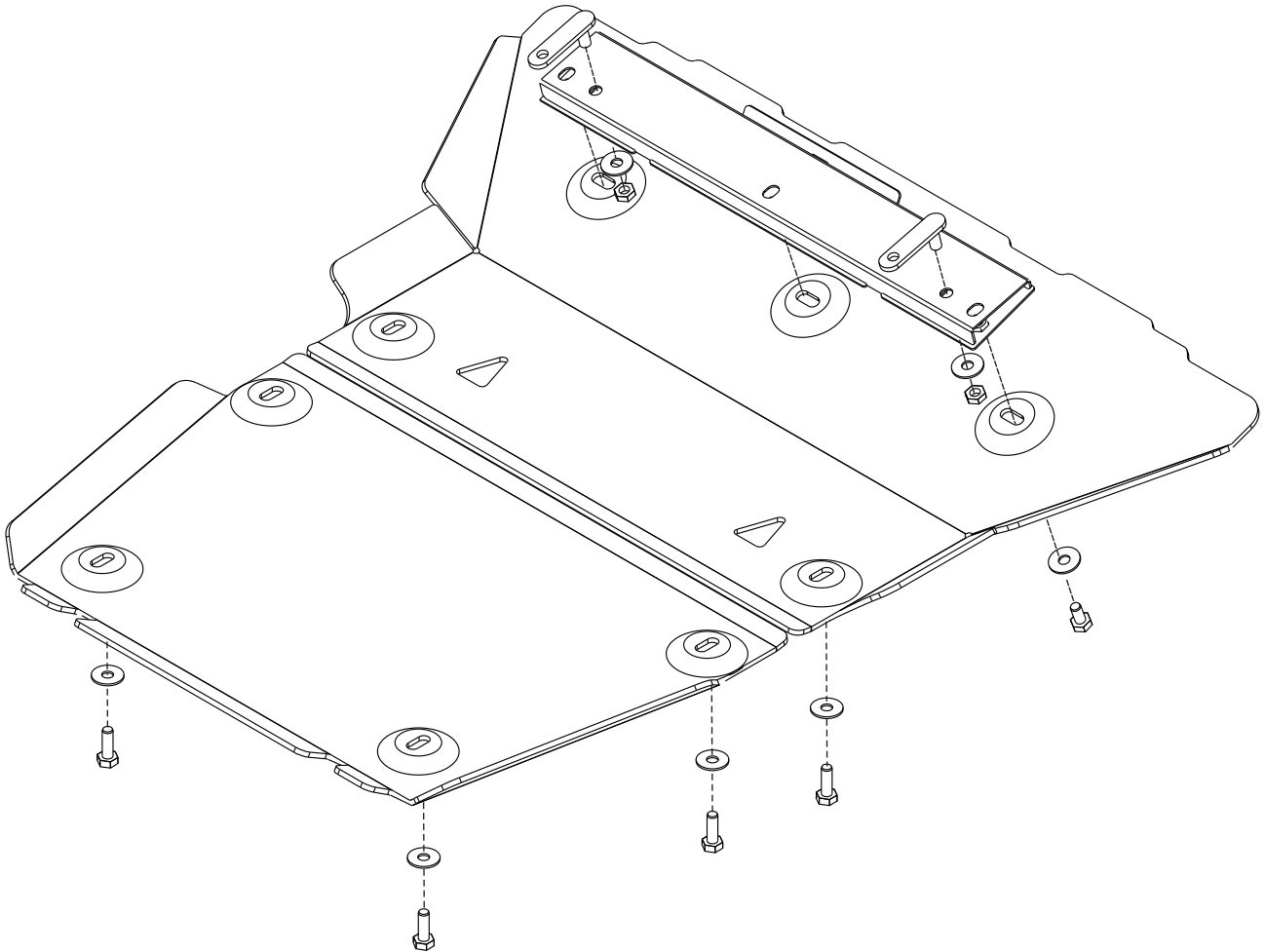
Location/Position Arrow

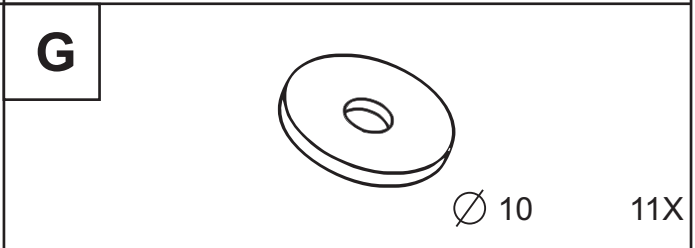
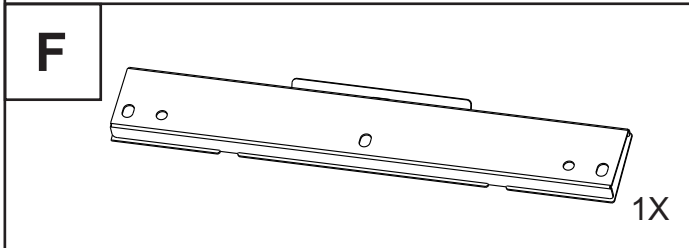
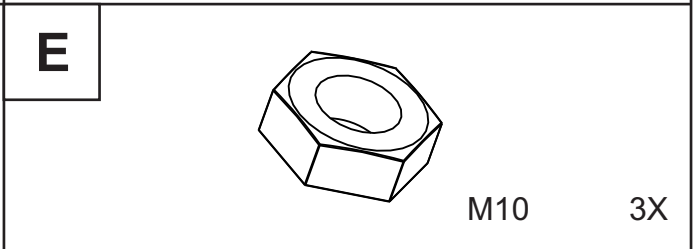
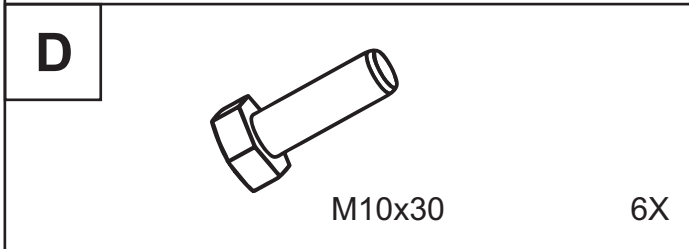
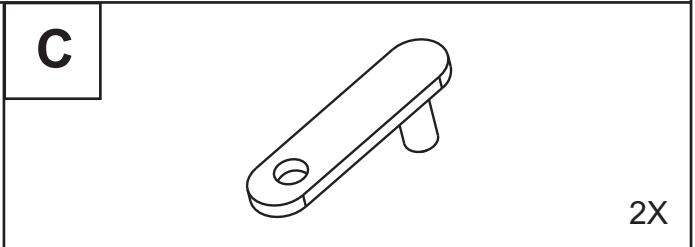
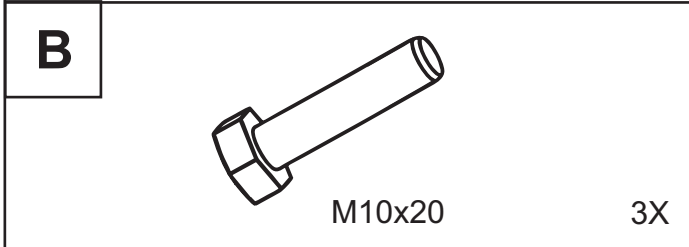
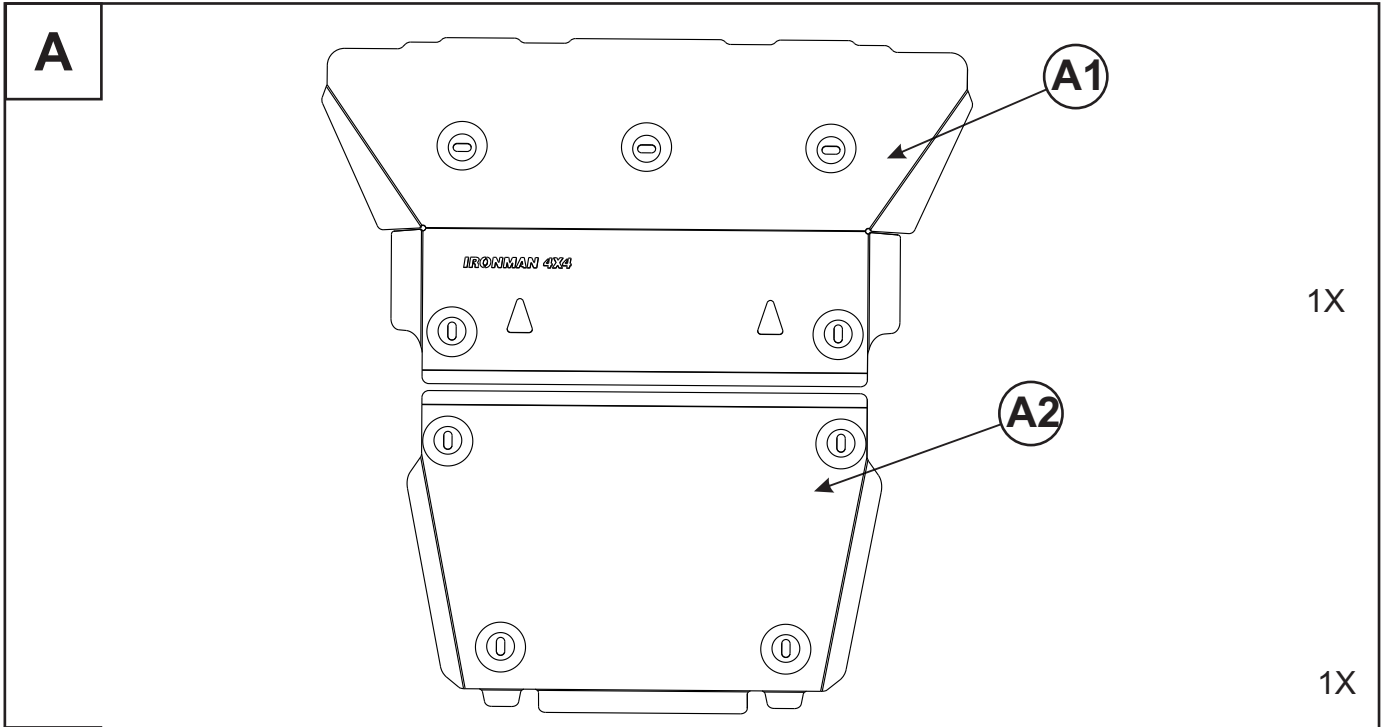


Movement Arrow



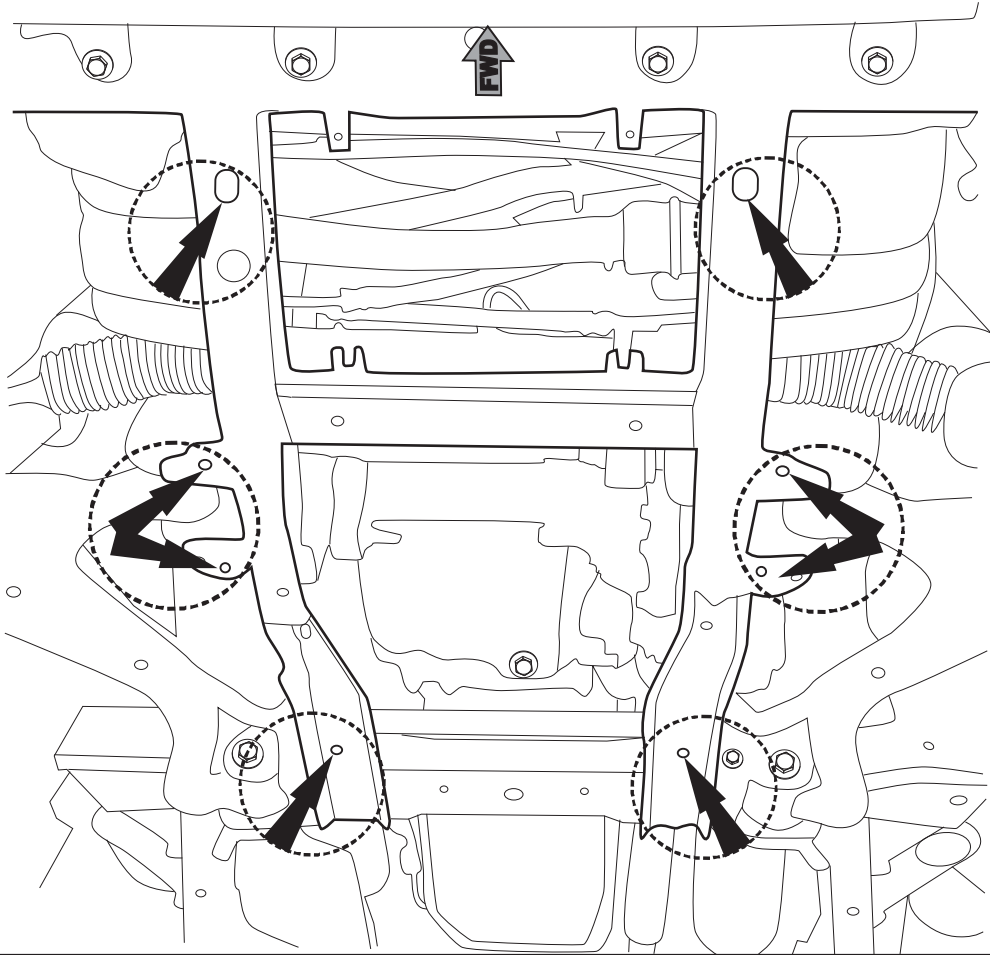
Screw Arrow



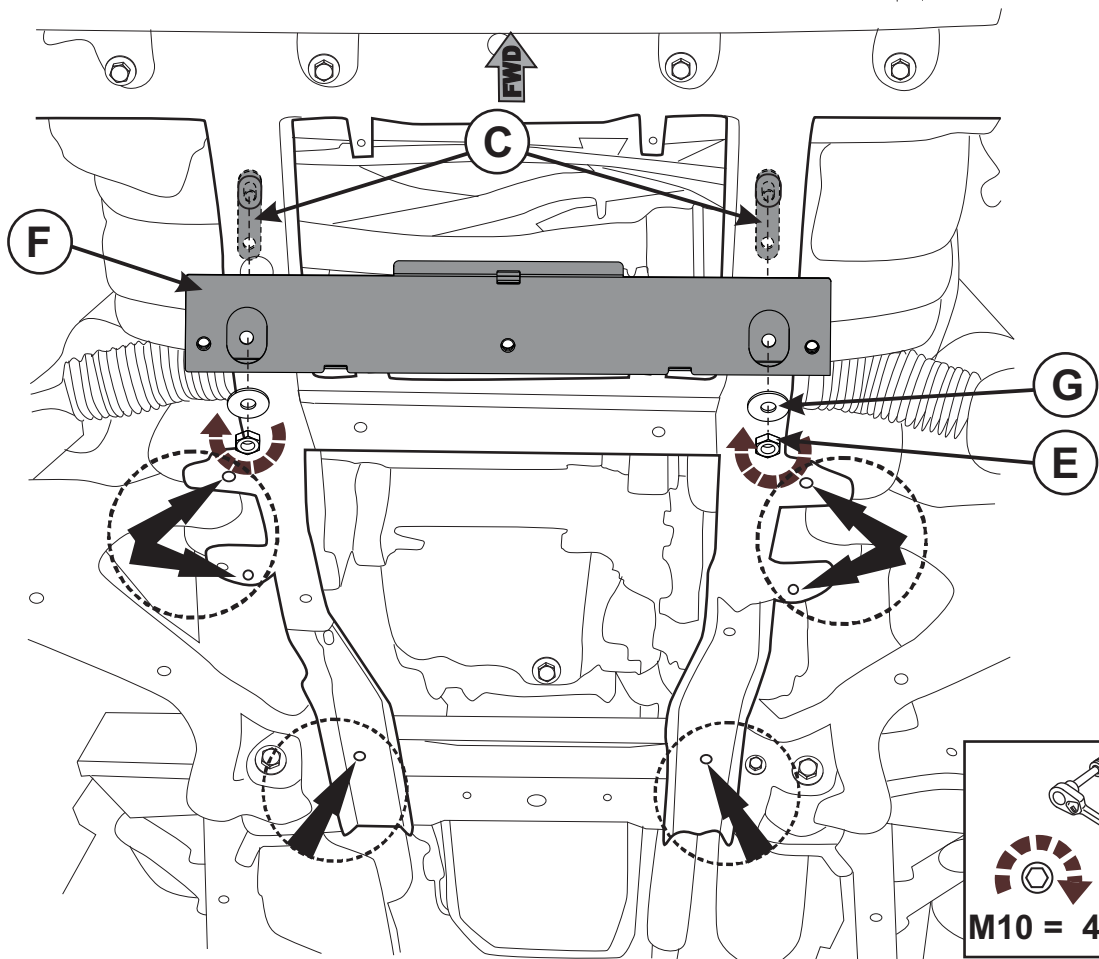


IUP016E

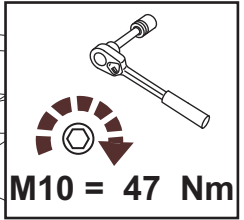
3/6

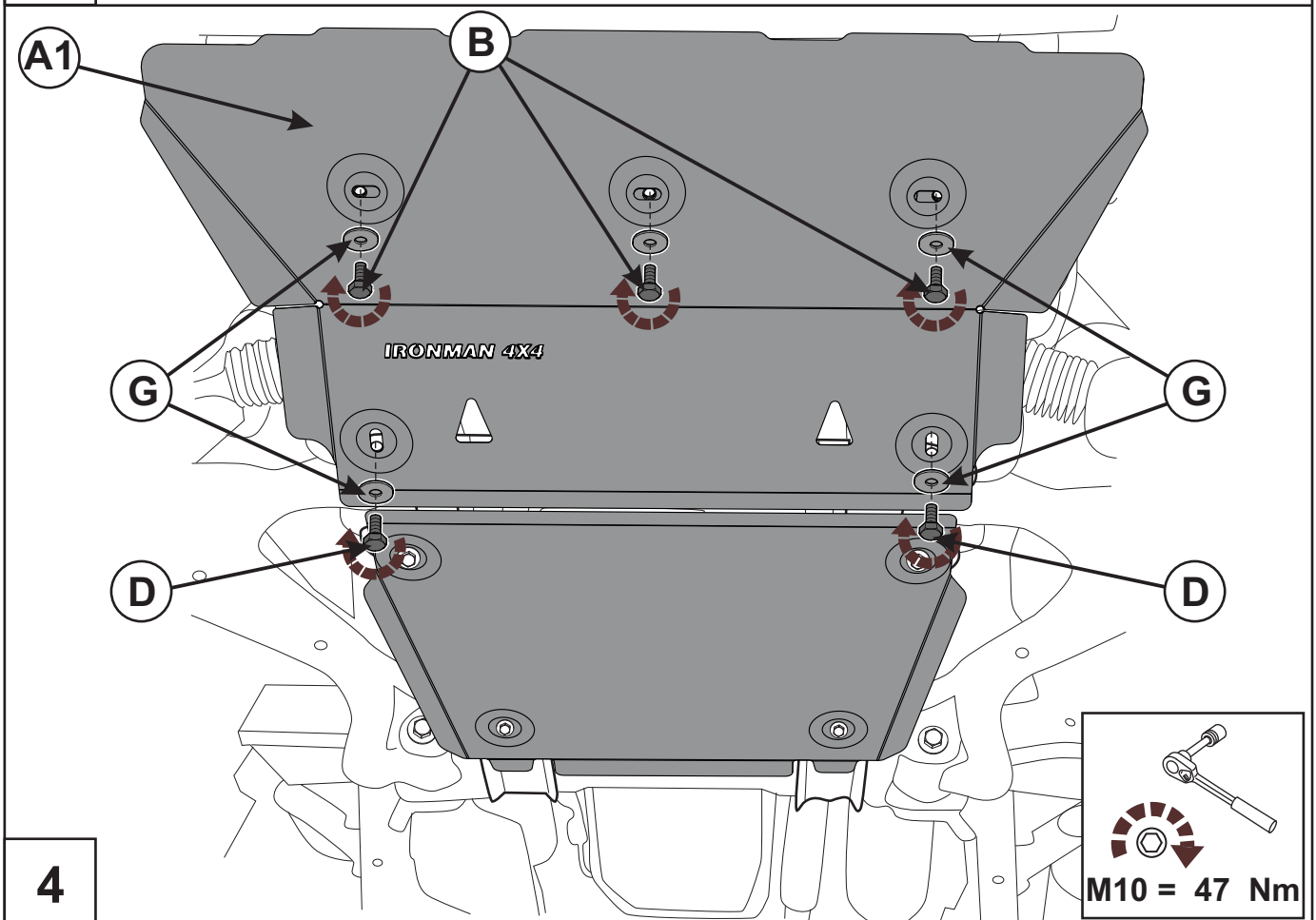
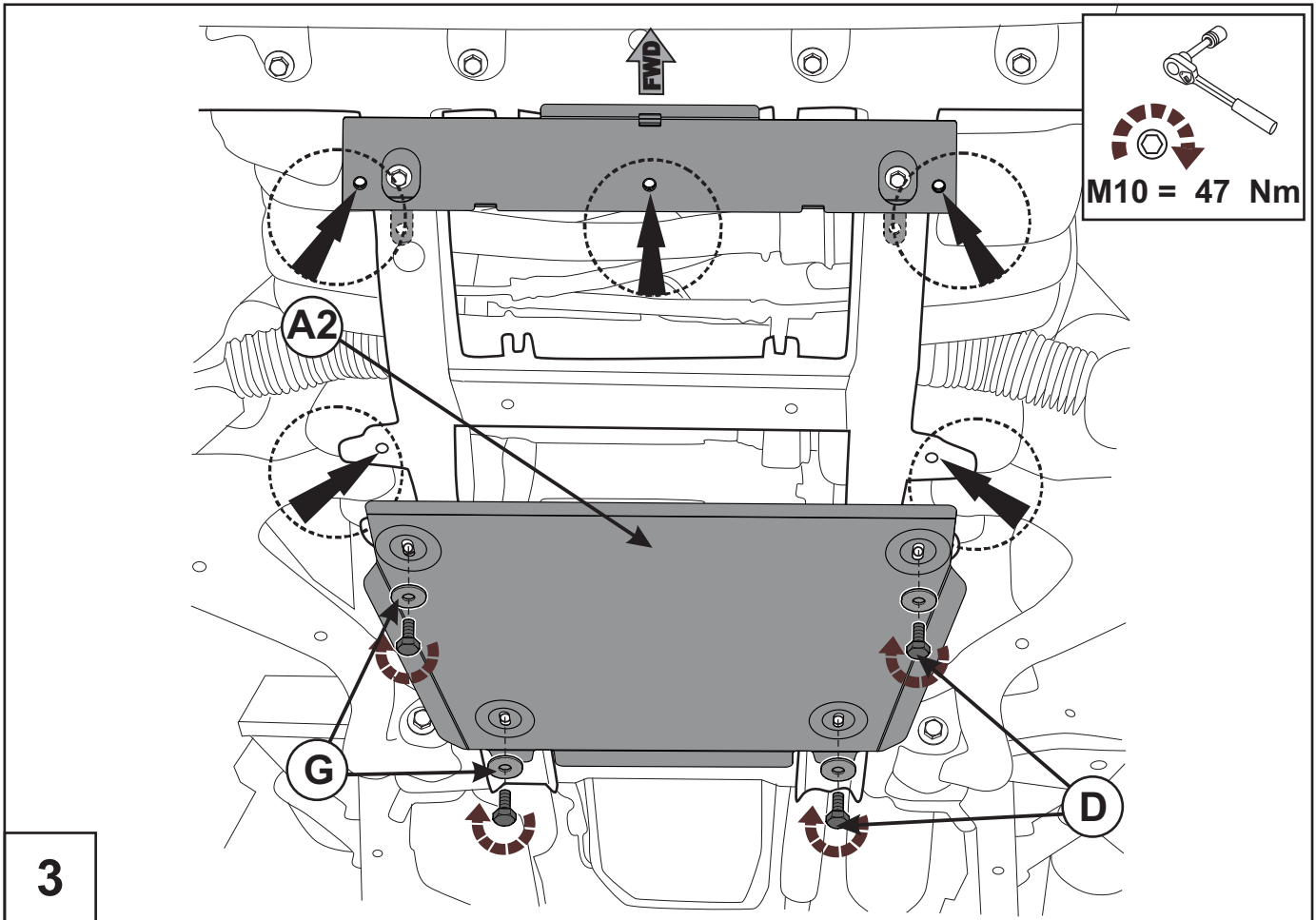


1



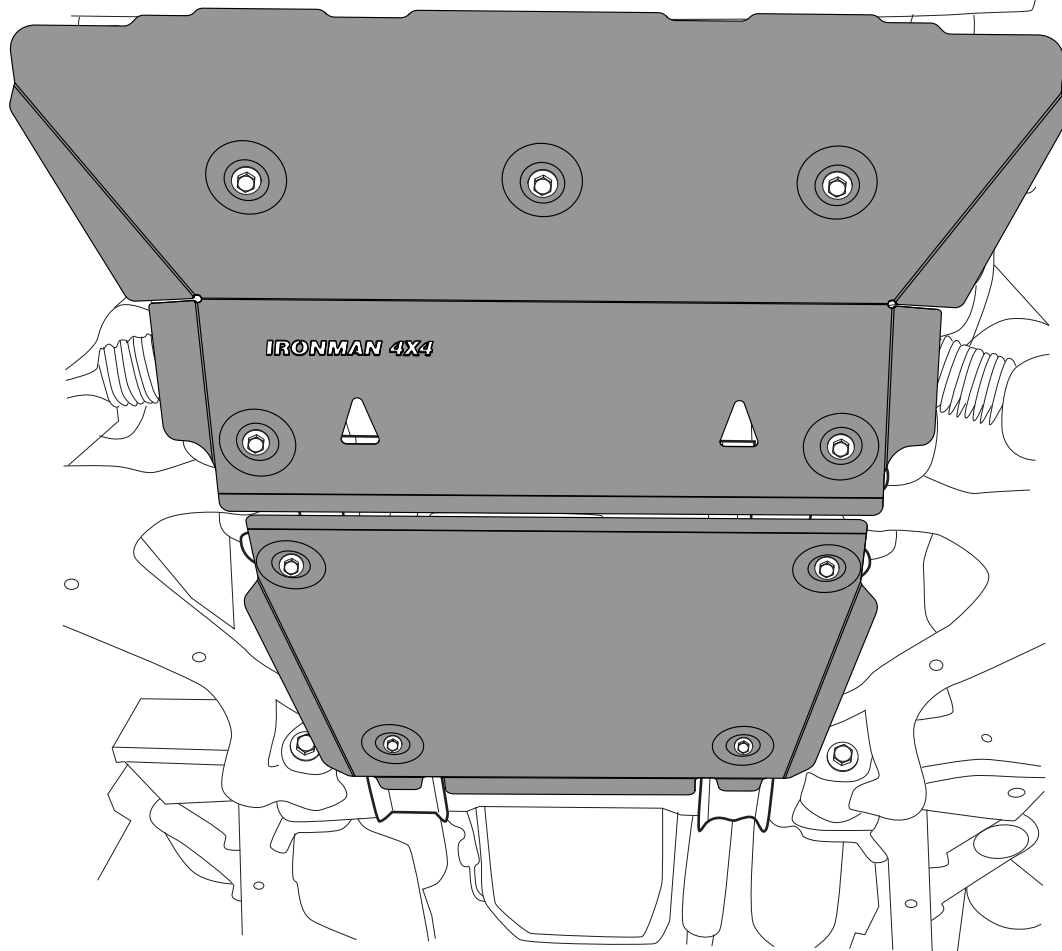
2





3

4



5



Installation Instructions for IUP016T
Landrover / Rangerover
Underbody Protection Plate
Transmission



Landrover Discovery III (TAA; 4.4D; 2,7TD)
Landrover Discovery IV (4.4D; 2,7TD)
Landrover Rangerover Sport (4,2; 4,4; 2,7TD; 3,6TD)

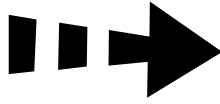
2004-2009
2010 
2005

IUP016T

1/6



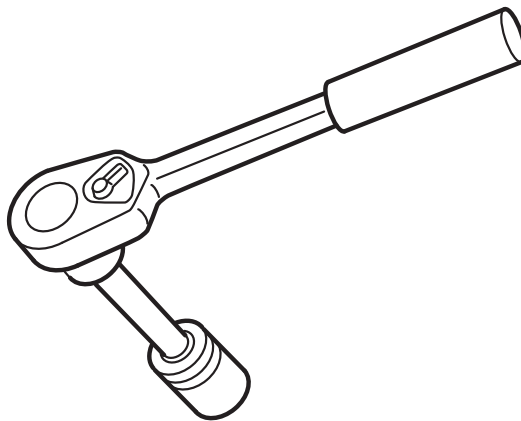
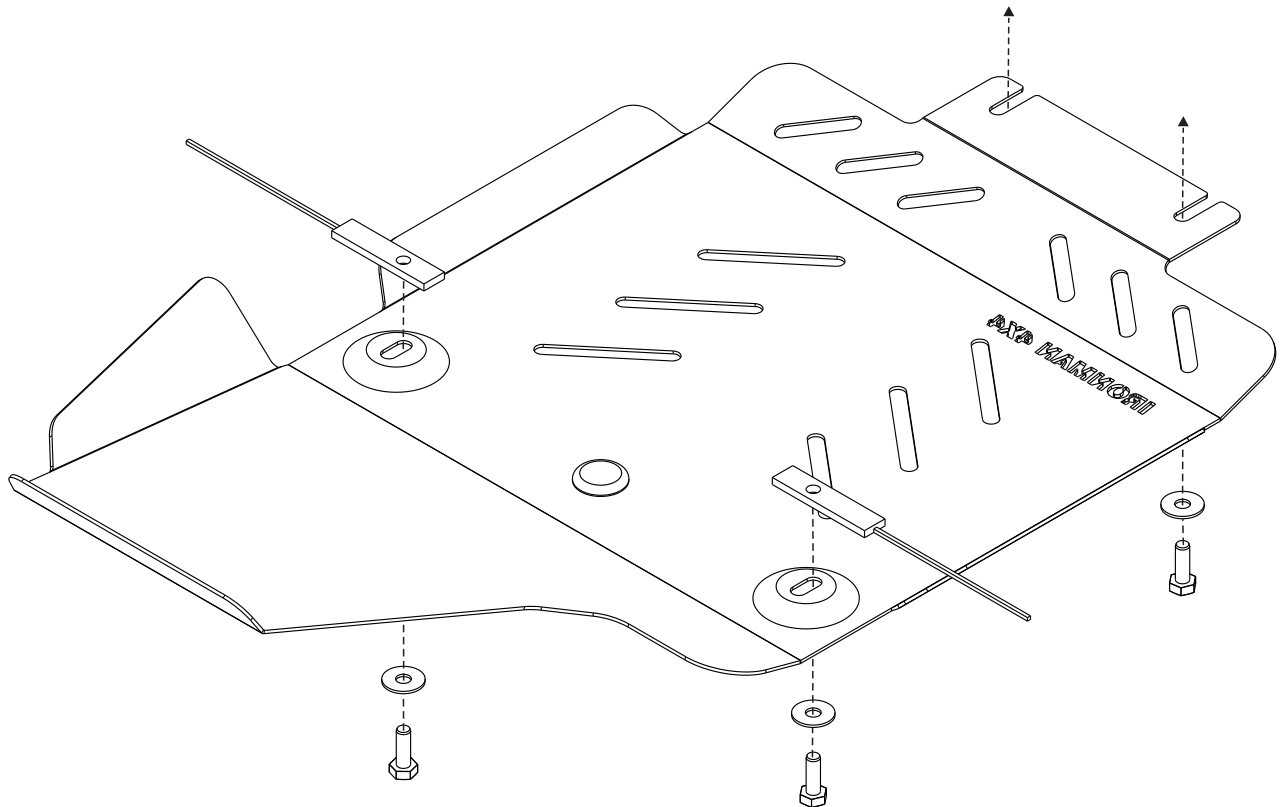
Location/Position Arrow



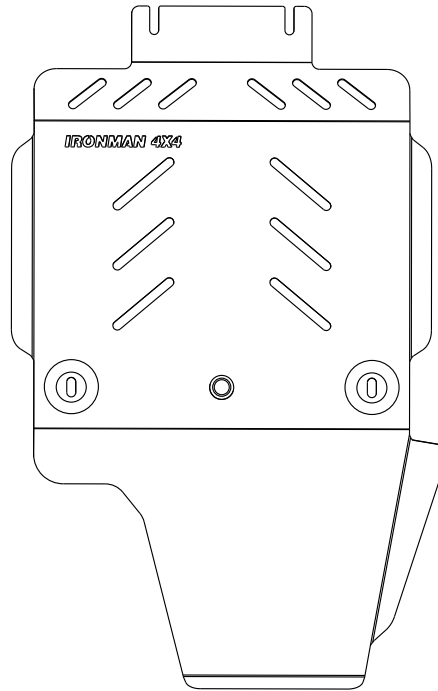
Movement Arrow



Screw Arrow

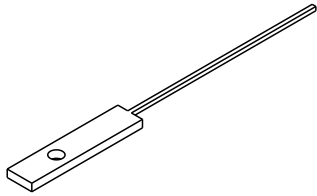


A



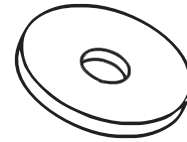
1X

B



2X

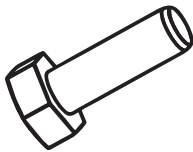
C



∅ 10

4X

D



M10x30

4X



IUP016T

3/5

