



Fitment Instructions

Model: Rodeo / Colorado / D-Max

Underbody Protection Plate

Part Number: IUP009E

Engine Bay

Years: 2007 -

Engine type: 2,5 TD; 3,0 TD

APPLICATION:

Protection of engine bay and transmission elements from damage.
Protection of engine bay and transmission elements from dust and water.

INSTALLATION:

This protection plate has been designed for installation to the intended application only. It should be mounted according to these installation instructions by an experienced Ironman 4x4 dealer or certified fitter. The plate is fixed to original vehicle mountings located on the vehicle's body load-bearing elements. Upon successful installation the plate should not interfere with any other parts or components.

INSTALLATION MANUAL:

1. Remove OE duster.
2. Install plate "A" to OE fixing points.
3. Install front of plate "B" to the rear of plate "A" and rear of plate "B" to the vehicle using the threaded inserts.
4. Tighten all screw joints.

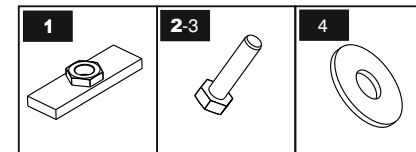
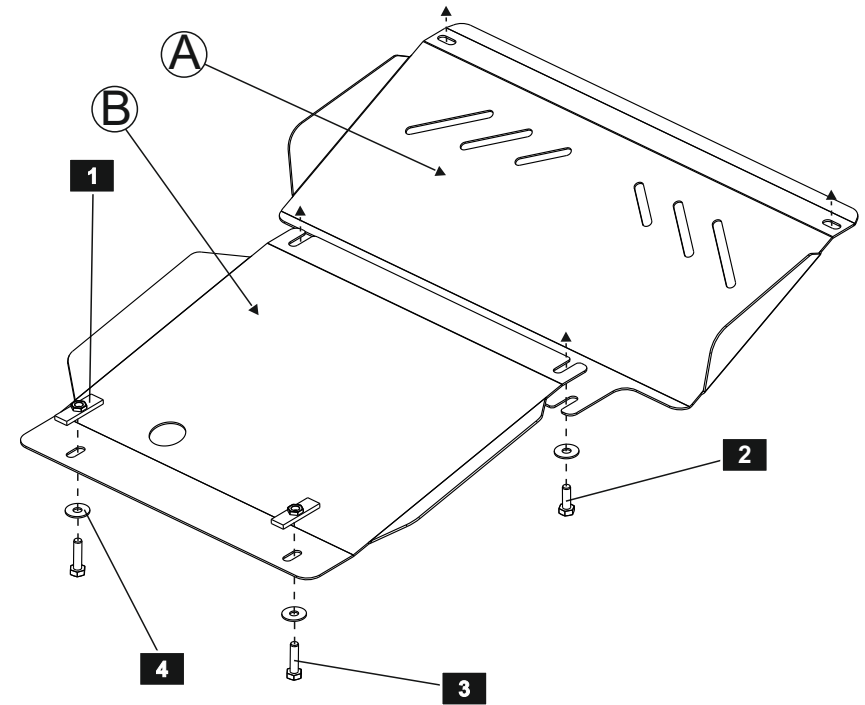
WARRANTY:

Warranty period - 12 Months

WARRANTY TERMS:

The plate should only be installed on a vehicle with undamaged body and load-bearing elements, vehicles which have been involved in a significant collision may prevent successful installation.


Ironman 4x4 does not bear liability for any damages caused to the vehicle, or injury to persons in case of installation or product failure. Ironman 4x4 has a right to introduce changes into the skid plate construction.



LIST OF PARTS

NO.	NAME	QTY.
1	Threaded insert	2
2	Bolt M10x30	2
3	Bolt M10x40	2
4	Washer 10	4

Thread	M6x1.0	M8x1.25	M10x1.5	M12x1.75
Tightening torque	9.8 Nm	24.0 Nm	47.0 Nm	81.0 Nm

 The Quality Management System at production has been audited by Bureau Veritas Certification and conforms to requirements of the ISO 9001:2008 standard.

www.ironman4x4.com

**IRONMAN 4X4
MELBOURNE SHOWROOM**
Cnr Centre & Westall Roads,
Clayton, Victoria 3168
Telephone +61 3 9532 1111

**IRONMAN 4X4
BRISBANE SHOWROOM**
1 Hinkler Court
Brendale, QLD, 4500
Telephone (07) 3482 9500

**IRONMAN 4X4
PERTH SHOWROOM**
Unit 9/511 Abernethy Road
Kewdale, WA, 6105
Telephone (08) 6254 4444



Fitment Instructions

Model: Rodeo / Colorado / D-Max

Underbody Protection Plate

Part Number: IUP009T

Transmission

Years: 2007 -

Engine type: 2,5 TD; 3,0 TD

APPLICATION:

Protection of engine bay and transmission elements from damage.
Protection of engine bay and transmission elements from dust and water.

INSTALLATION:

This protection plate has been designed for installation to the intended application only. It should be mounted according to these installation instructions by an experienced Ironman 4x4 dealer or certified fitter. The plate is fixed to original vehicle mountings located on the vehicle's body load-bearing elements. Upon successful installation the plate should not interfere with any other parts or components.

INSTALLATION MANUAL:

1. Install this plate only after the engine bay plate is already mounted.
2. Install front of plate "A" to the rear of the engine bay plate; fix the rear of plate "A" to the transmission supporting beam.
3. Install front of plate "B" together with rear of plate "A". Install the rear of plate "B" to the vehicle using the threaded inserts.
4. Tighten all screw joints.

WARRANTY:

Warranty period - 12 Months

WARRANTY TERMS:

The plate should only be installed on a vehicle with undamaged body and load-bearing elements, vehicles which have been involved in a significant collision may prevent successful installation.

Ironman 4x4 does not bear liability for any damages caused to the vehicle, or injury to persons in case of installation or product failure. Ironman 4x4 has a right to introduce changes into the skid plate construction.



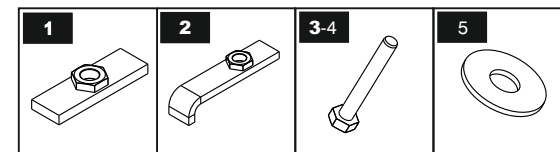
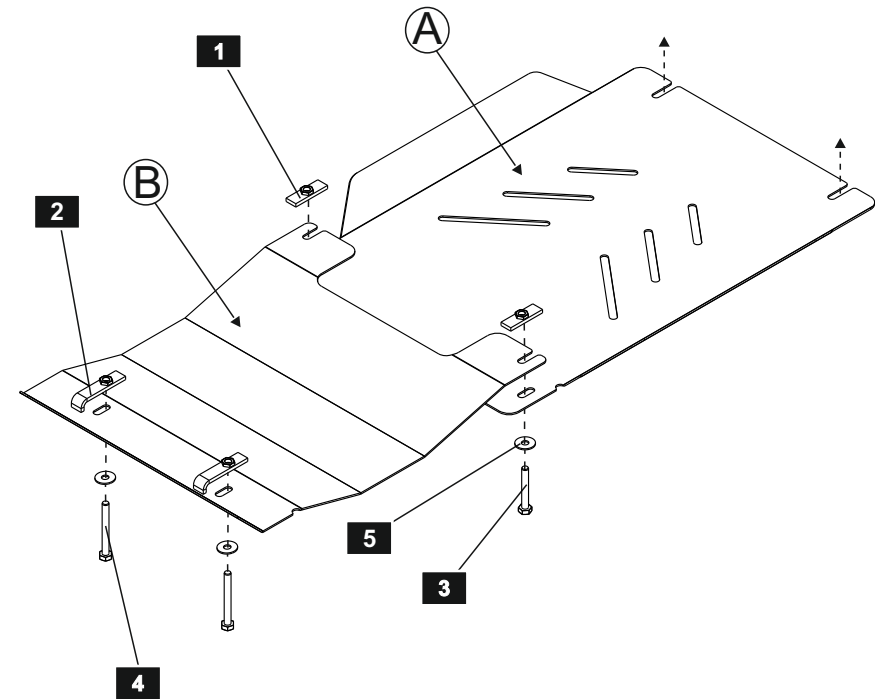
The Quality Management System at production has been audited by Bureau Veritas Certification and conforms to requirements of the ISO 9001:2008 standard.

www.ironman4x4.com

**IRONMAN 4X4
MELBOURNE SHOWROOM**
Cnr Centre & Westall Roads,
Clayton, Victoria 3168
Telephone +61 3 9532 1111

**IRONMAN 4X4
BRISBANE SHOWROOM**
1 Hinkler Court
Brendale, QLD, 4500
Telephone (07) 3482 9500

**IRONMAN 4X4
PERTH SHOWROOM**
Unit 9/511 Abernethy Road
Kewdale, WA, 6105
Telephone (08) 6254 4444



LIST OF PARTS

NO.	NAME	QTY.
1	Threaded insert	2
2	Threaded insert	2
3	Bolt M10x70	2
4	Bolt M10x90	2
5	Washer 10	4

Thread	M6x1.0	M8x1.25	M10x1.5	M12x1.75
Tightening torque	9.8 Nm	24.0 Nm	47.0 Nm	81.0 Nm