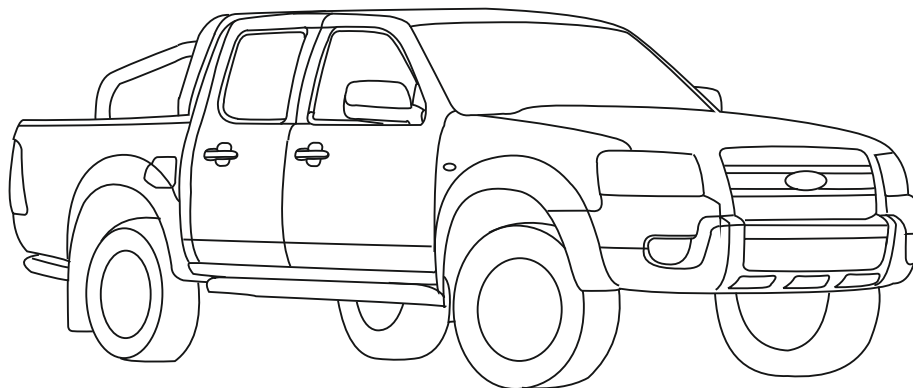
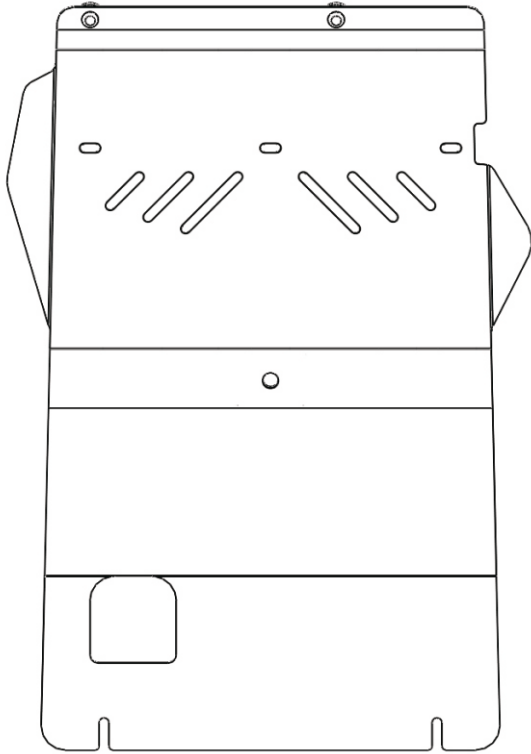




Installation Instructions for IUP008E

Underbody Protection Plate

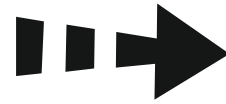
Engine Bay



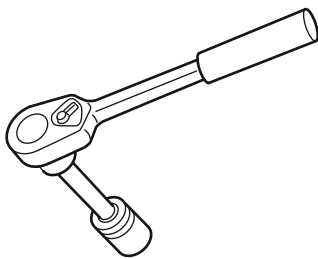
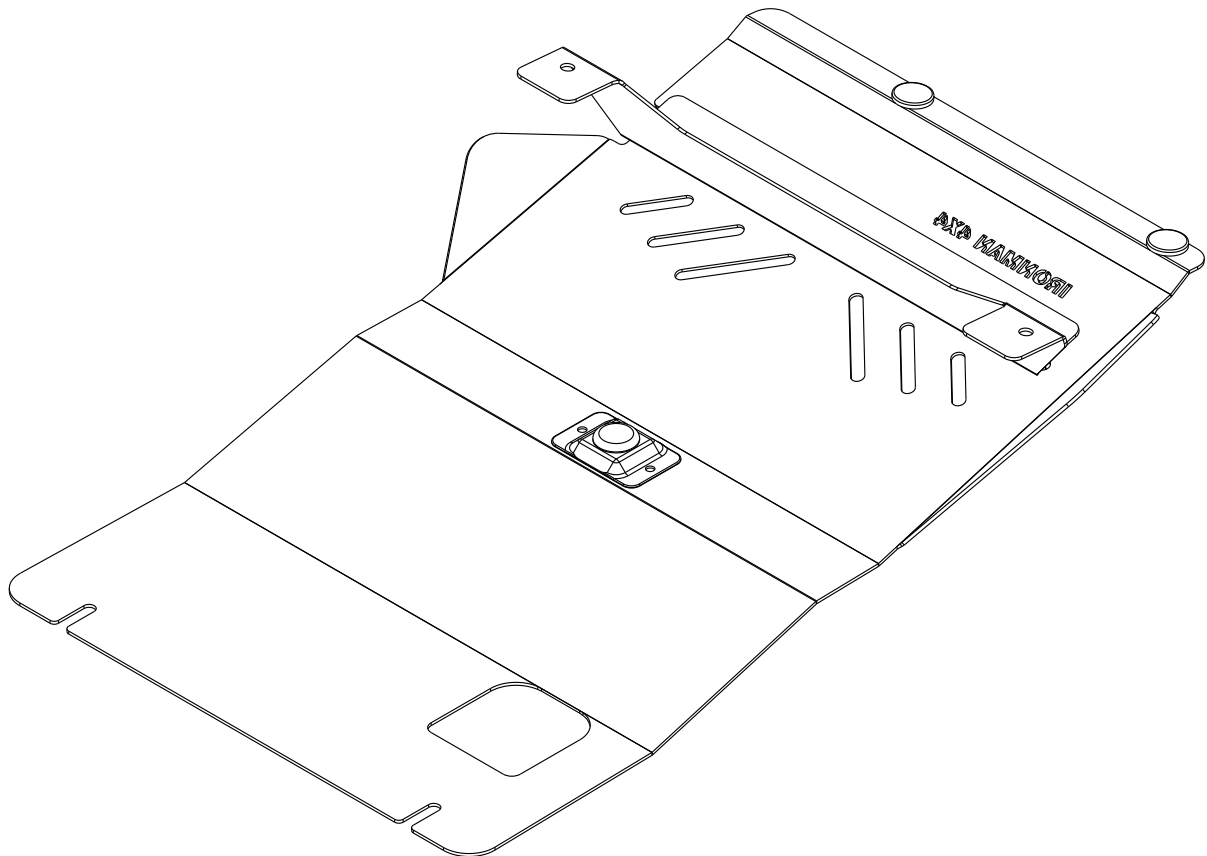
Ford Ranger 2007 



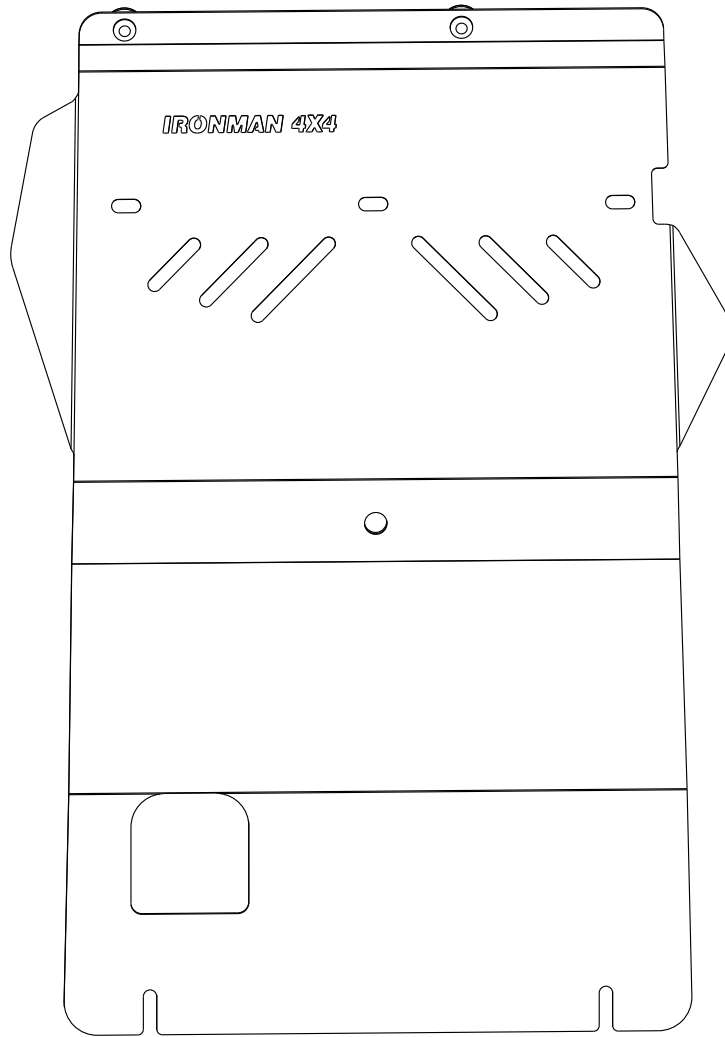
Location/Position Arrow



Movement Arrow

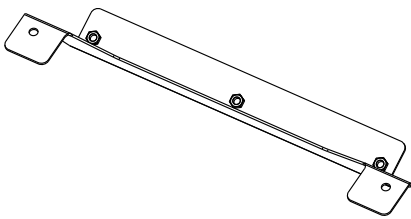


A



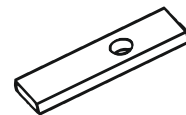
1X

B



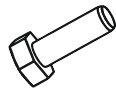
1X

C



2X

D



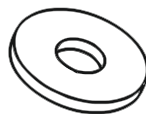
2X M10x30

E



3X M10x20

F

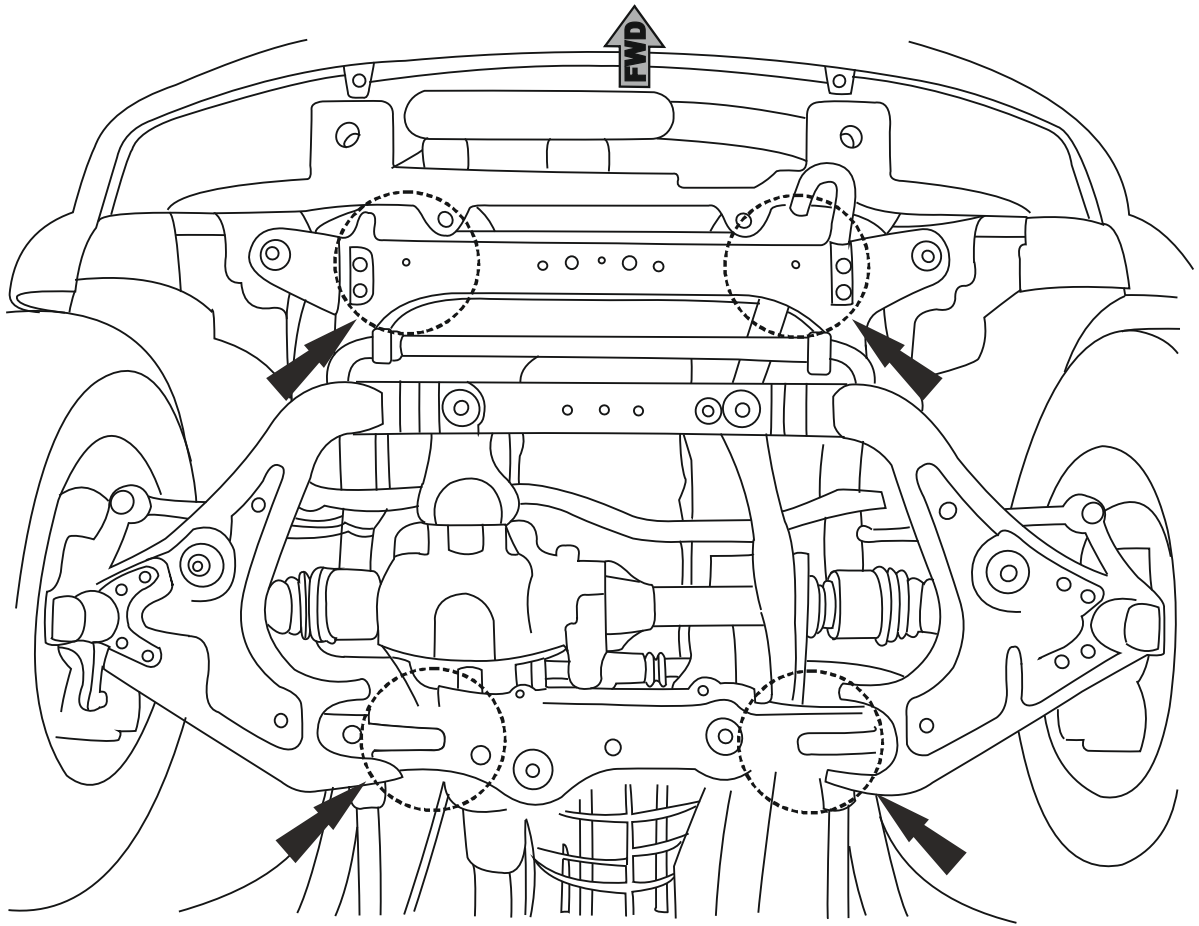


5X \varnothing 10

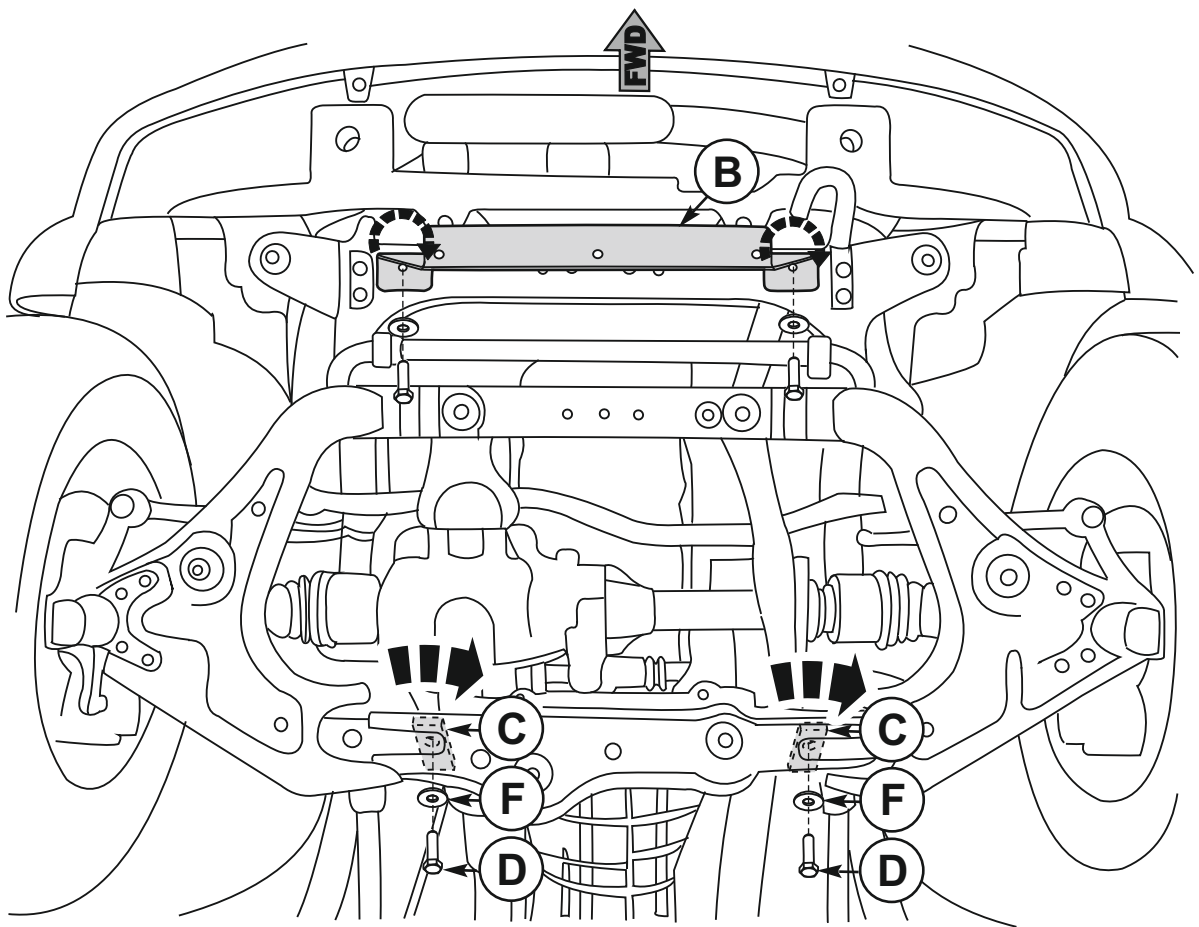


IUP008E

3/6



1

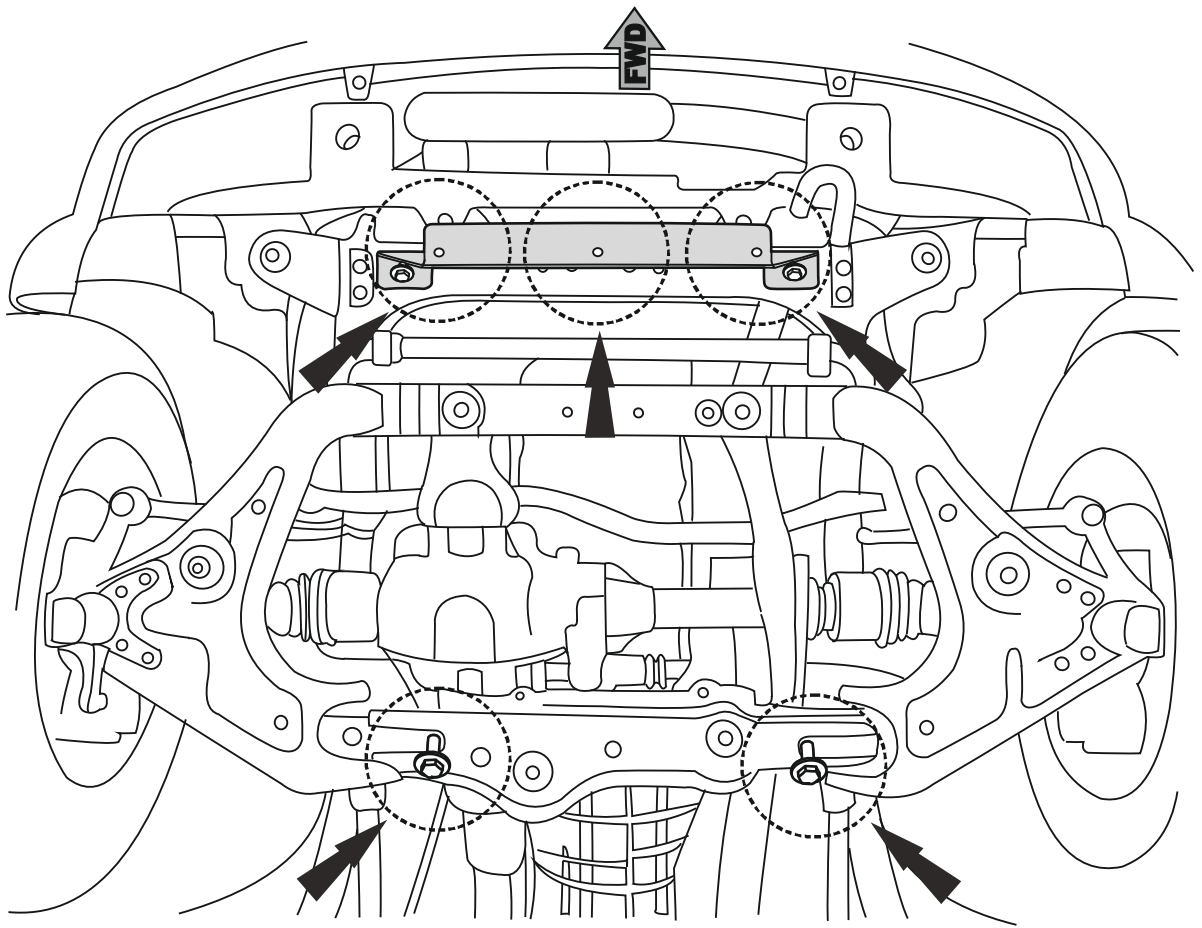


2

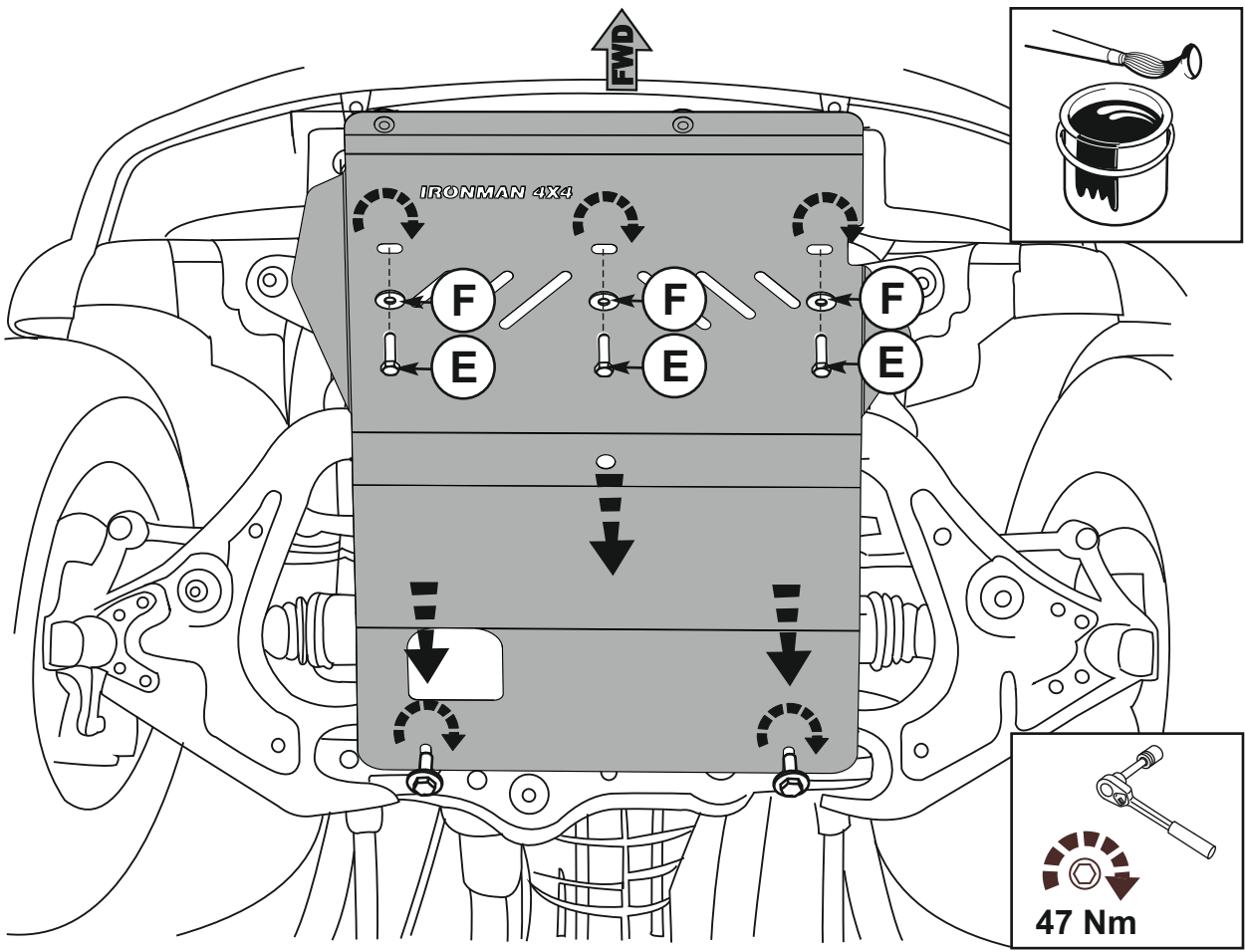


IUP008E

4/6



3



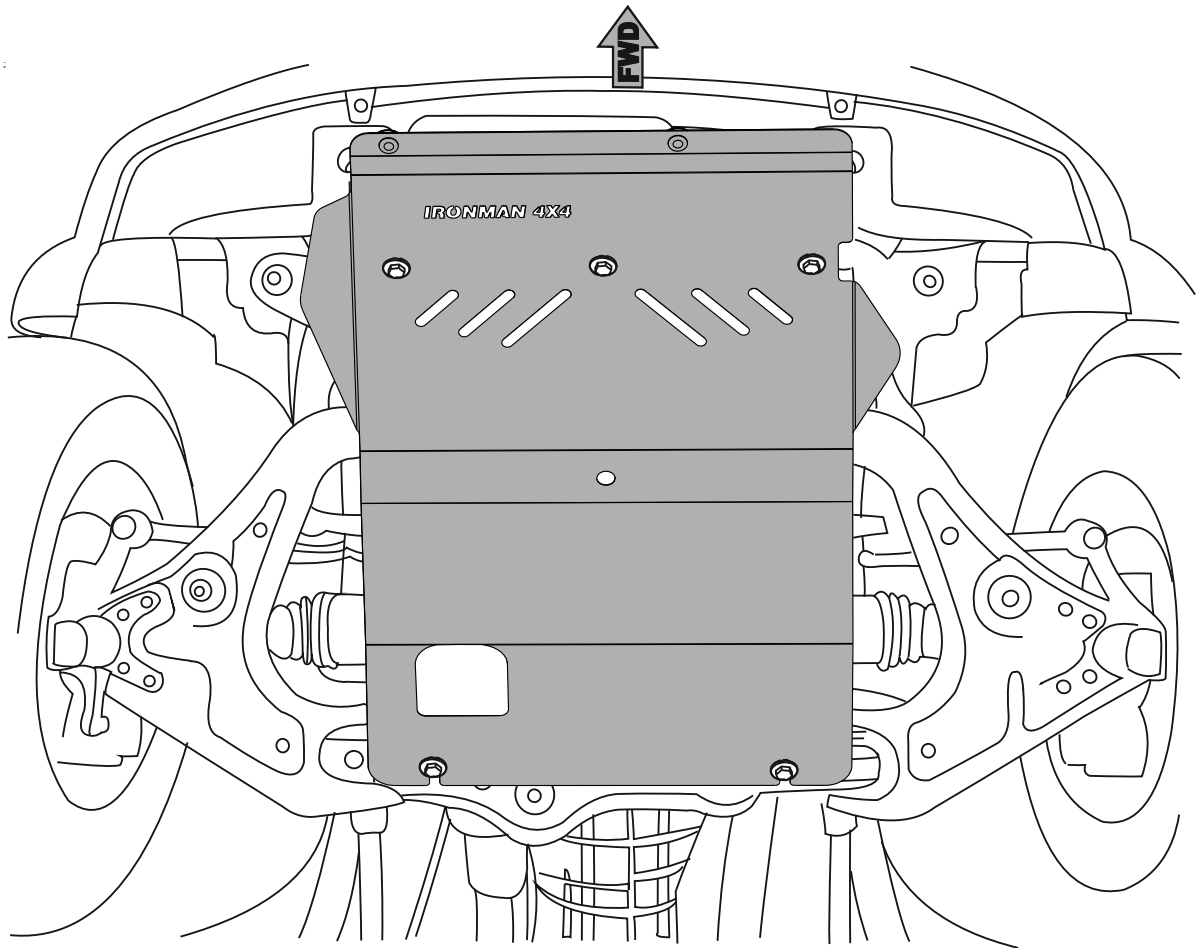
4

47 Nm



IUP008E

5/6



5

www.ironman4x4.com

**IRONMAN 4X4
MELBOURNE SHOWROOM**
Cnr Centre & Westall Roads,
Clayton, Victoria 3168
Telephone +61 3 9532 1111

**IRONMAN 4X4
BRISBANE SHOWROOM**
1 Hinkler Court
Brendale, QLD, 4500
Telephone (07) 3482 9500

**IRONMAN 4X4
PERTH SHOWROOM**
Unit 9/511 Abernethy Road
Kewdale, WA, 6105
Telephone (08) 6254 4444



IUP008E

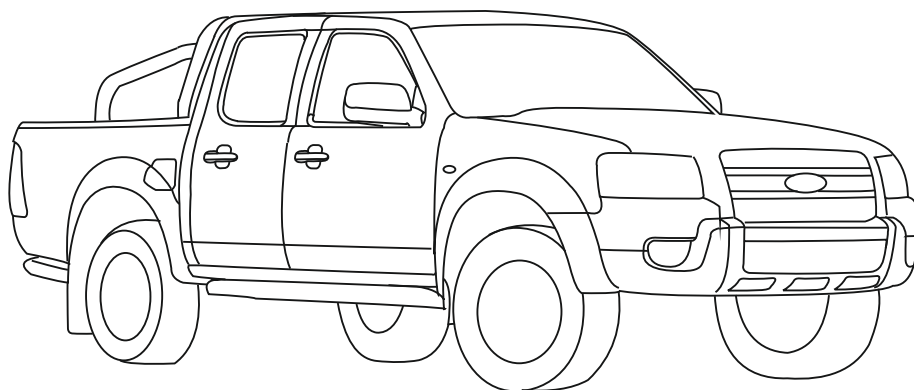
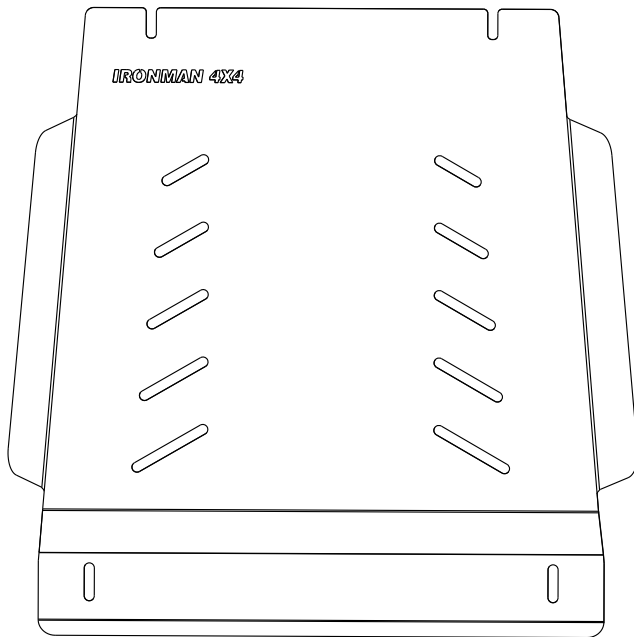
6/6



Installation Instructions for IUP008T

Underbody Protection Plate

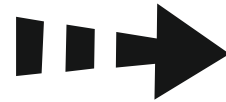
Transmission



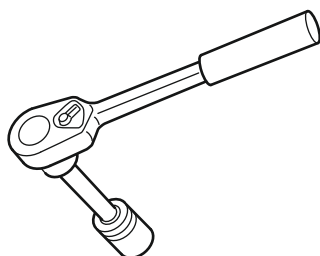
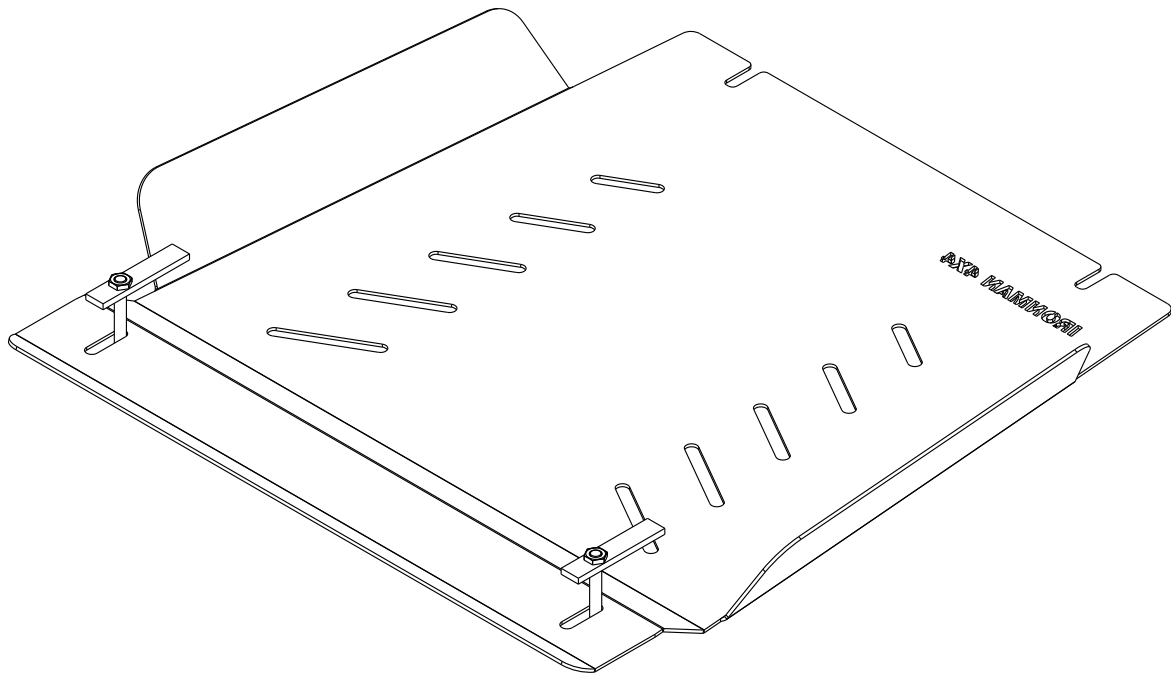
Ford Ranger 2007 



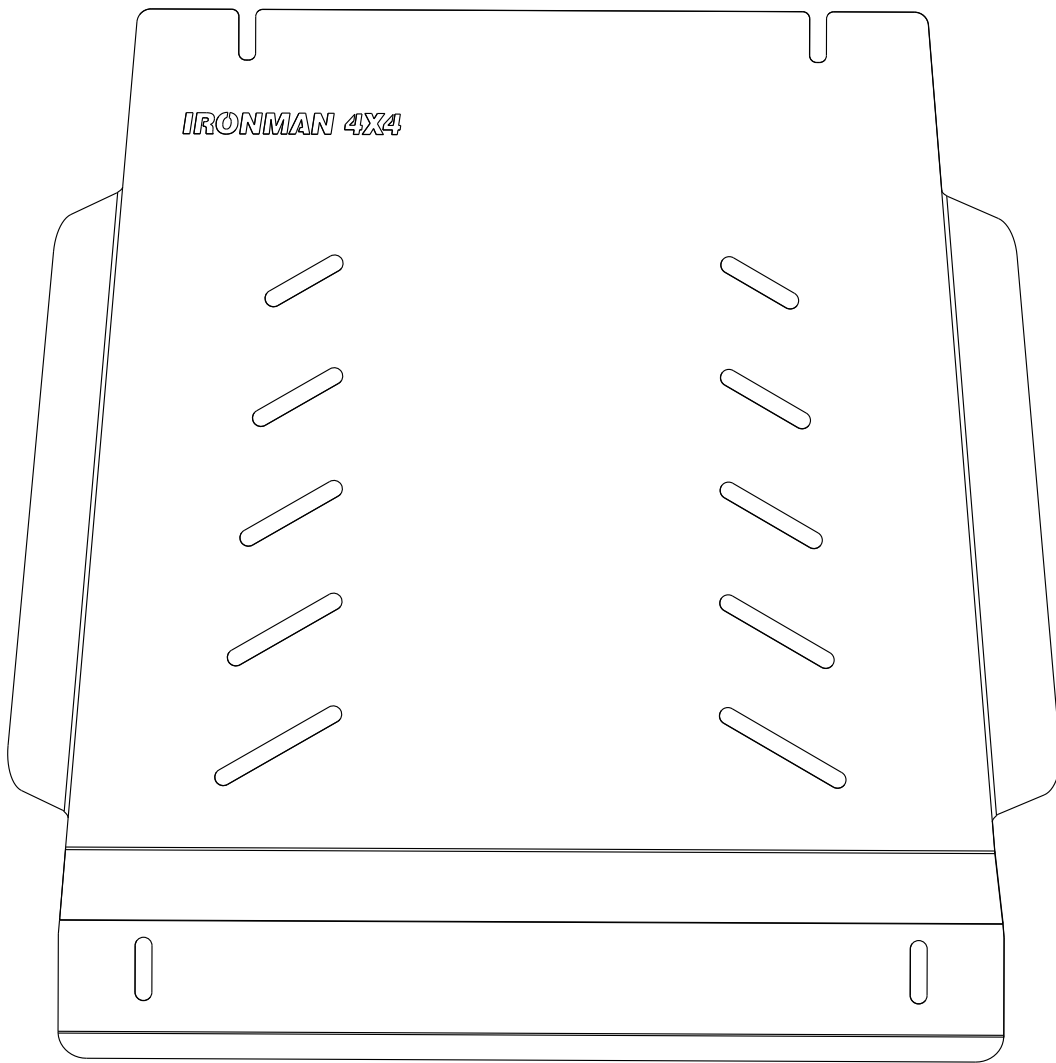
Location/Position Arrow



Movement Arrow

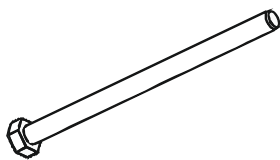


A



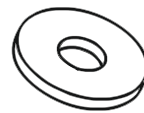
1X

B



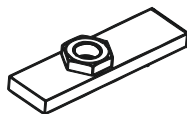
2X

C



2X

D

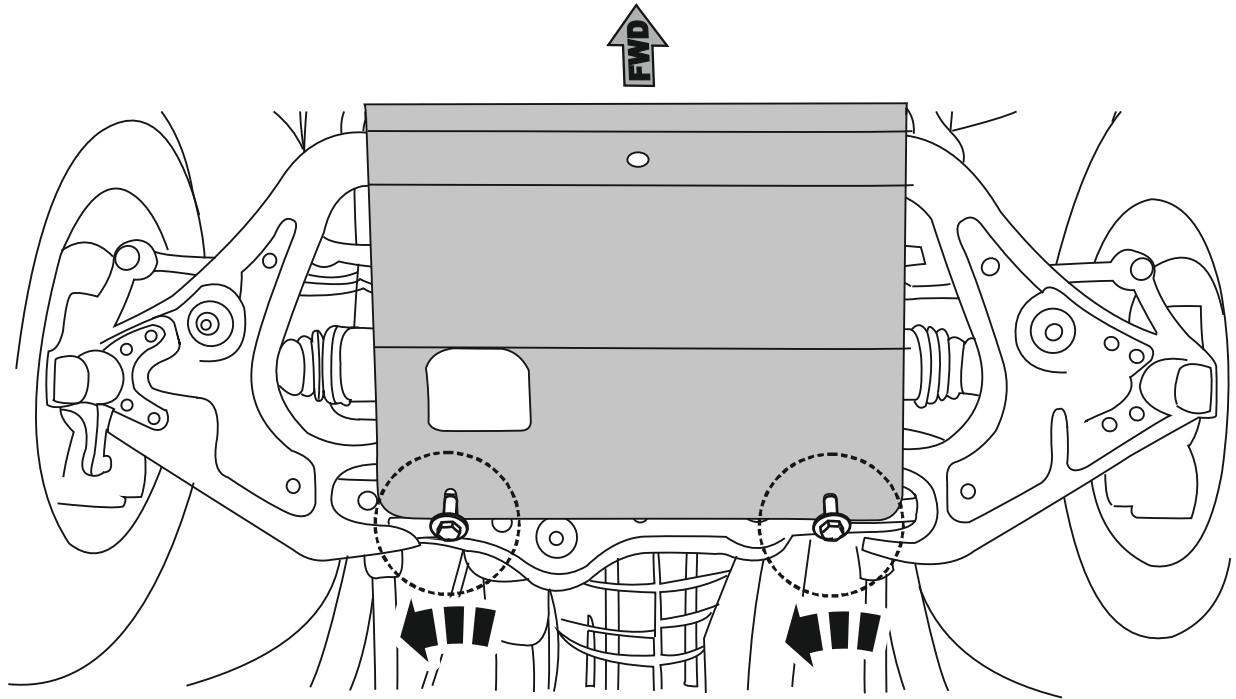


2X

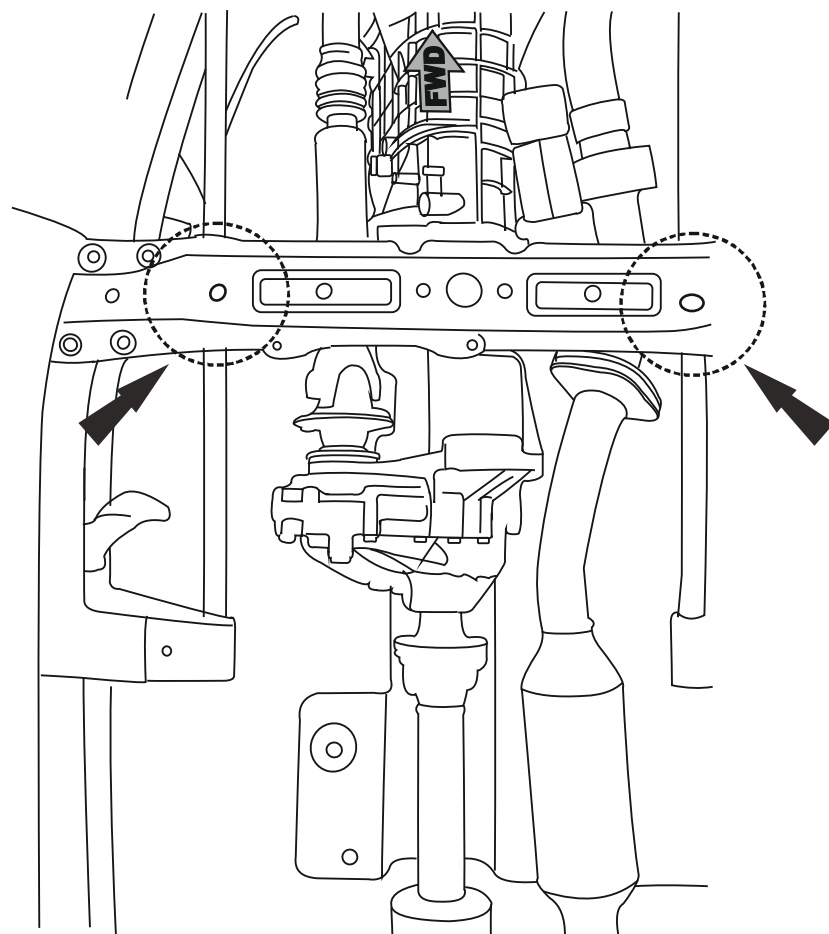


IUP008T

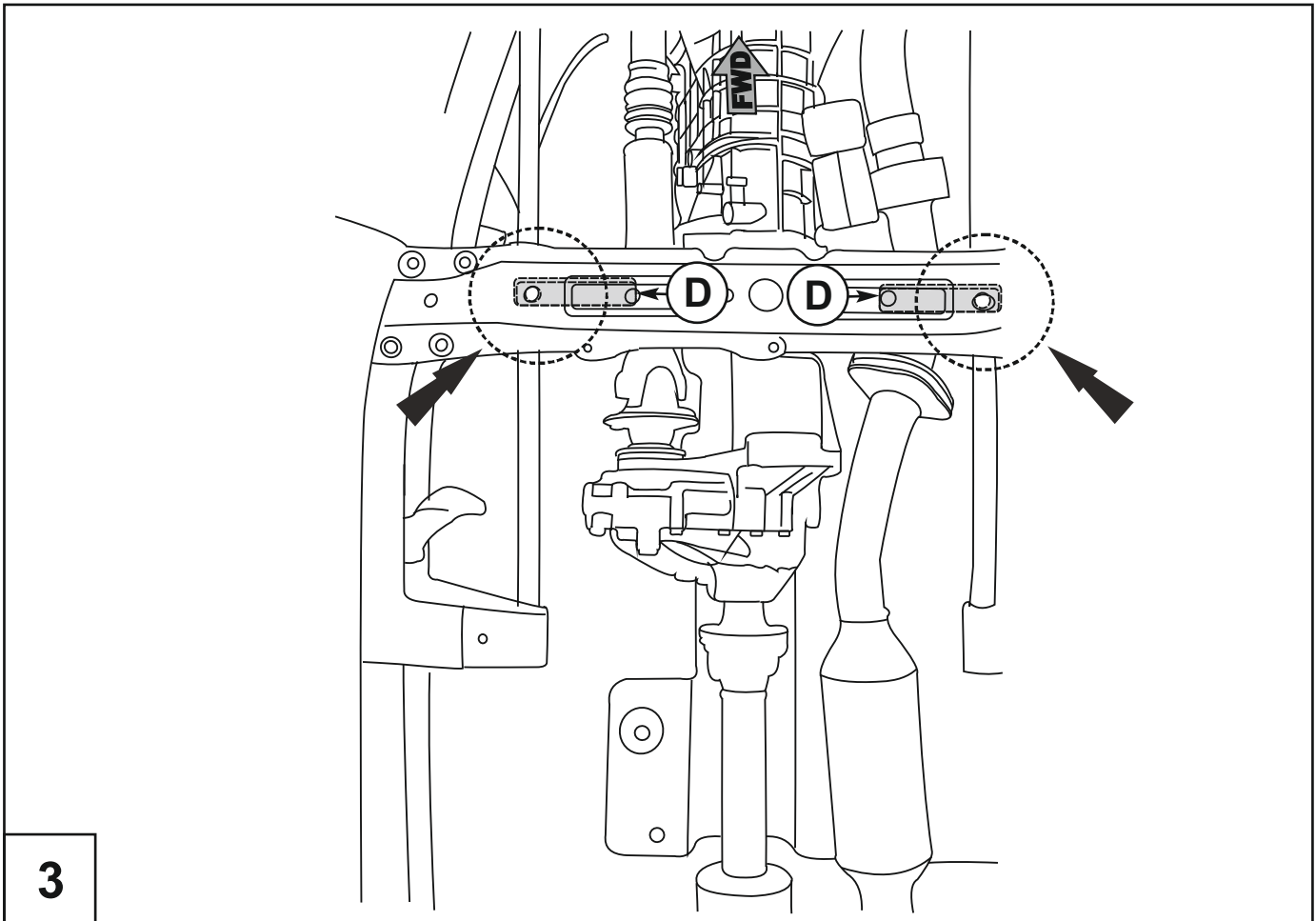
3/6



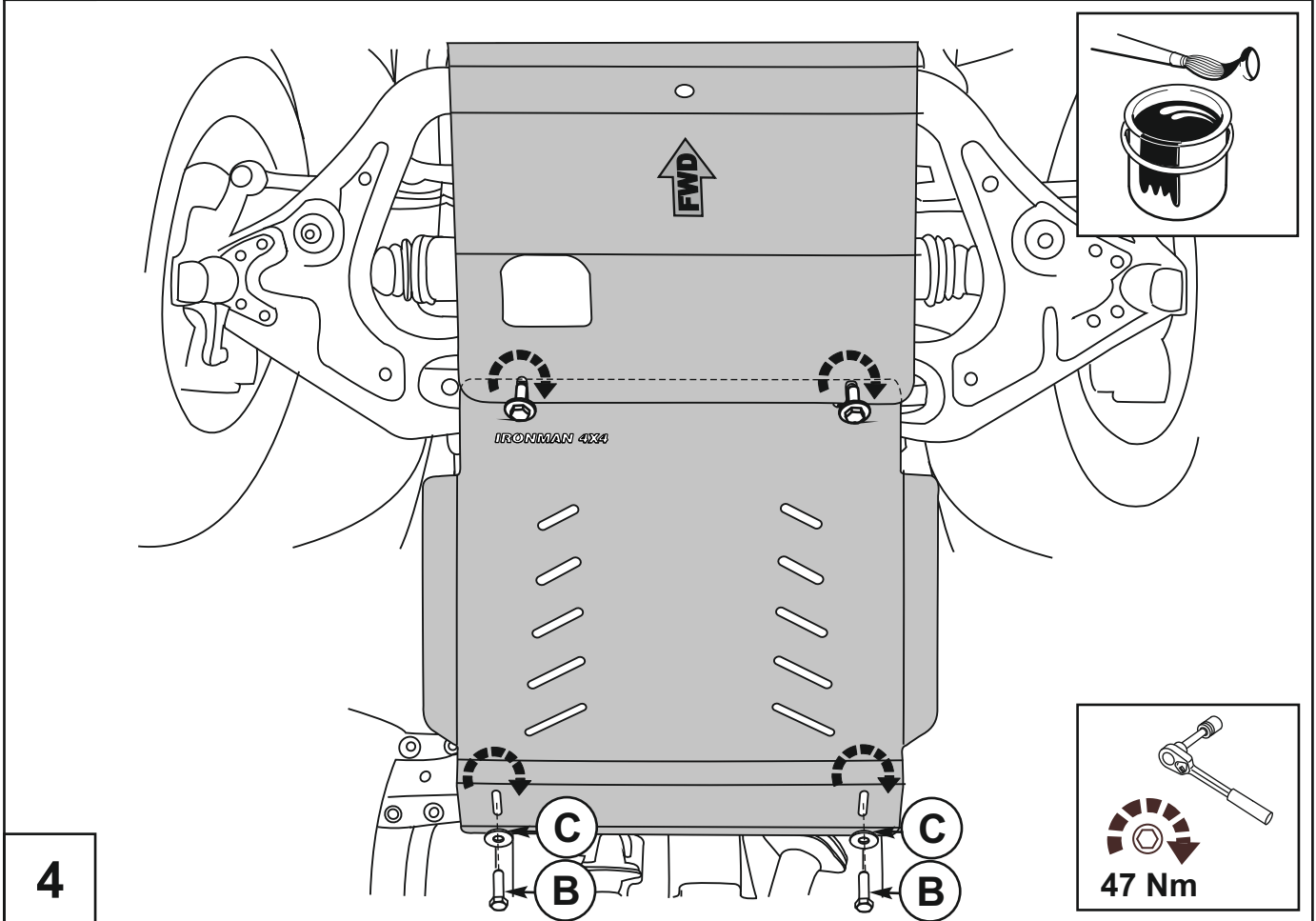
1



2



3

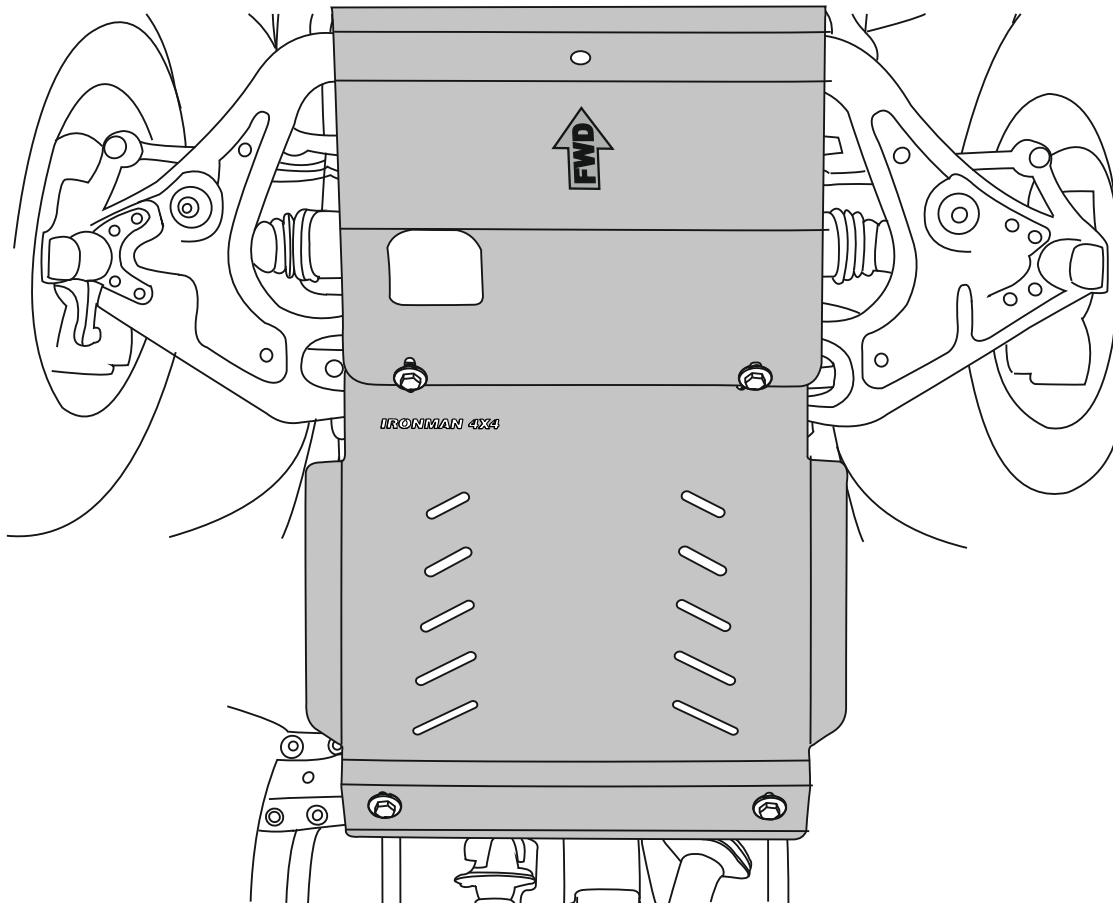


4



IUP008T

5/6



5

www.ironman4x4.com

**IRONMAN 4X4
MELBOURNE SHOWROOM**
Cnr Centre & Westall Roads,
Clayton, Victoria 3168
Telephone +61 3 9532 1111

**IRONMAN 4X4
BRISBANE SHOWROOM**
1 Hinkler Court
Brendale, QLD, 4500
Telephone (07) 3482 9500

**IRONMAN 4X4
PERTH SHOWROOM**
Unit 9/511 Abernethy Road
Kewdale, WA, 6105
Telephone (08) 6254 4444



IUP008T

6/6