



# Installation Instructions for IUP003E

Toyota Prado 150

Underbody Protection Plate

Engine Bay



Model Year 2009

Part Number IUP003E



Weight 19.83Kg



Installation Time 30min

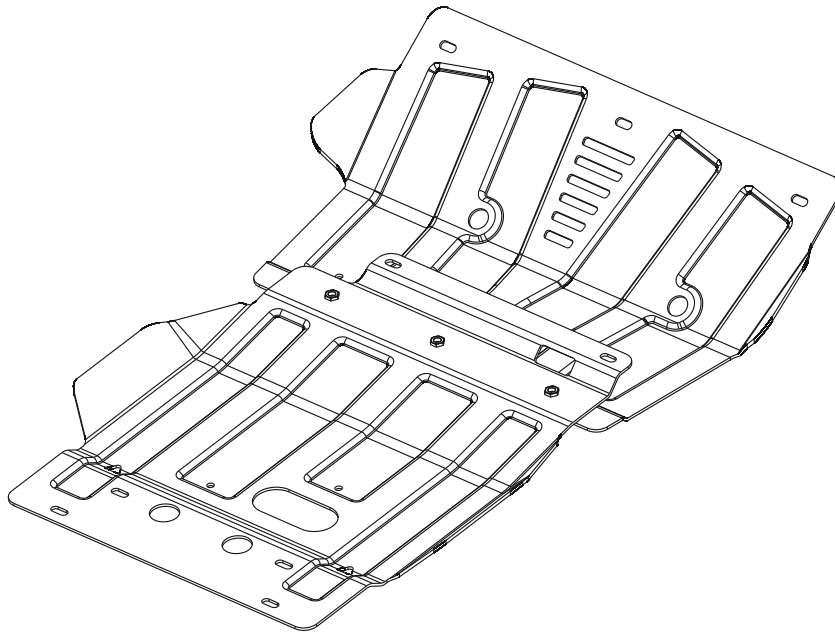
[www.ironman4x4.com](http://www.ironman4x4.com)

**IRONMAN 4X4  
MELBOURNE SHOWROOM**  
Cnr Centre & Westall Roads,  
Clayton, Victoria 3168  
Telephone +61 3 9532 1111

**IRONMAN 4X4  
BRISBANE SHOWROOM**  
1 Hinkler Court  
Brendale, QLD, 4500  
Telephone (07) 3482 9500

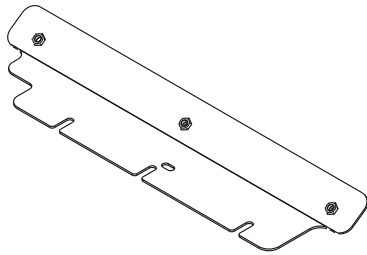
**IRONMAN 4X4  
PERTH SHOWROOM**  
Unit 9/511 Abernethy Road  
Kewdale, WA, 6105  
Telephone (08) 6254 4444

**A**



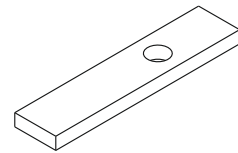
IUP003E

**B**



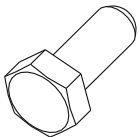
X1

**C**



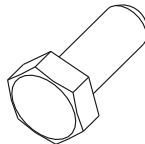
X 2 SD 3004

**D1**



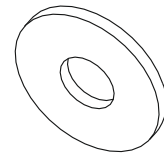
8 x M 10x 20

**D2**

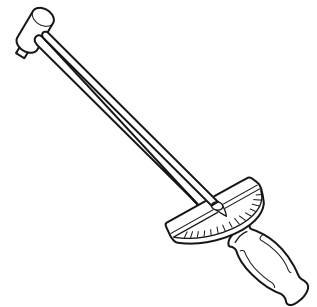
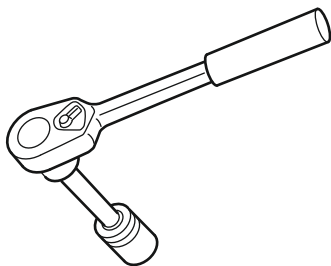


2 x M 10x1.25x30

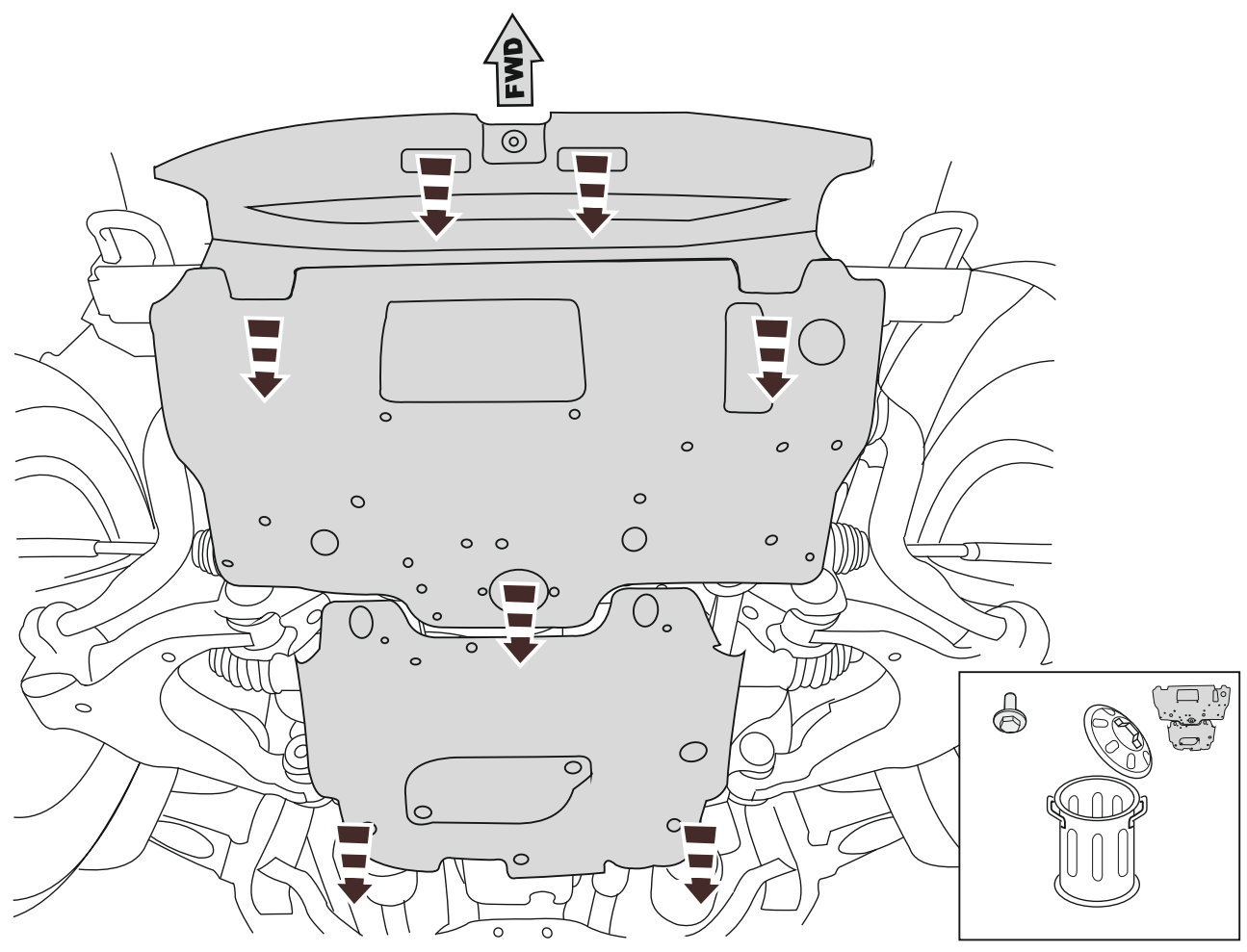
**E**



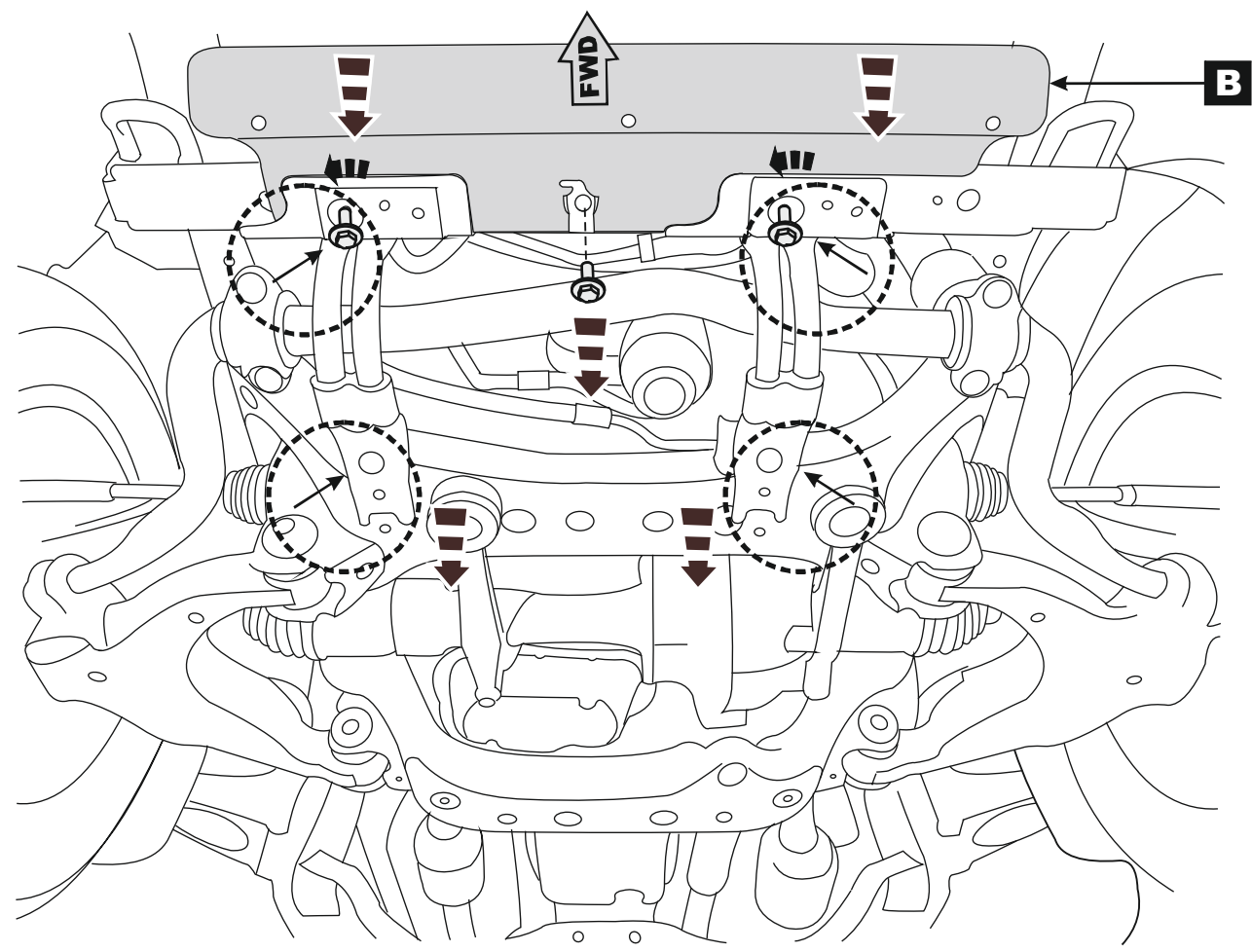
X 10 Ø 10



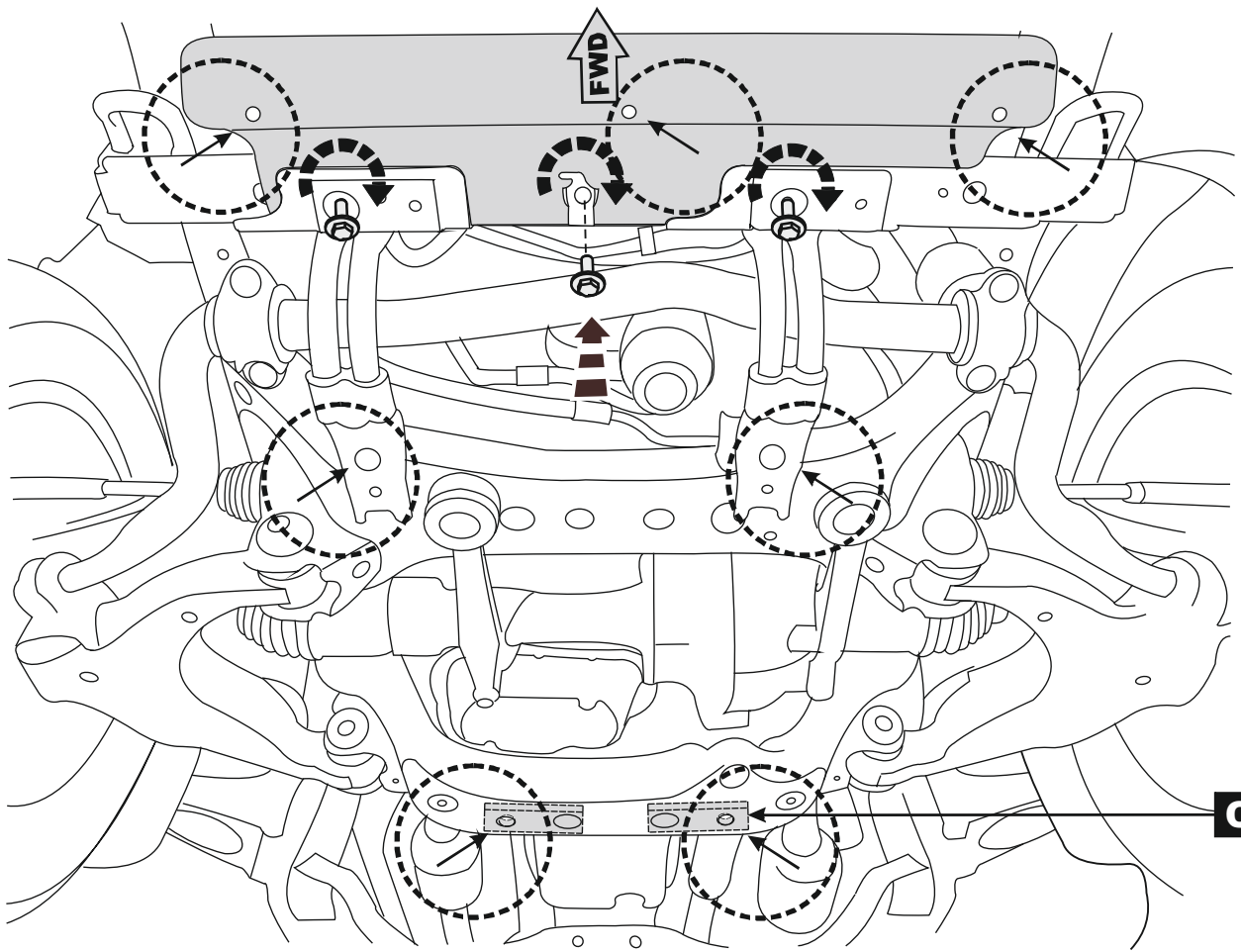
**1**



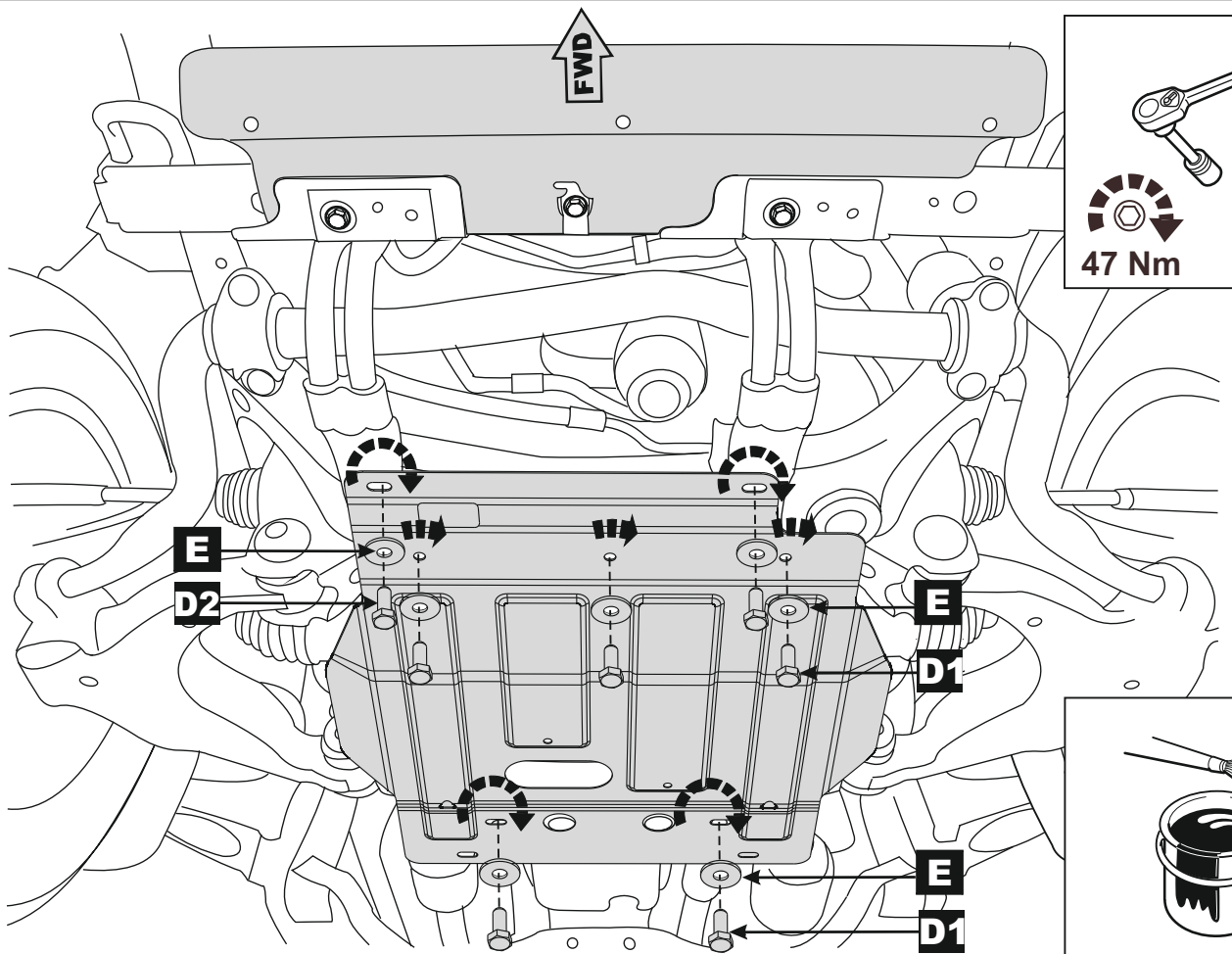
**2**



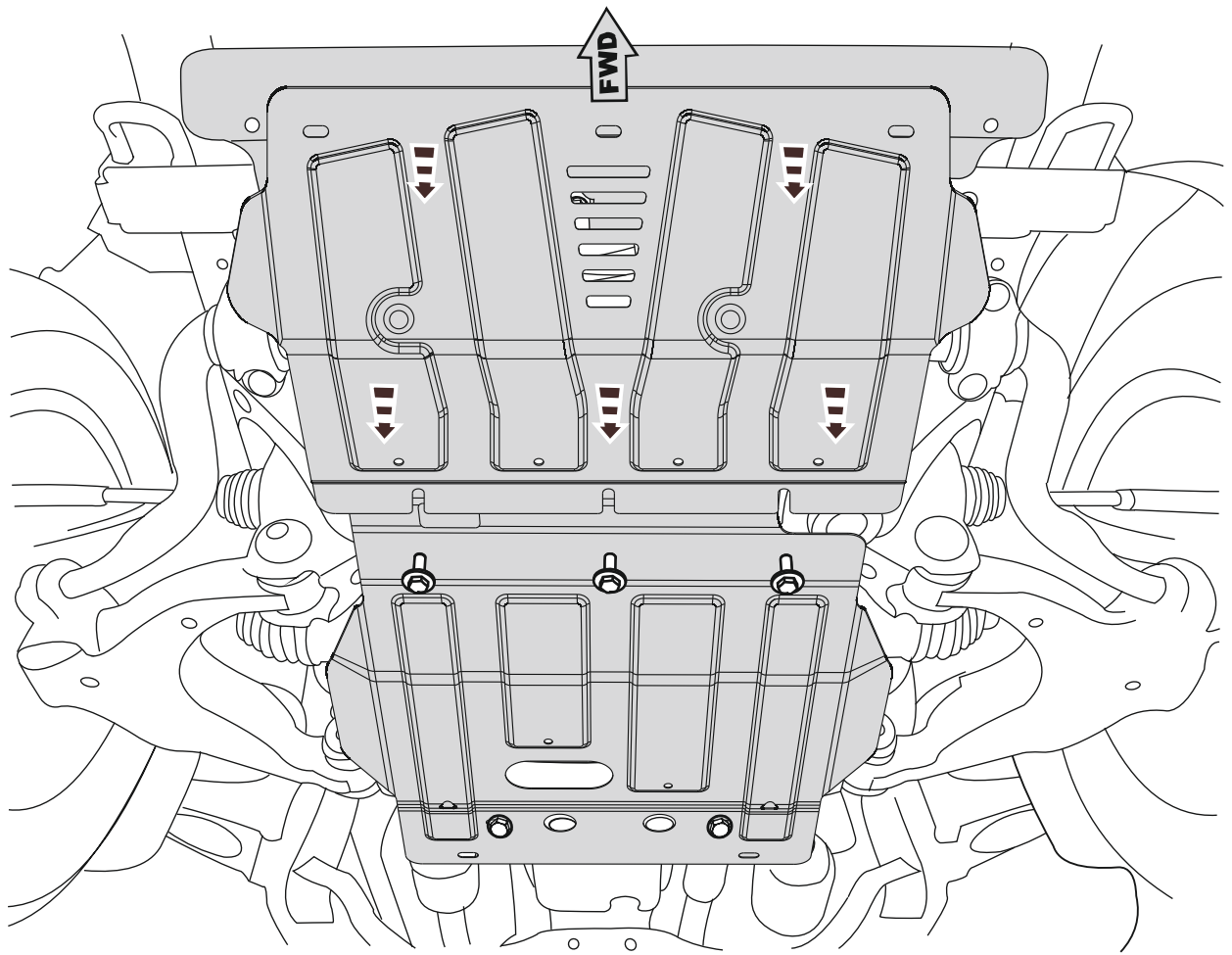
**3**



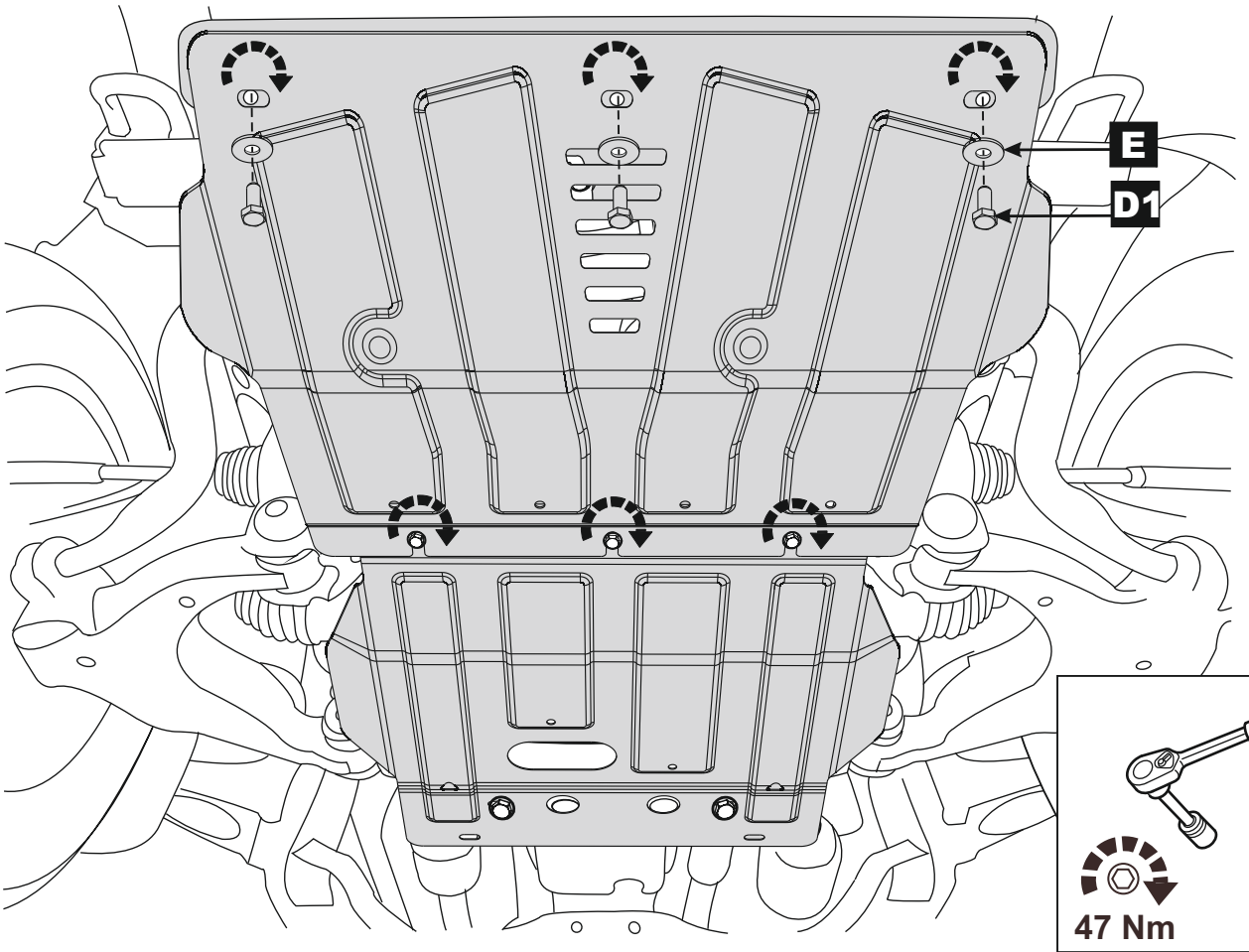
**4**



**5**




**6**



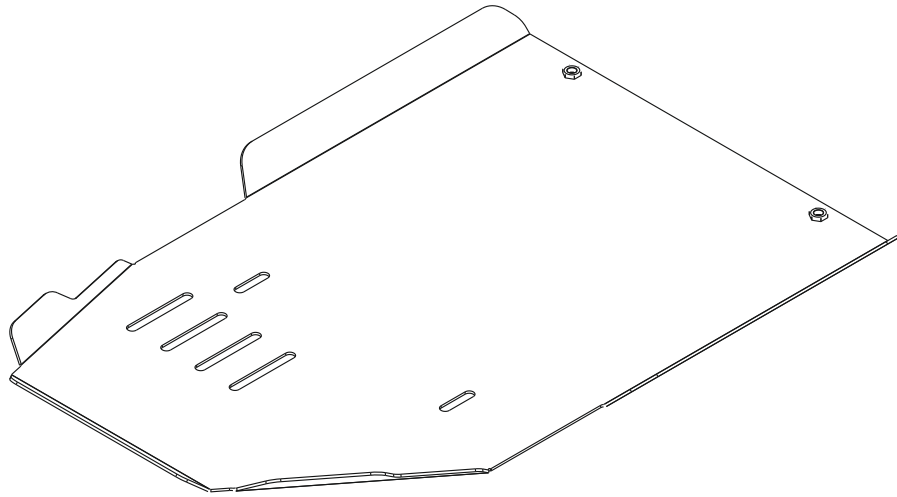


# Installation Instructions for IUP003T Toyota Prado 150 Underbody Protection Plate Transmission



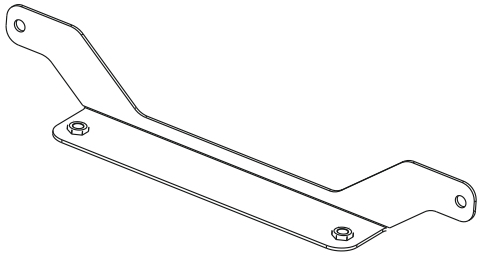
Model year	PZ4AL-07700-00	2009-
Part Number		IUP003T
 Weight		11.75Kg
 Installation Time		10min

**A**



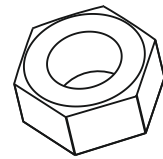
IUP003T

**B**



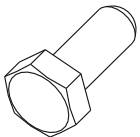
X1

**C**



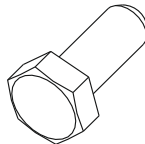
X 2 10

**D1**



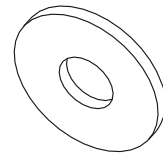
4 x M 10x 20

**D2**

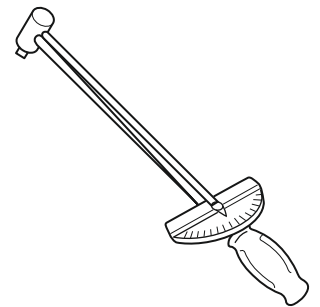
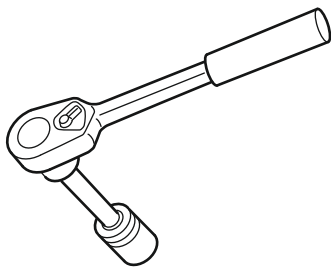


2 x M 10x110

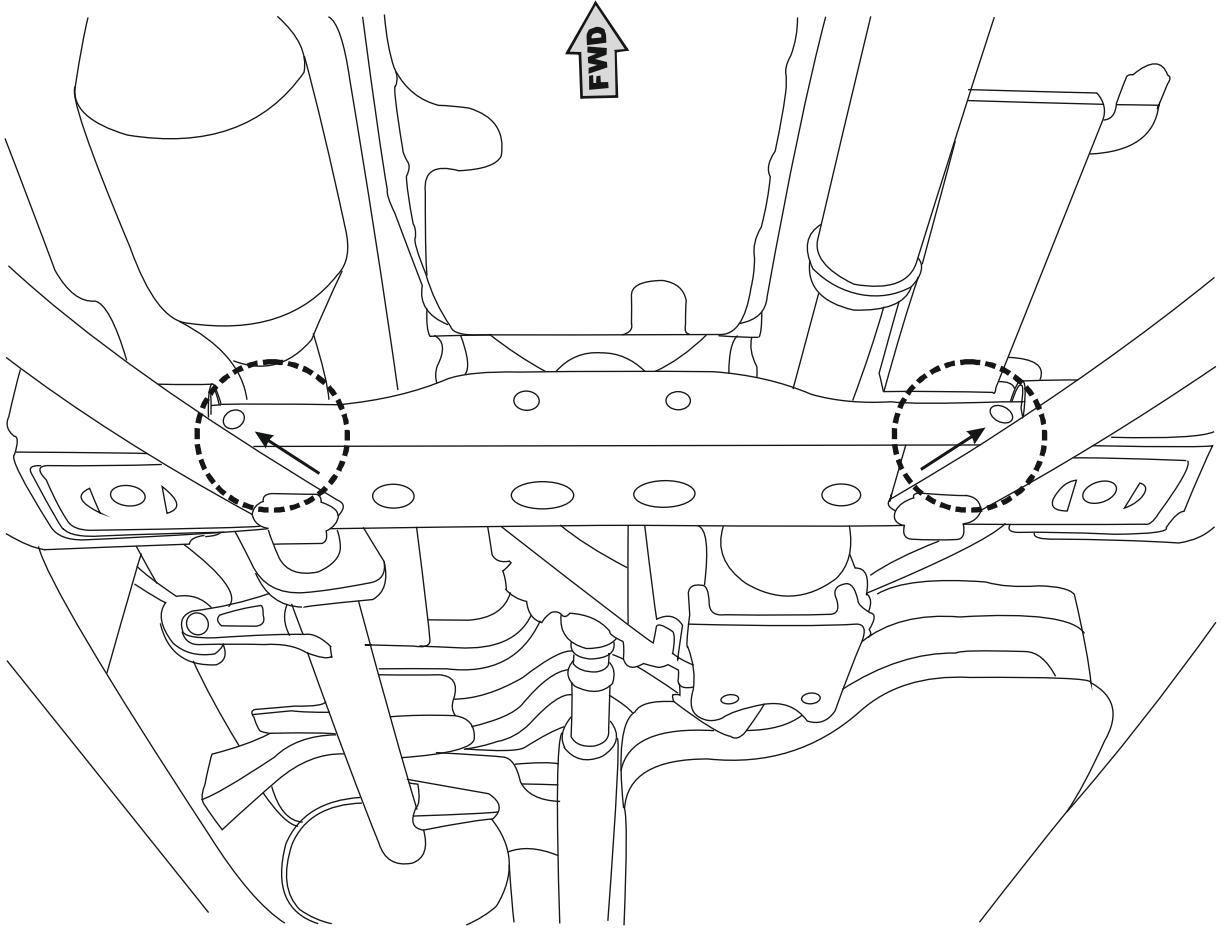
**E**



X 8 Ø10



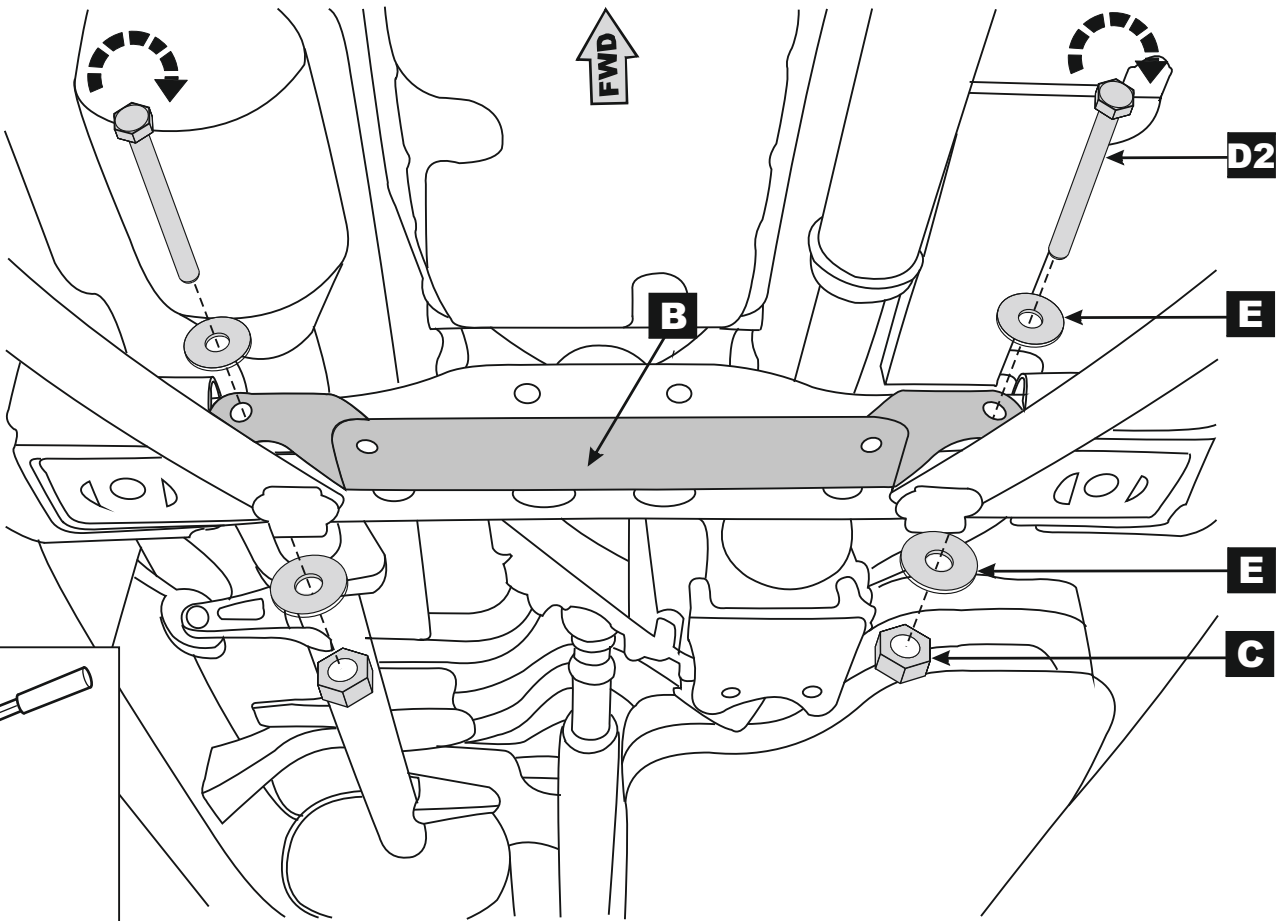
**1**



**2A**

**LEXUS GX 460**

**Toyota Prado 150 Diesel**



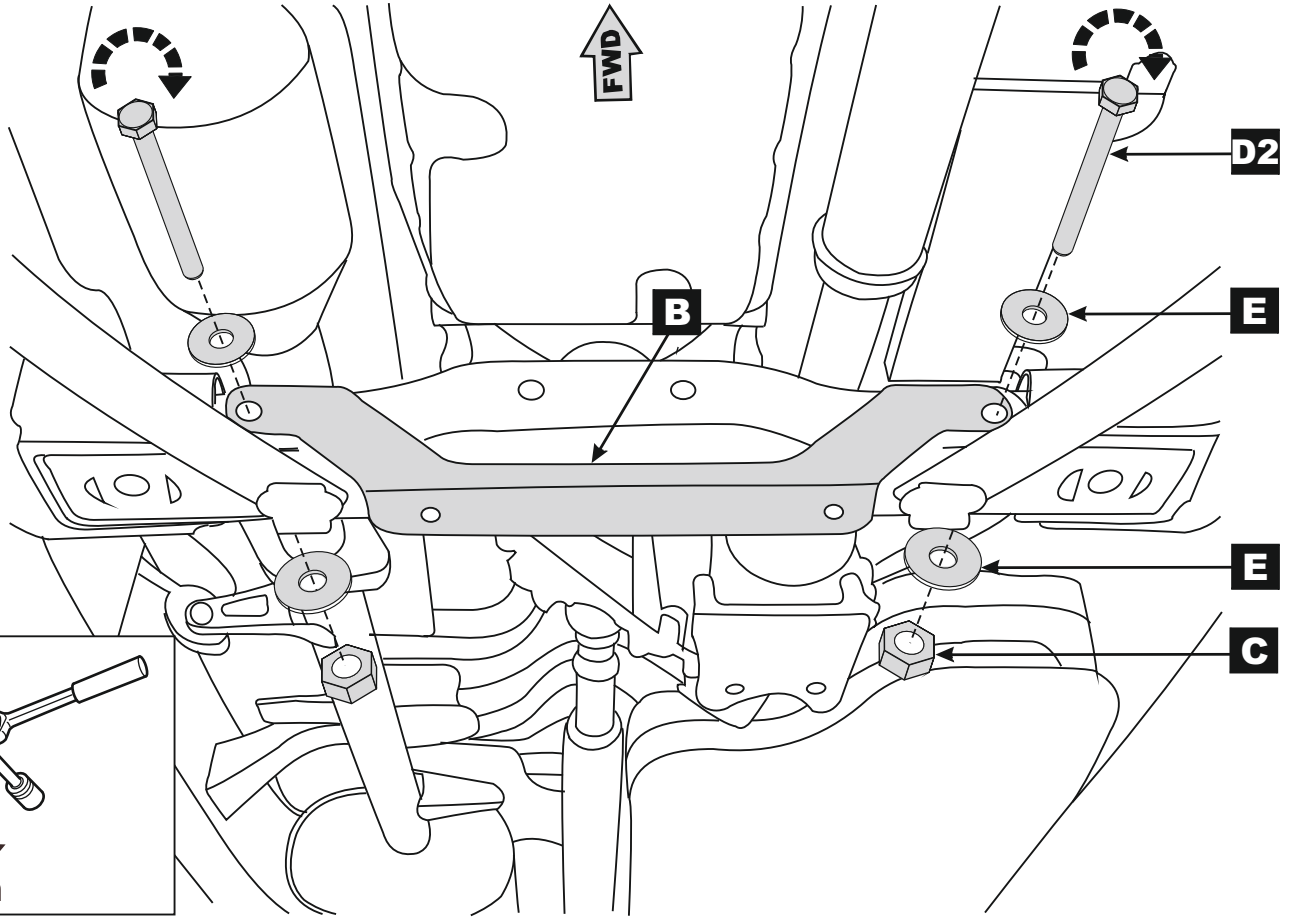
Part number:  
IUP003T

Page:  
3/5

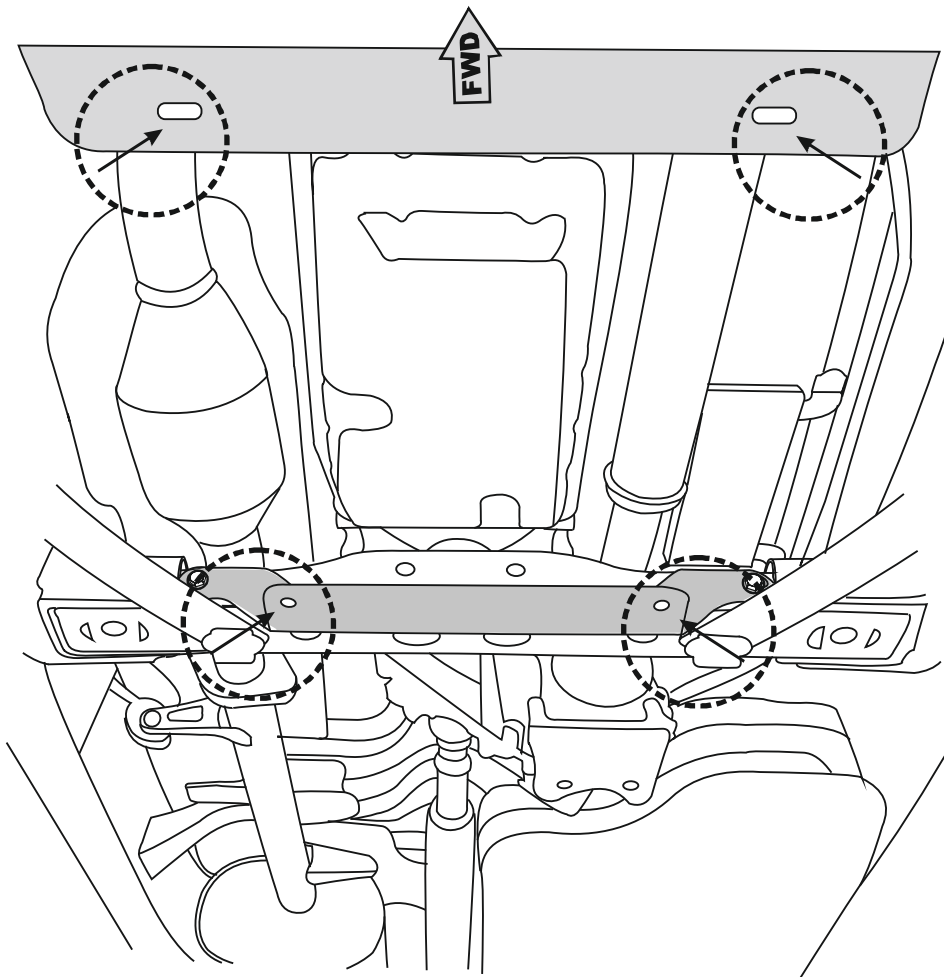


**2B**

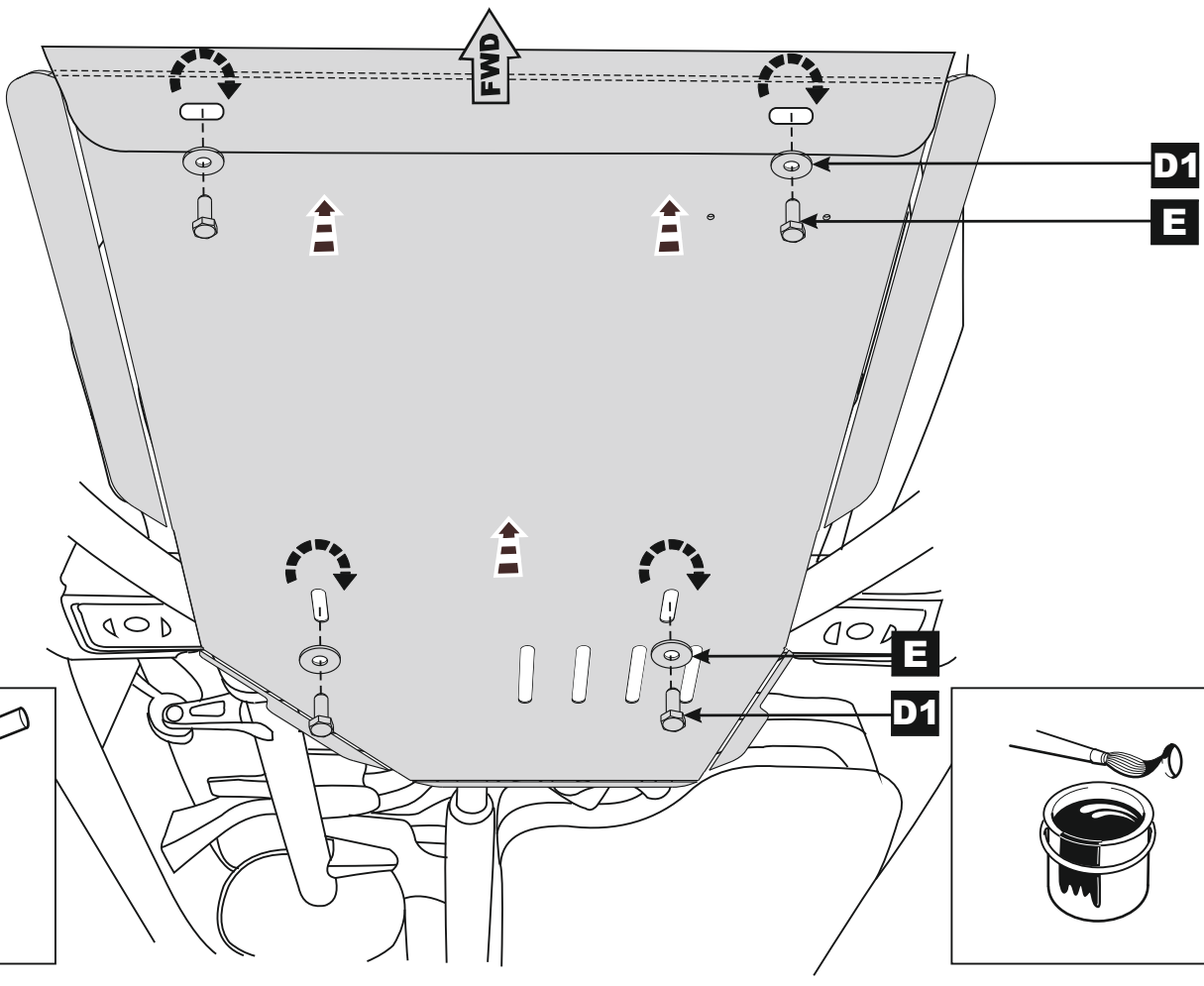
# Toyota Prado 150 Petrol



**3**



4



[www.ironman4x4.com](http://www.ironman4x4.com)

**IRONMAN 4X4  
MELBOURNE SHOWROOM**  
Cnr Centre & Westall Roads,  
Clayton, Victoria 3168  
Telephone +61 3 9532 1111

**IRONMAN 4X4  
BRISBANE SHOWROOM**  
1 Hinkler Court  
Brendale, QLD, 4500  
Telephone (07) 3482 9500

**IRONMAN 4X4  
PERTH SHOWROOM**  
Unit 9/511 Abernethy Road  
Kewdale, WA, 6105  
Telephone (08) 6254 4444

Part number:  
IUP003T

Page:  
5/5