



# Installation Instructions for IUP002E

Toyota Prado 120

Underbody Protection Plate

Engine Bay



Model Year: 2003-

Part Number: IUP002E



Weight: 26 kg



Installation Time 30 min

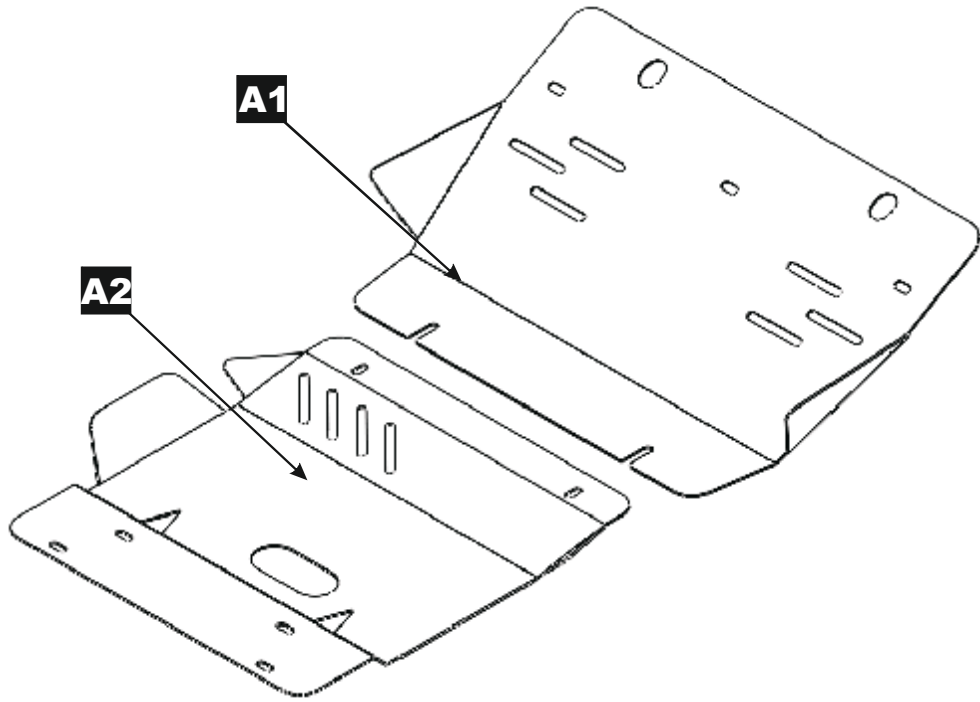
[www.ironman4x4.com](http://www.ironman4x4.com)

**IRONMAN 4X4  
MELBOURNE SHOWROOM**  
Cnr Centre & Westall Roads,  
Clayton, Victoria 3168  
Telephone +61 3 9532 1111

**IRONMAN 4X4  
BRISBANE SHOWROOM**  
1 Hinkler Court  
Brendale, QLD, 4500  
Telephone (07) 3482 9500

**IRONMAN 4X4  
PERTH SHOWROOM**  
Unit 9/511 Abernethy Road  
Kewdale, WA, 6105  
Telephone (08) 6254 4444

Part number: IUP002E

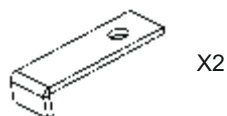


IUP002E

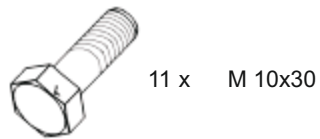
**B1**



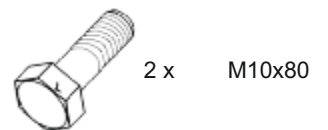
**B2**



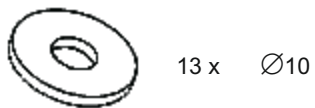
**C1**



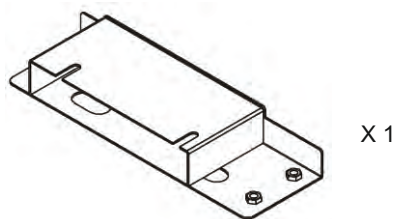
**C2**



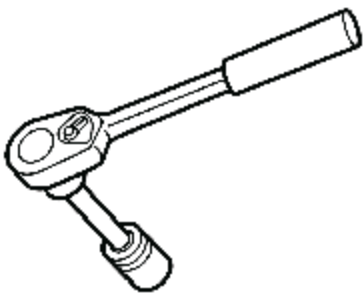
**D**



**E**



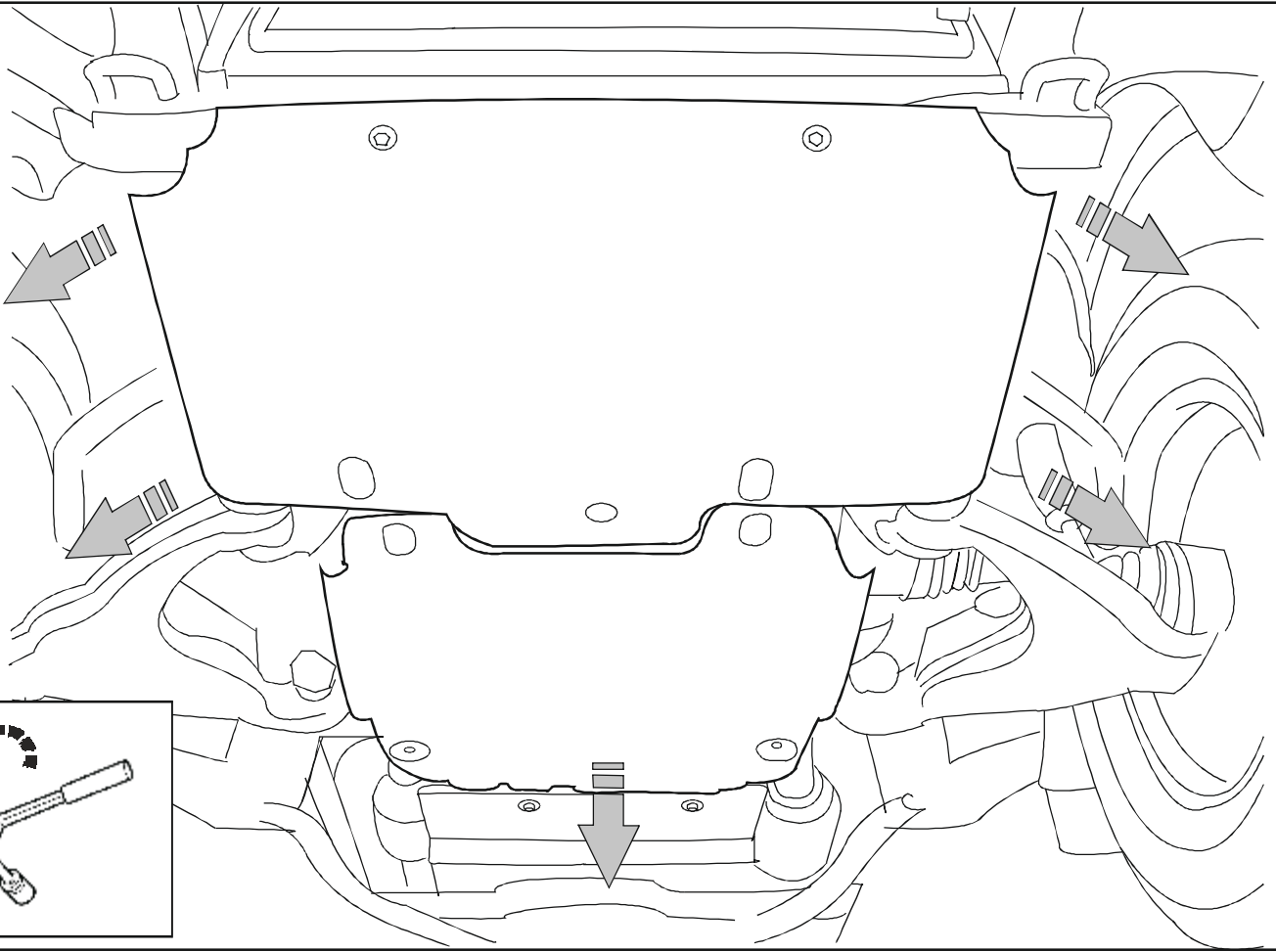
**F**



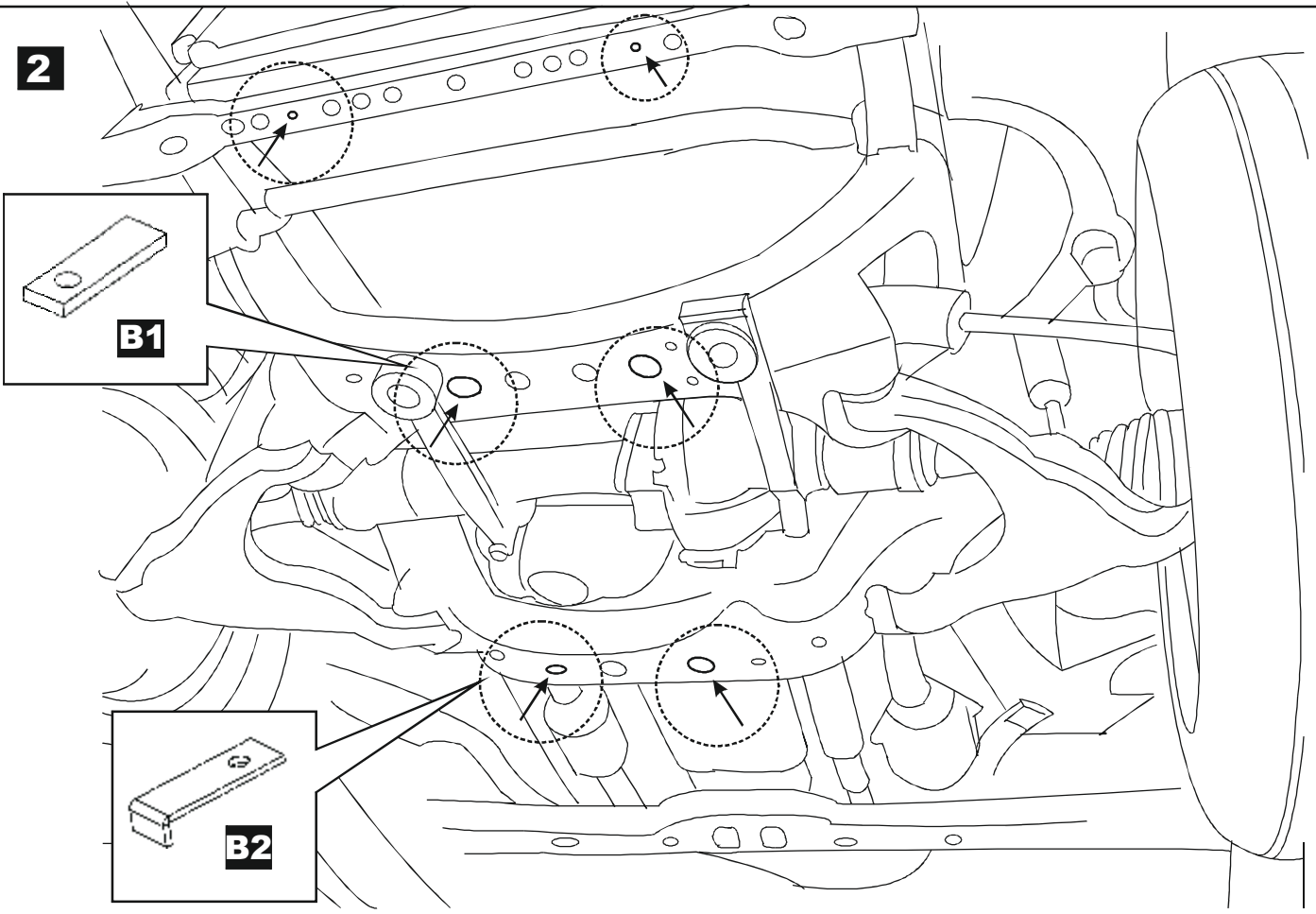
Part number:  
IUP002E

Page:  
2/5

**1**



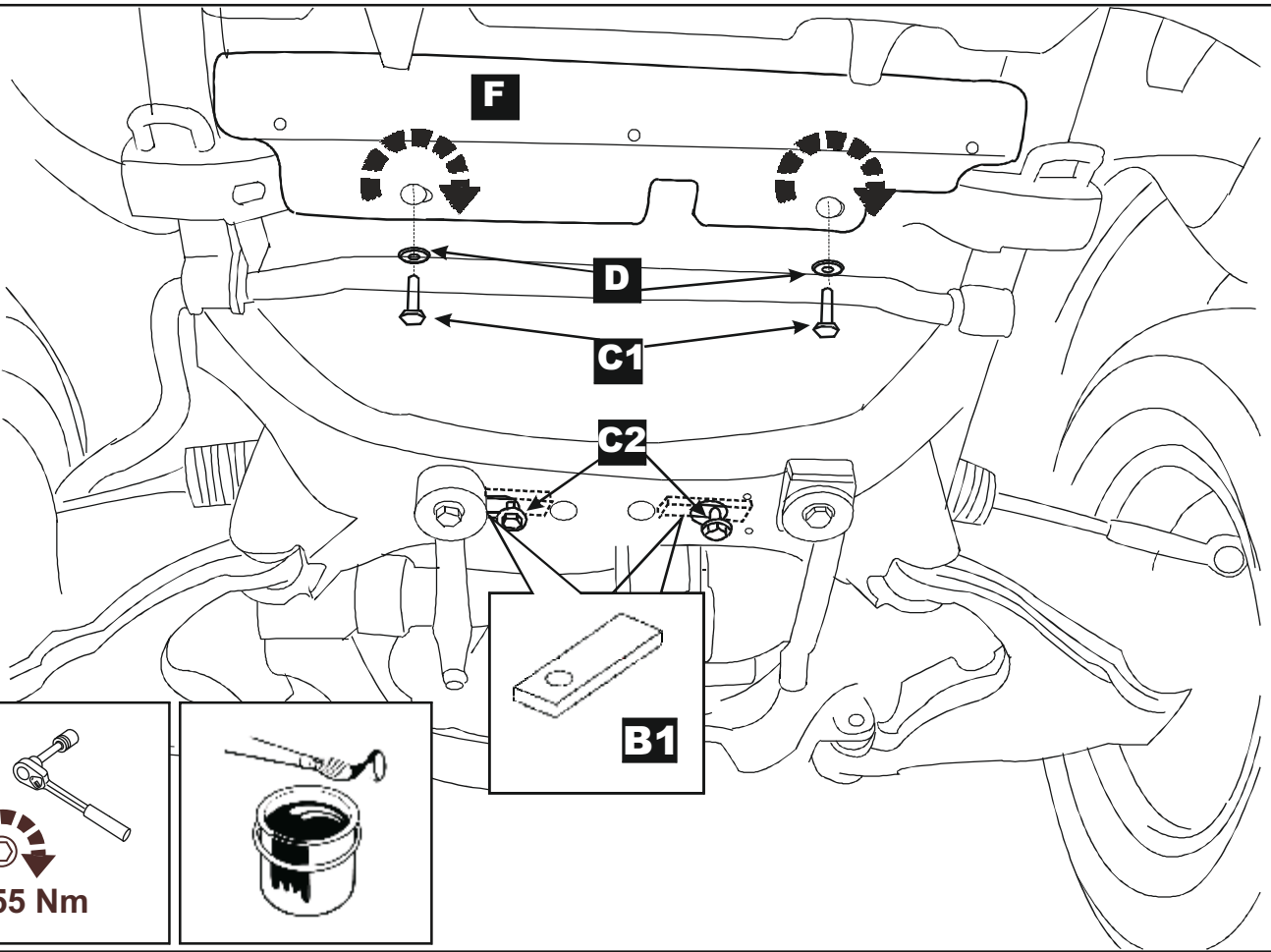
**2**



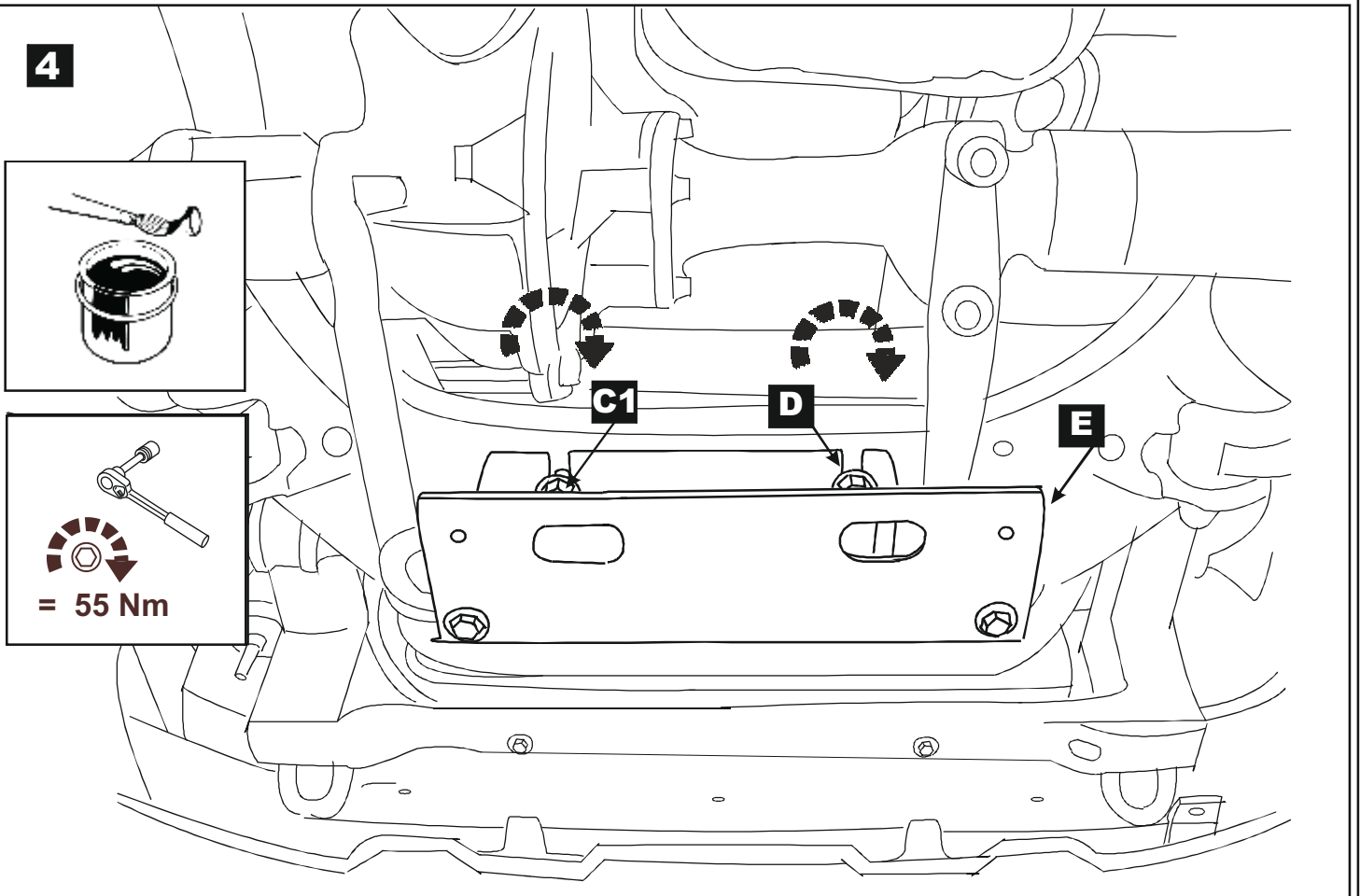
Part number:  
IUP002E

Page:  
3/5

**3**

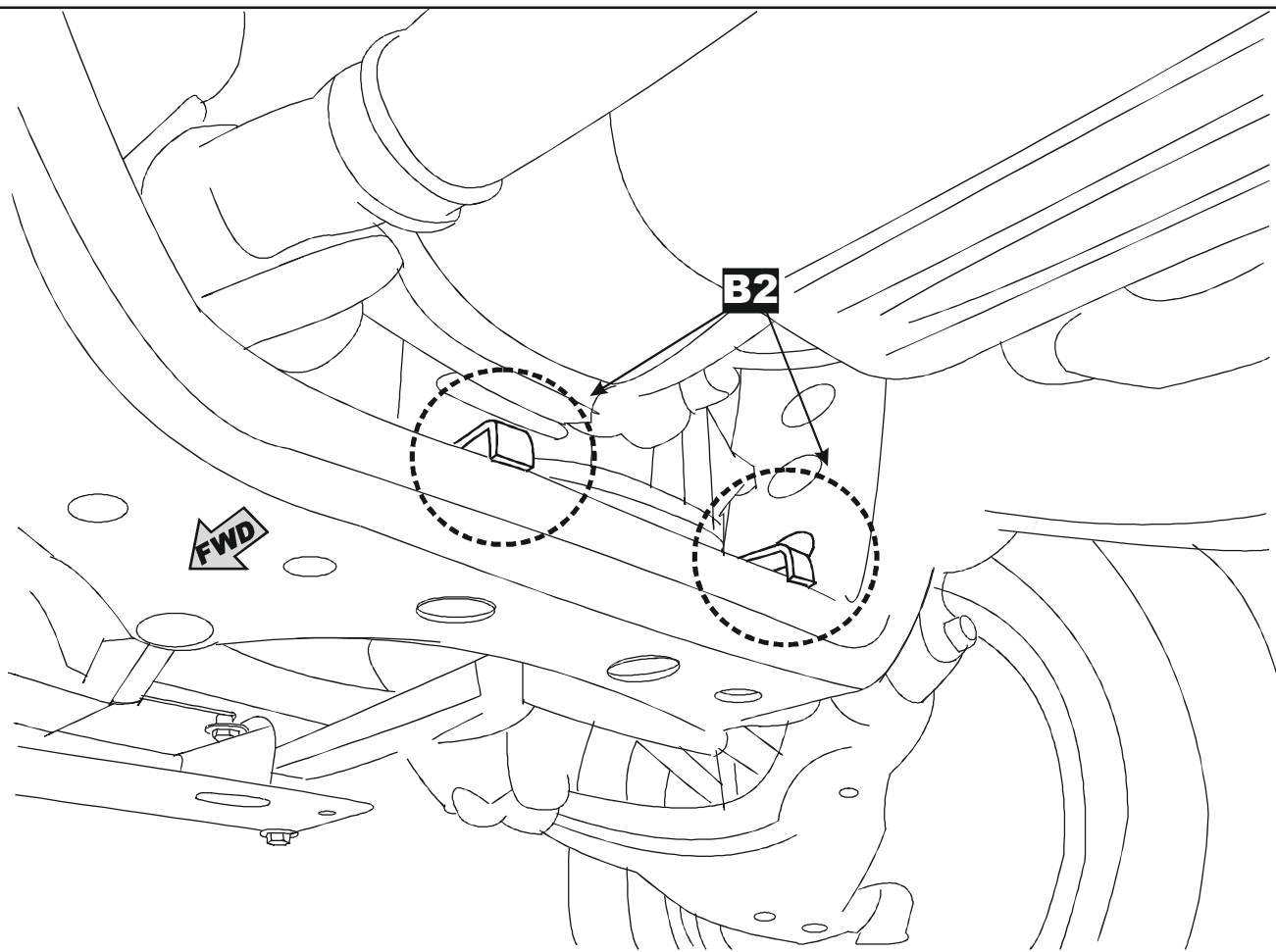


**4**

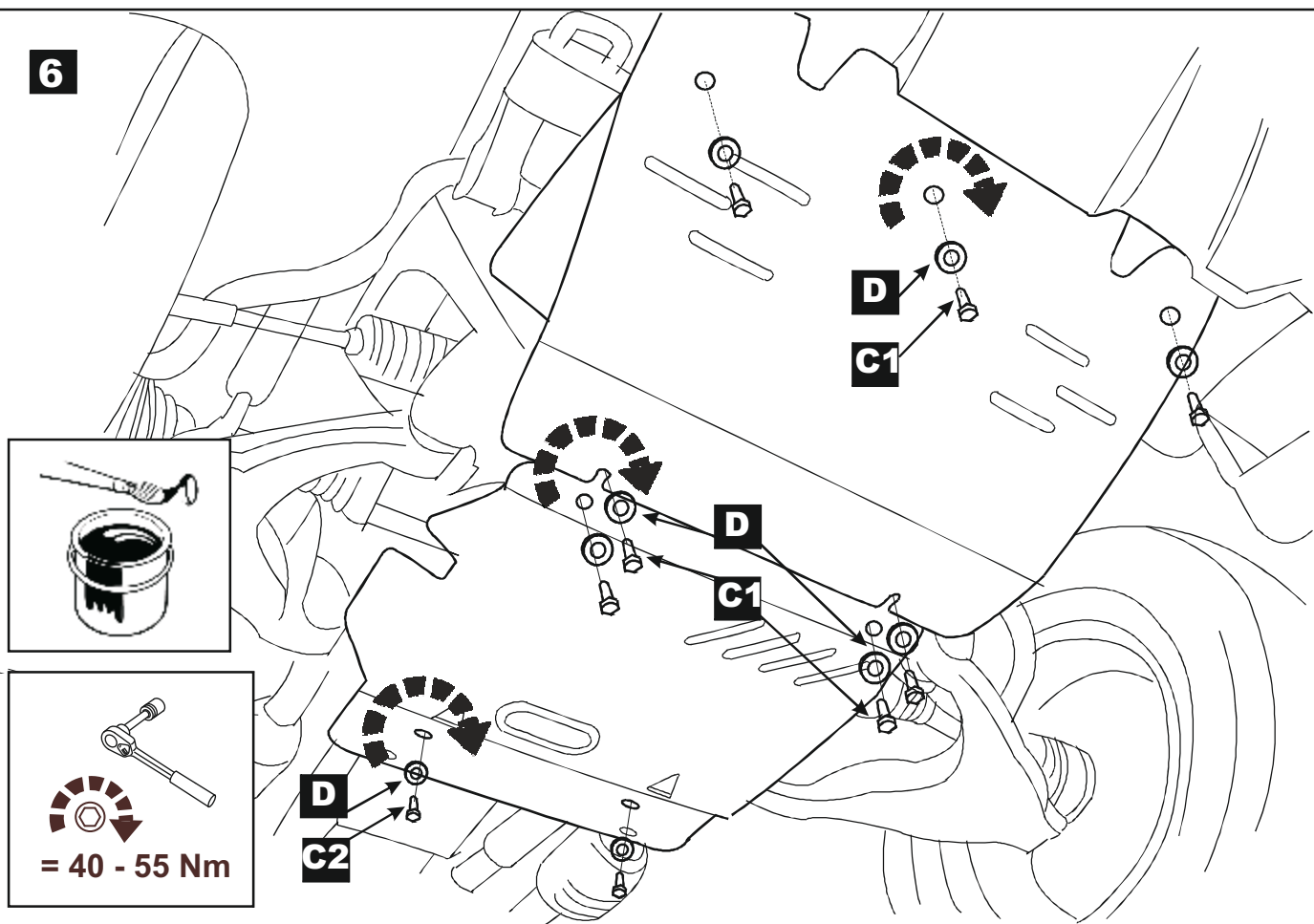




5



6





Fitment Instructions

Model: TOYOTA Prado 120

Underbody Protection Plate

Part Number: IUP002T

Transmission

Years: 2002 - 2009

Engine type: V6, 3.0L D

**APPLICATION:**

Protection of engine bay and transmission elements from damage.  
Protection of engine bay and transmission elements from dust and water.

**INSTALLATION:**

This protection plate has been designed for installation to the intended application only. It should be mounted according to these installation instructions by an experienced Ironman 4x4 dealer or certified fitter. The plate is fixed to original vehicle mountings located on the vehicle's body load-bearing elements. Upon successful installation the plate should not interfere with any other parts or components.

**INSTALLATION MANUAL:**

1. Insert the supplied threaded inserts within the transmission support and attach the rear beam to the vehicle with the supplied hardware.
2. Mount the front of the transmission plate to the rear of the Ironman 4x4 engine plate, and the rear of transmission plate to the installed rear beam.
3. Tighten all screw joints.

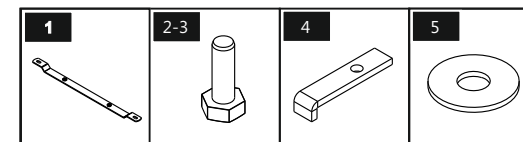
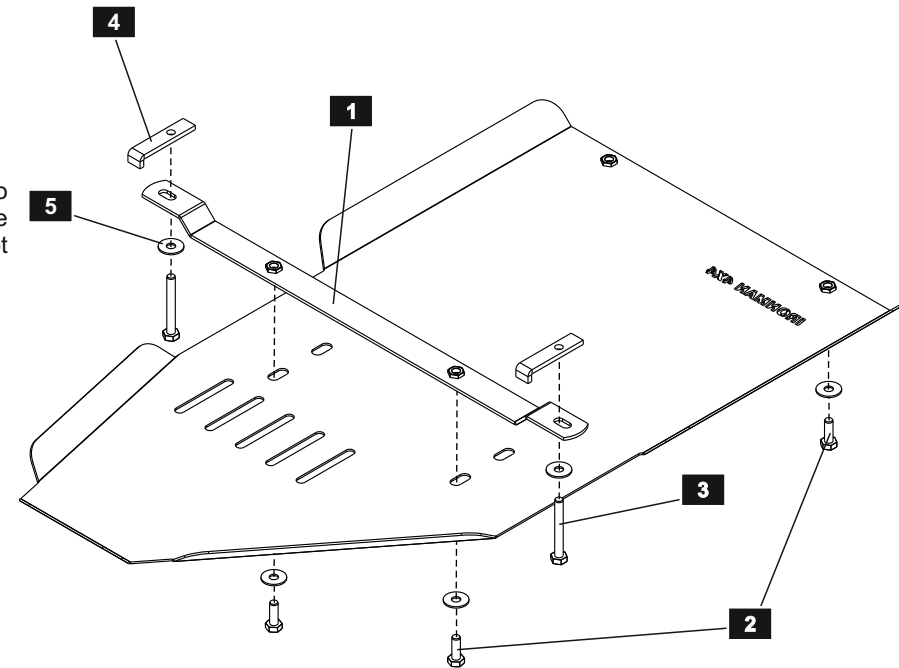
**WARRANTY:**

Warranty period - 12 Months

**WARRANTY TERMS:**

The plate should only be installed on a vehicle with undamaged body and load-bearing elements, vehicles which have been involved in a significant collision may prevent successful installation.

Ironman 4x4 does not bear liability for any damages caused to the vehicle, or injury to persons in case of installation or product failure. Ironman 4x4 has a right to introduce changes into the skid plate construction.



**LIST OF PARTS**

NO.	NAME	QTY.
1	Rear beam	1
2	Bolt M10x30	4
3	Bolt M10x80	2
4	Threaded insert	2
5	Washer 10	6



The Quality Management System at production has been audited by Bureau Veritas Certification and conforms to requirements of the ISO 9001:2008 standard.

[www.ironman4x4.com](http://www.ironman4x4.com)

**IRONMAN 4X4  
MELBOURNE SHOWROOM**  
Cnr Centre & Westall Roads,  
Clayton, Victoria 3168  
Telephone +61 3 9532 1111

**IRONMAN 4X4  
BRISBANE SHOWROOM**  
1 Hinkler Court  
Brendale, QLD, 4500  
Telephone (07) 3482 9500

**IRONMAN 4X4  
PERTH SHOWROOM**  
Unit 9/511 Abernethy Road  
Kewdale, WA, 6105  
Telephone (08) 6254 4444

Thread	M6x1.0	M8x1.25	M10x1.5	M12x1.75
Tightening torque	9.8 Nm	24.0 Nm	47.0 Nm	81.0 Nm