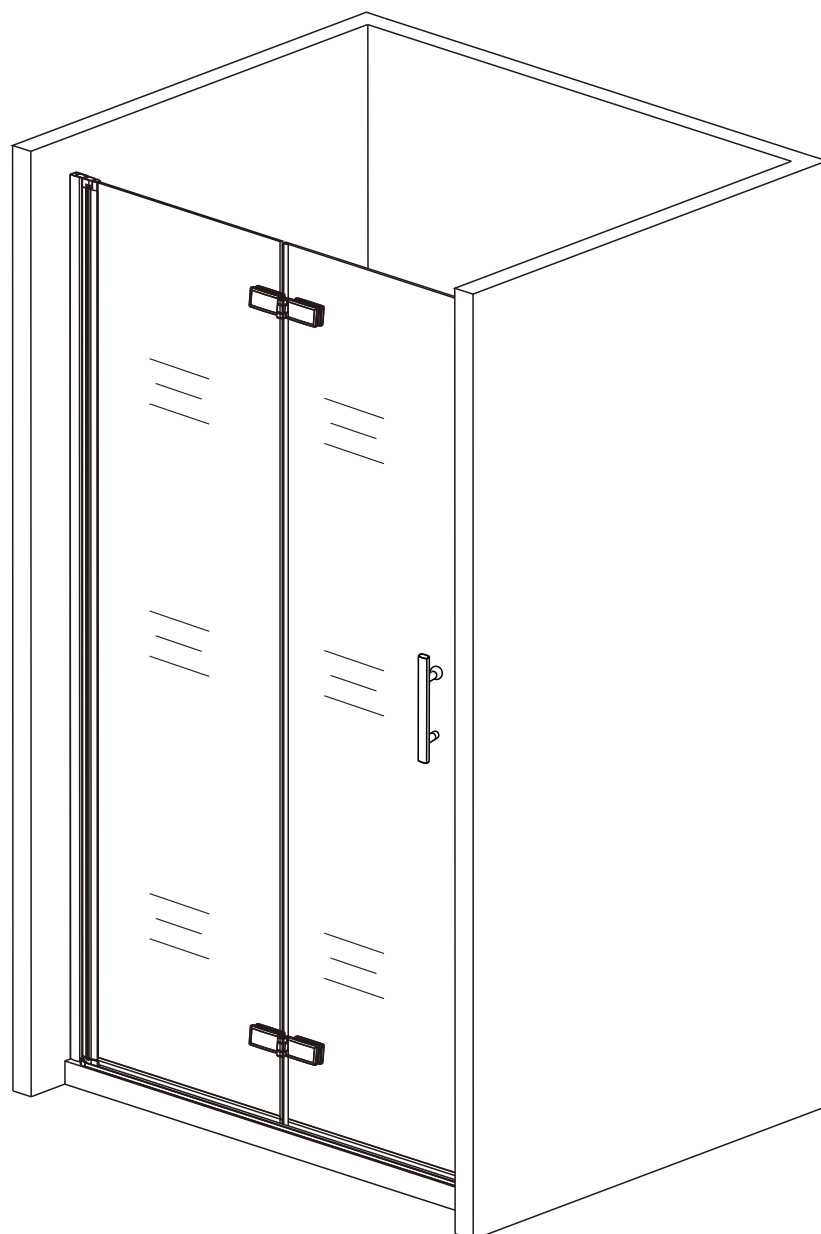


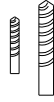
# INSTALLATION MANUAL



# TOOLS REQUIRED



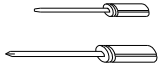
PENCIL



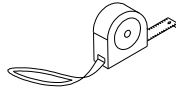
( $\varnothing 6, \varnothing 3, 2$ ) DRILL BIT



SILICONE & GUN



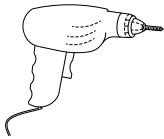
FLAT AND CROSS HEAD SCREWDRIVERS



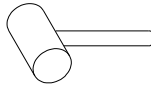
TAPE MEASURE



SPIRIT LEVEL



ELECTRIC DRILL



RUBBER HAMMER

# PACKING LIST

 B-736 X1 A	 B-735 X1 B	 B-439 X1 C	 C-380 long X1 D	 C-001 X2 E	 I-986 X1 I	 I-985 X1 J
 I-989L/R L/R X2 K	 E-029 X1 L	 I-062 X4 M	 I-065 X4 N	 I-040 X4 O	 ST*3.5X20 X2 P	 ST4*12 X4 Q
 ST4*30 X4 R	 I-988L/R X2 S	 C1-010 X1 T	 G-016 X2 U	 I-597 X1 V	 C-380 short X1 W	

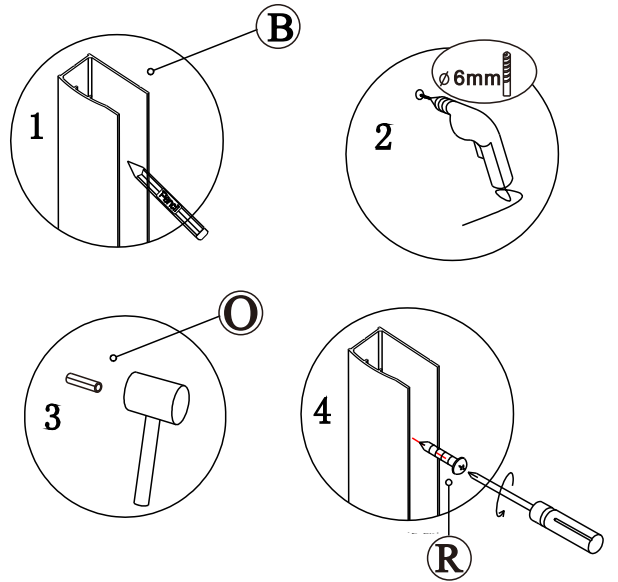
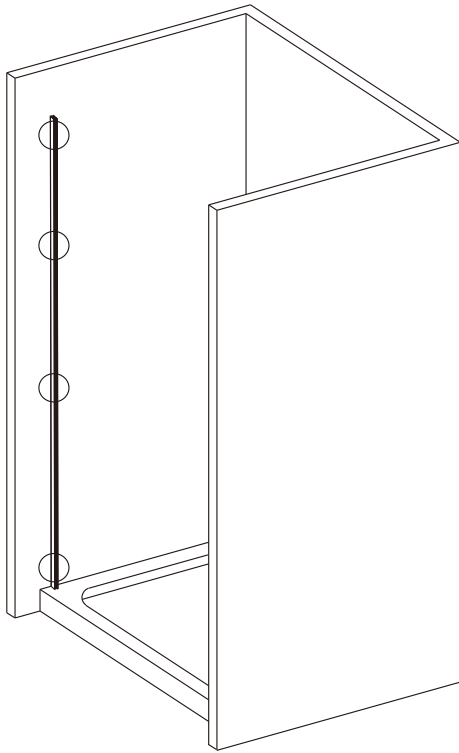
The following components are packed in another products which would be matched with this product.

 B-475 X1 a	 B-494 X1 b	 I-062 X4 c	 I-065 X4 d	 I-432 X4 e	 ST4*40 X4 f	 ST4*12 X4 g	 I-600 X1 h
----------------------	----------------------	----------------------	----------------------	----------------------	-----------------------	-----------------------	----------------------

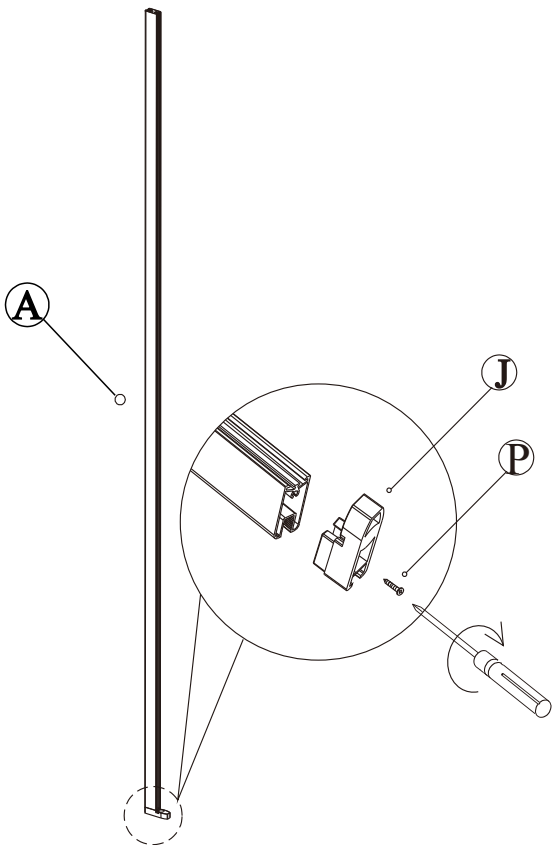
# PRODUCT SCHEMATIC DIAGRAM



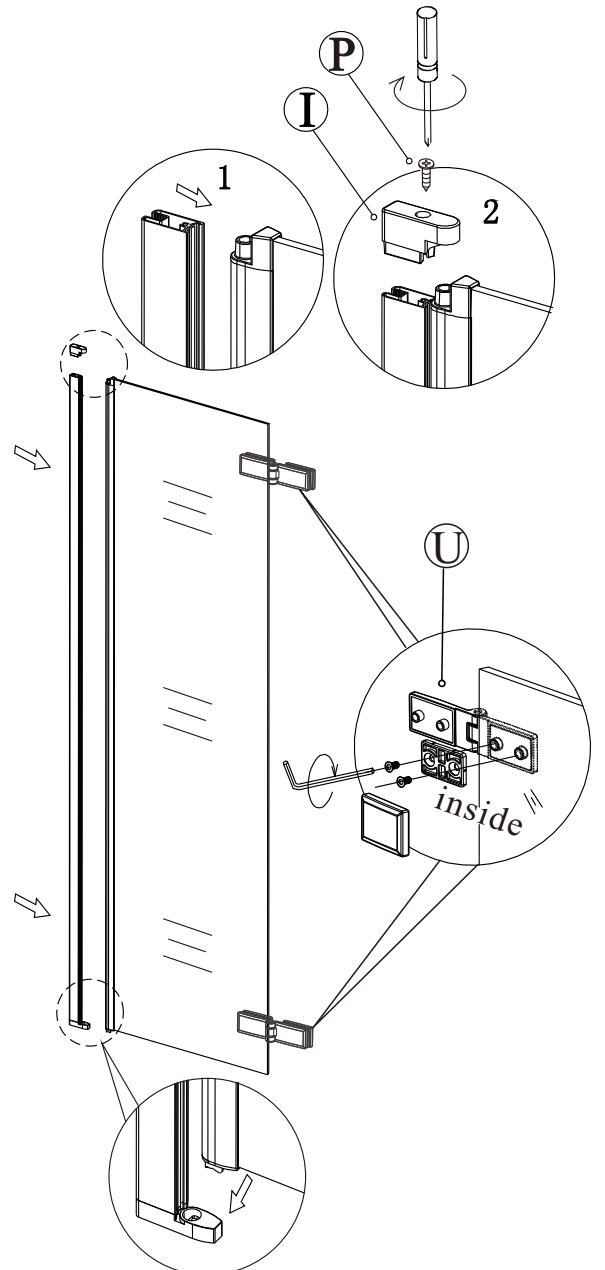
1



2

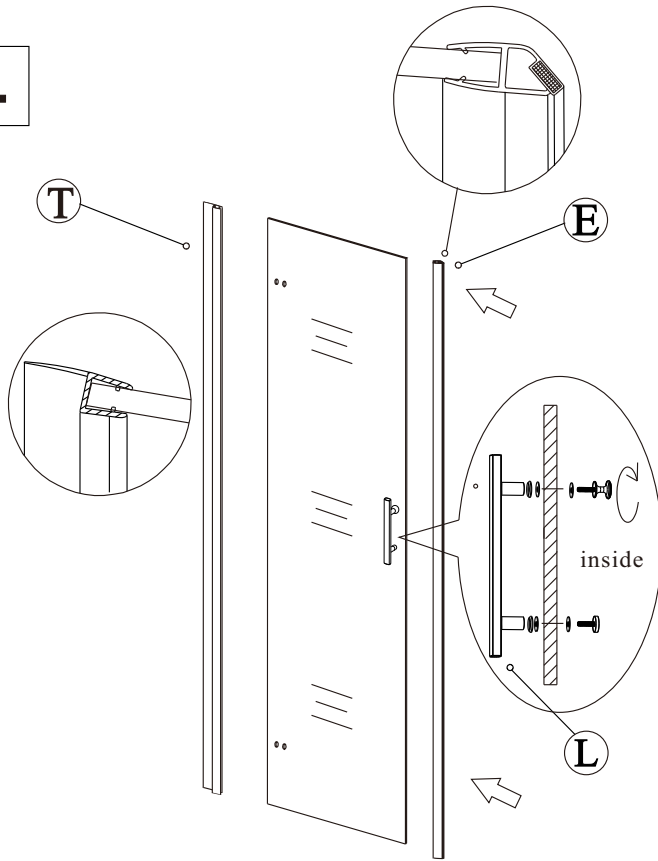


3



(3)

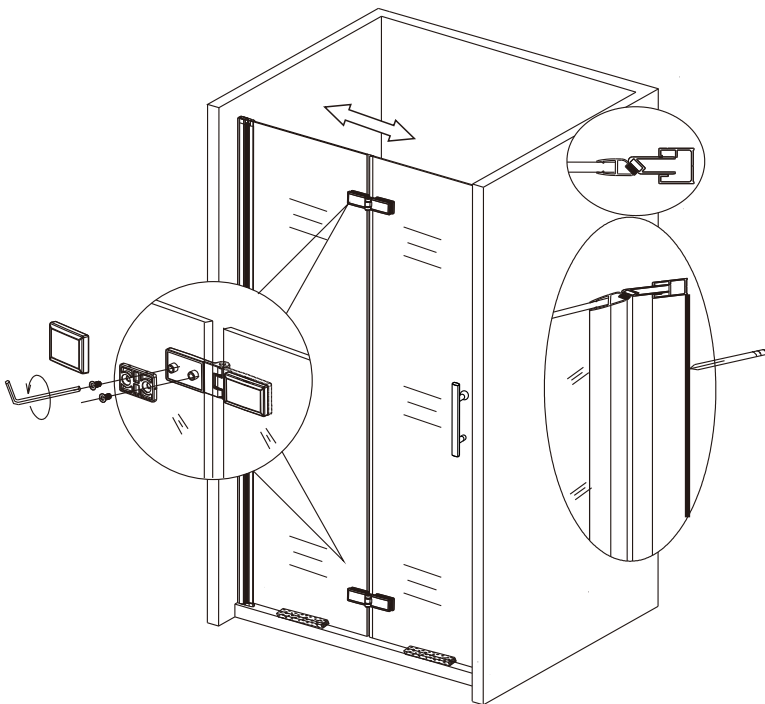
4



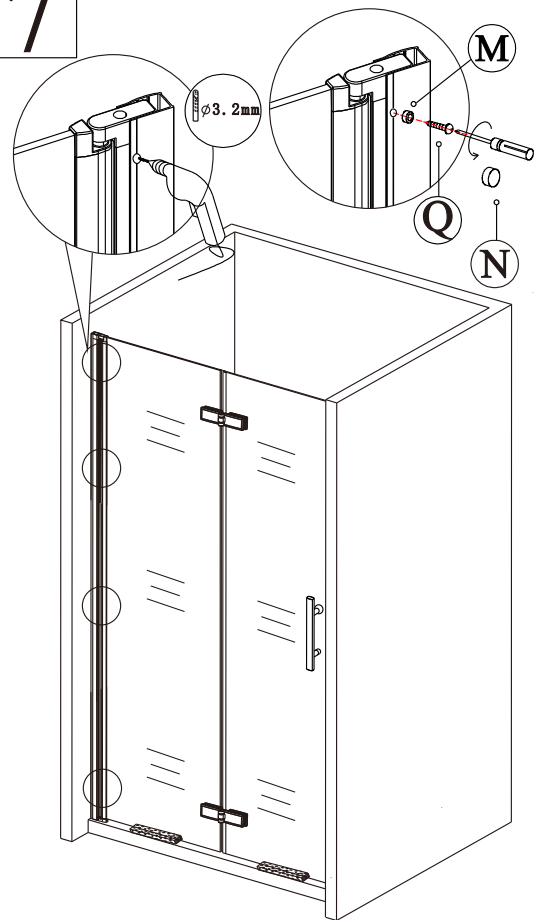
5



6

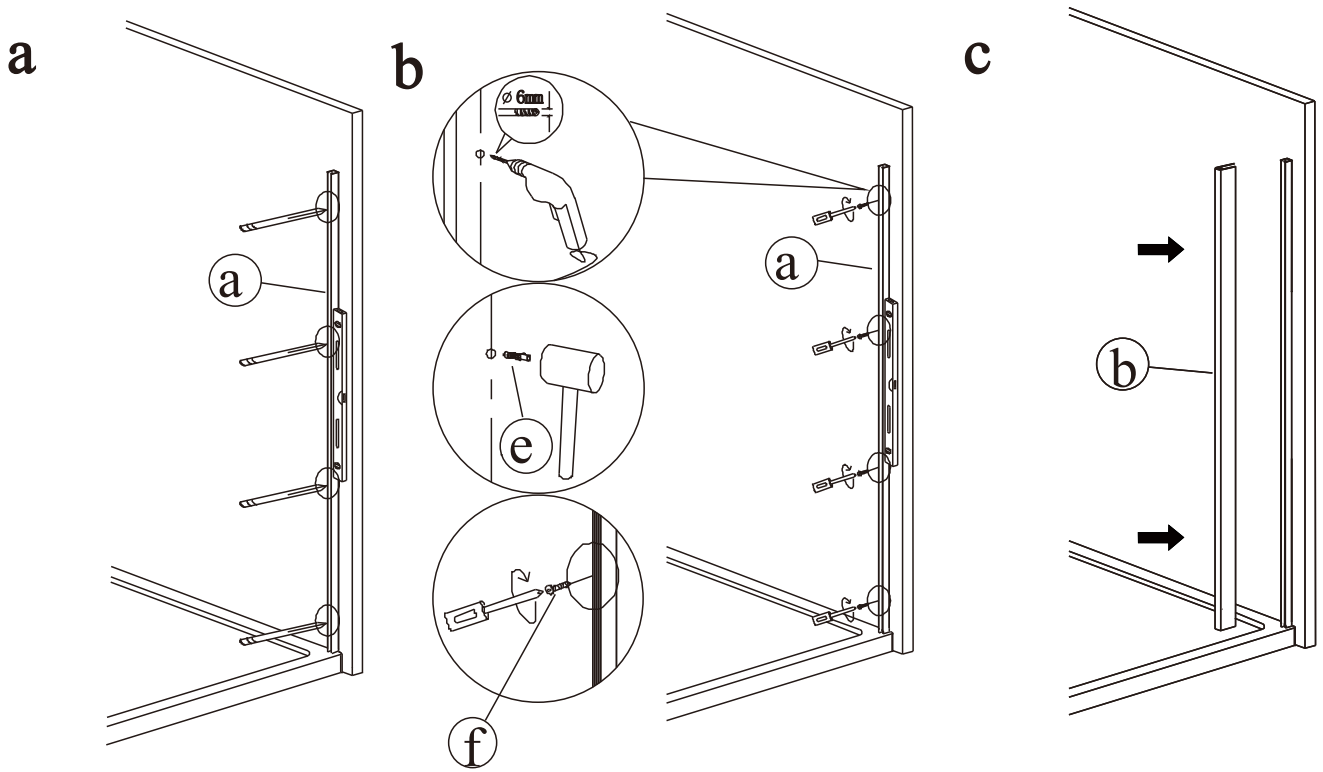


7

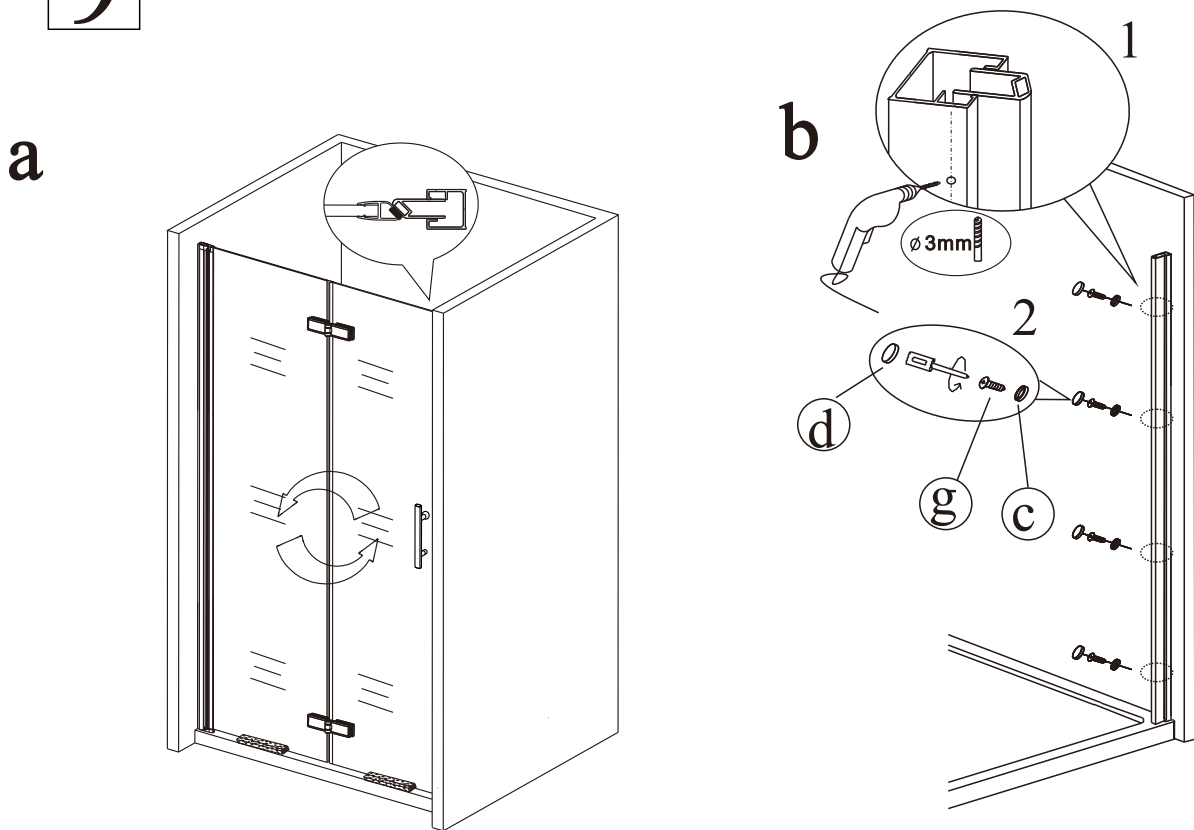


(4)

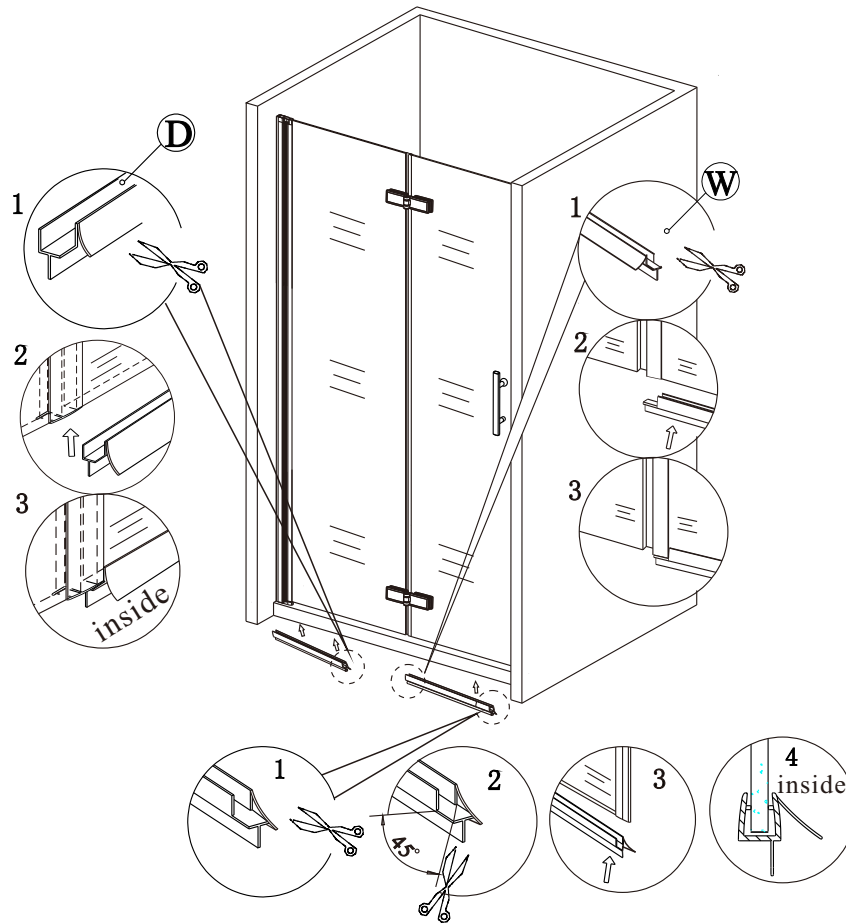
8



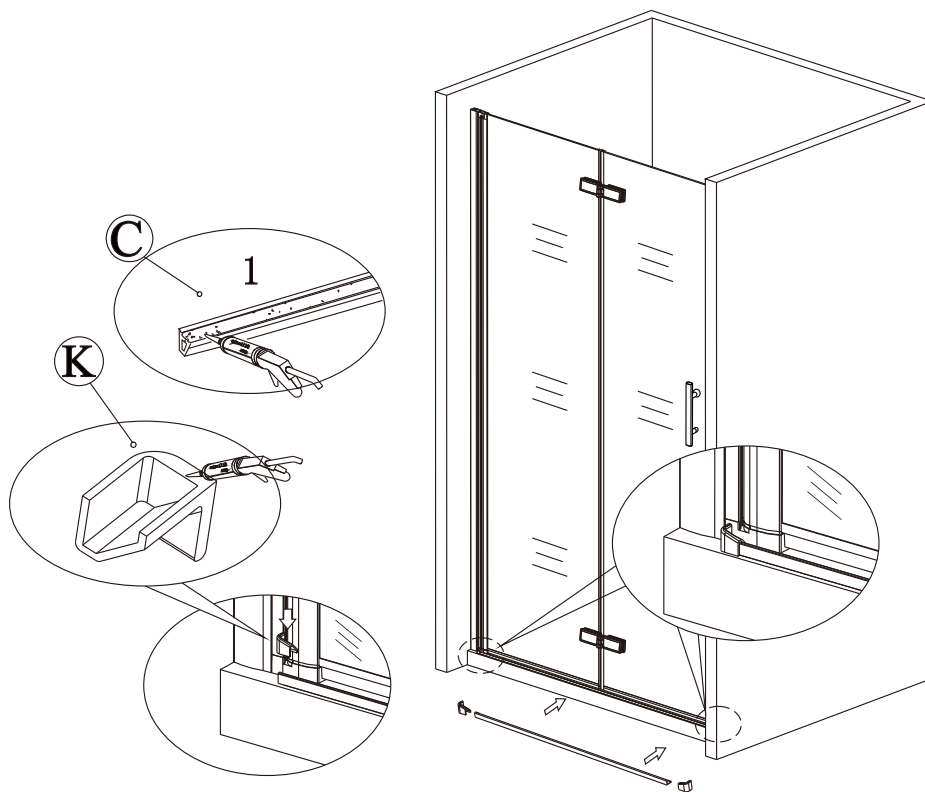
9



10

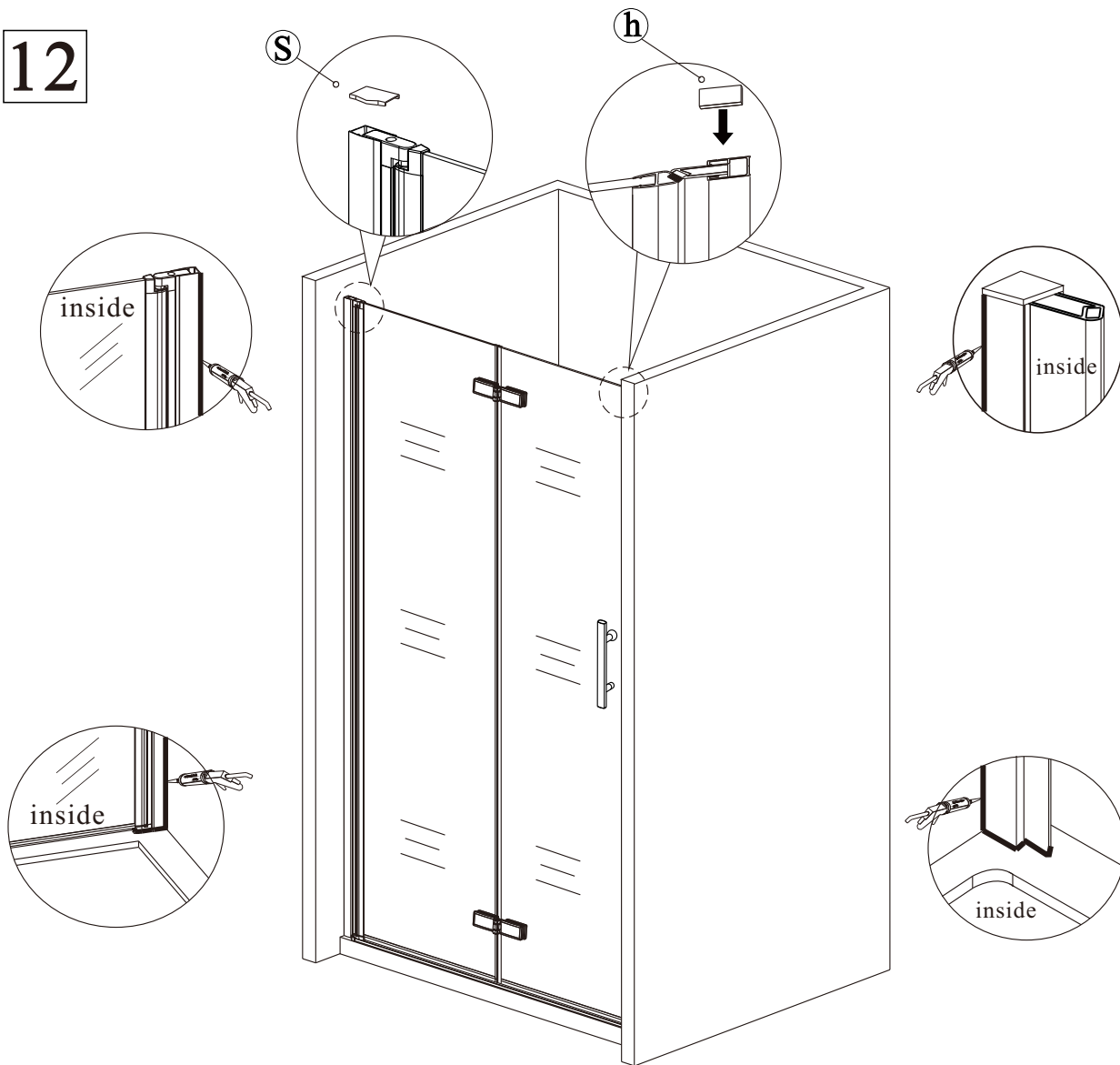


11



(6)

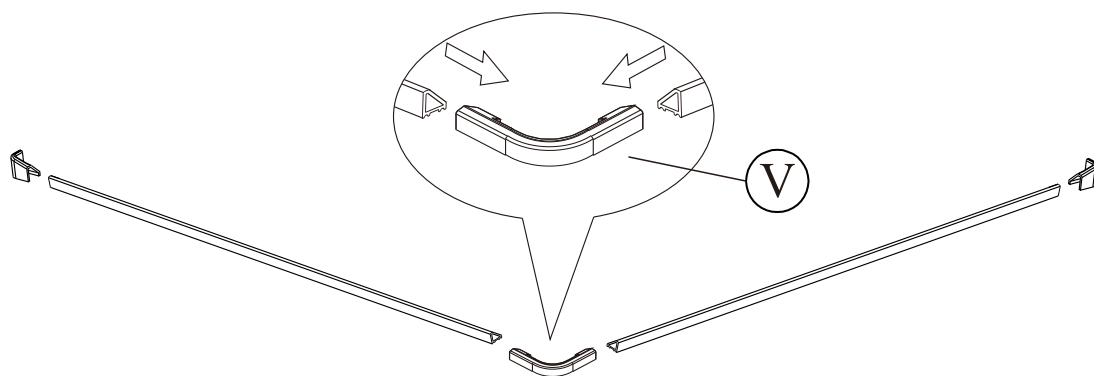
12



Once the wall profile is attached to the wall, run some silicone down the middle of the wall profile on the inside. Where the glass rests on the tray this also needs to be siliconed.

### A. DOUBLE OUTWARD DOORS

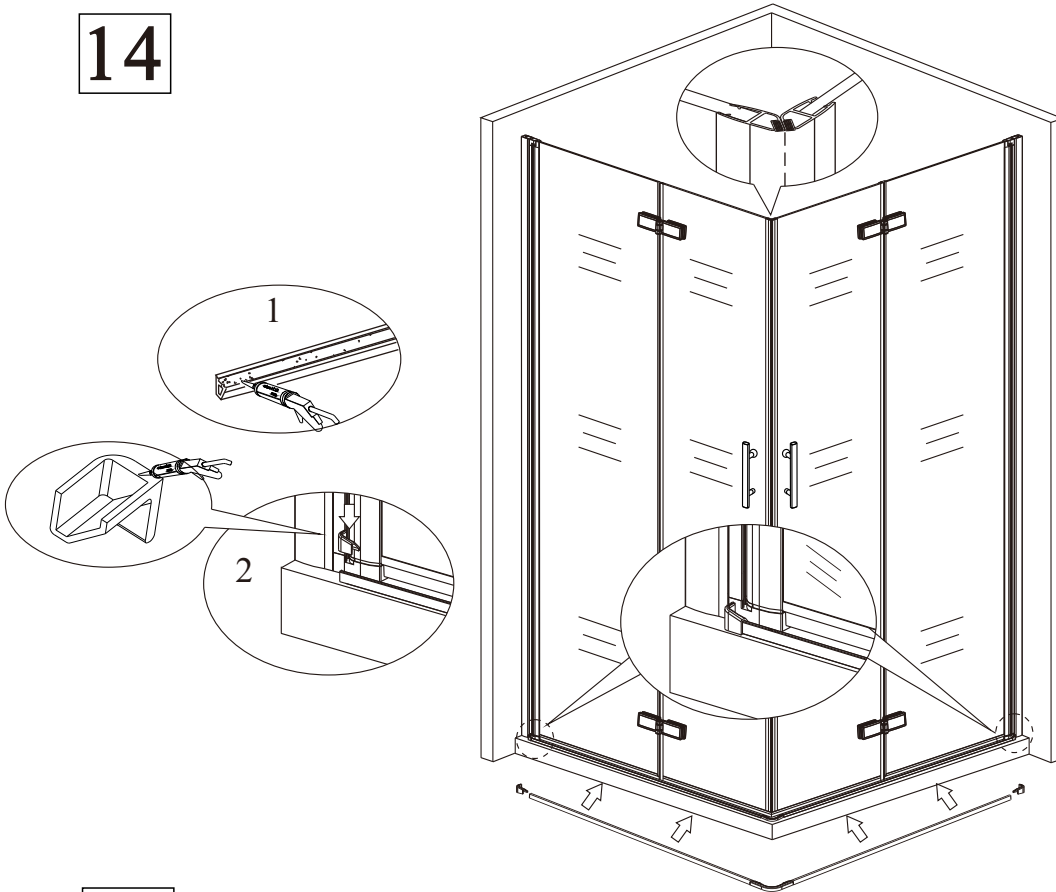
13



(7)

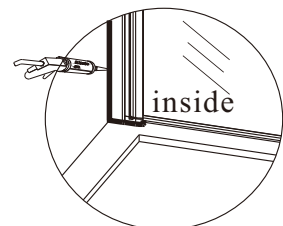
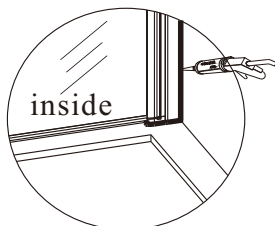
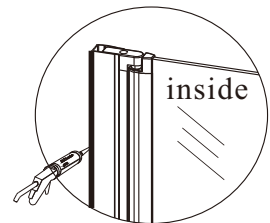
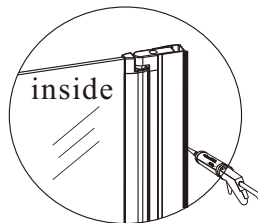


14



15

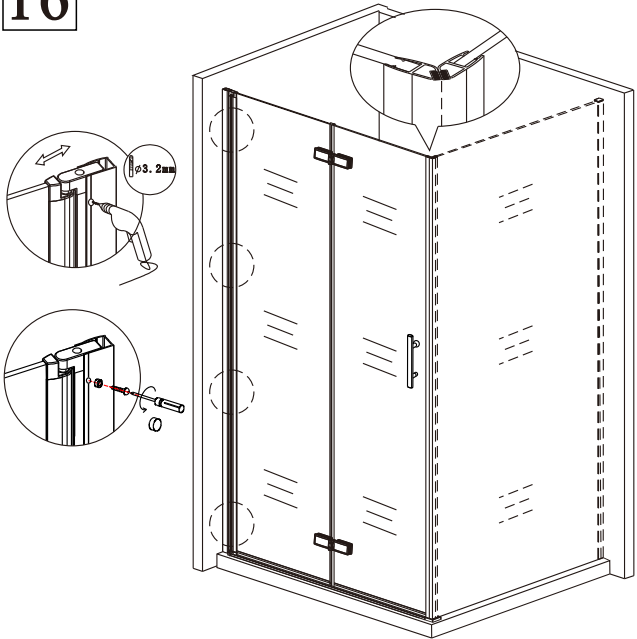
Once the wall profile is attached to the wall, run some silicone down the middle of the wall profile on the inside. Where the glass rests on the tray this also needs to be siliconed.



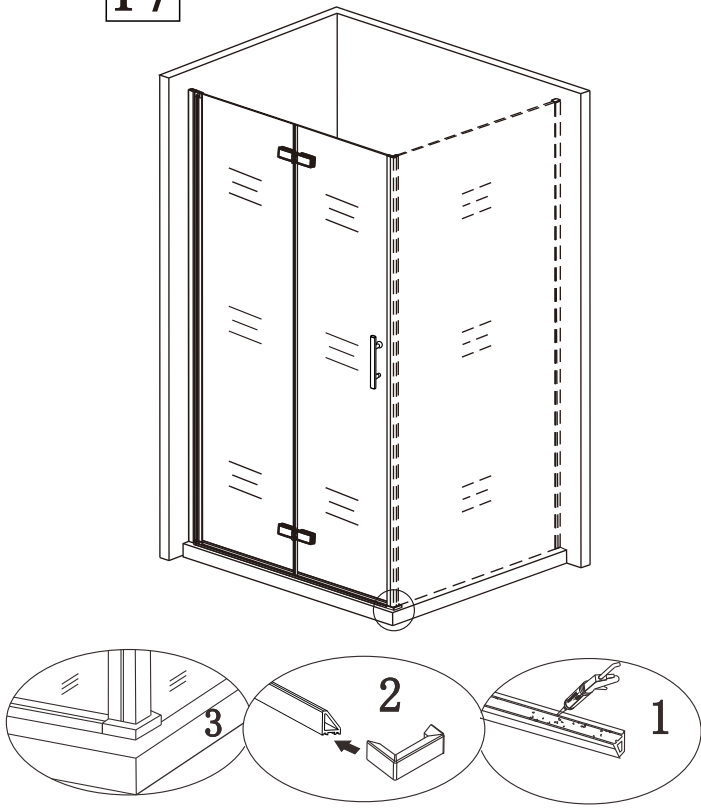
(8)

# B. MATCH WITH SIDE PANEL

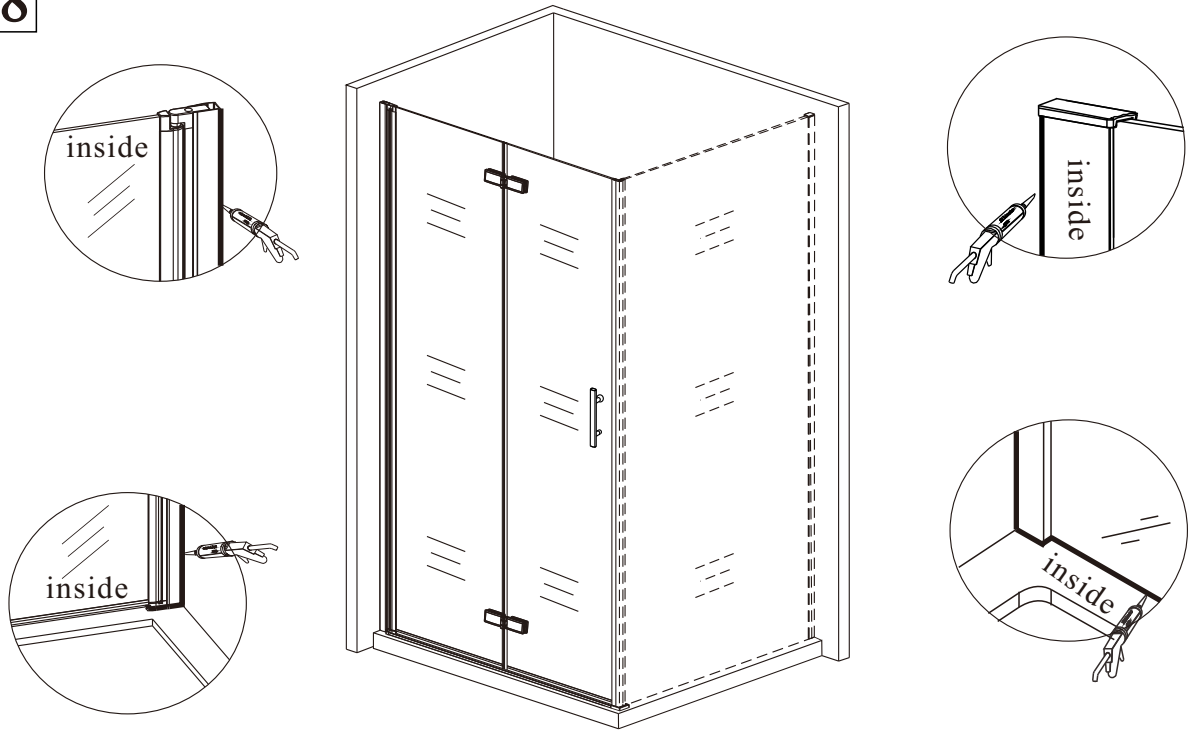
16



17



18



Once the wall profile is attached to the wall, run some silicone down the middle of the wall profile on the inside. Where the glass rests on the tray this also needs to be siliconed.

## **Cleaning & Maintenance**

Clean the sundries regularly to prevent the drain from being jammed. Usually, clean the shower enclosure by mop with mild detergent.

Don't clean the shower enclosure with irritant detergent, such as alcohol, gasoline or other chemical cleaner.

Should there be any dirty stains on the shower enclosure, you may clean it by calico with toothpaste, but you need to clean it with water afterwards.

After the installation is completed, if you find there is much noise when the glass door moves, you may add small quantity of lubricant onto the roller wheel, slipping hook and the track.