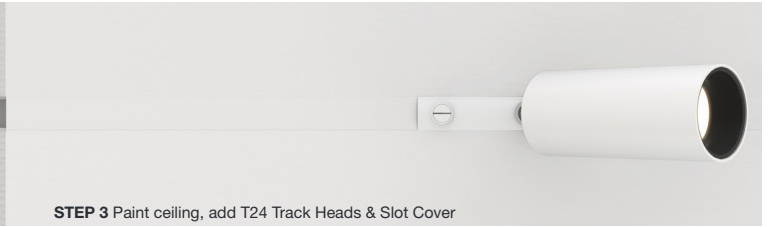


STEP 1 Cut into 5/8" drywall.

STEP 2 Plaster.



STEP 3 Paint ceiling, add T24 Track Heads & Slot Cover

DESCRIPTION

TruTrack® kit or BIY is a plaster-in recessed 24VDC single circuit track that is only as thick as the 5/8" drywall, which eliminates the concern of hitting studs, and allows more flexibility to make turns along the ceiling. For a complete and clean architectural look, a paintable slot cover is supplied with TruTrack®, only the Track Head will be visible once installed.

FEATURES

- Designed for use with a 24VDC Remote Power Supply up to 40' away
- Track Heads come in two options, Warm Dim - 3000K dims to 1900K, 95 CRI or 3000K Standard Dim
- Track Head Lumen Output up to 1256 Lumens with multiple fixed and adjustable beam spread options
- Soft Strip LED strip, in-line power feed, and transparent lens slot cover, create the opportunity to add a line of general lighting, anywhere along the line of the track. Track head and Strip are on the same circuit and will dim and switch as one.
- Track Power Feeds may be ordered in End, Center, L, T and X, up to 200 Watts before re-feeding, 100 watts max for soft strip
- Recessed TruTrack® Channel is available in 2', 4', 6' and 8' lengths, with the ability to be cut at the job site
- White Plastic Cover is included with TruTrack® Channel to hide Recessed Track Slot and may be painted to match the ceiling
- 10 Gauge Busbar to help eliminate voltage drop

FINISH & MATERIAL

- White Powder Coat Paint
- Extruded Aluminum Channel, conductors are a pair of #10 Gauge Copper Busbar

APPLICATIONS

Suitable for damp or dry location. Interior use only. 0-10V Dimming Only.

TRACK HEAD FIXTURES AND INTEGRAL LED STRIP

- Track Heads: Static White - 24K, 27K, 30K and 35K. Warm Dim - 30D
- Integral LED Strip: 7 Static White Colors - 22K-57K. Warm Dim - 27D and 30D
- 50,000 Hour Lamp Life

REMOTE POWER SUPPLIES, DIMMERS & CONTROLS (SOLD SEPARATELY)*

- 24VDC, Class 2 wiring
- [UNI Driver: Universal Dimming \(TRIAC, ELV, 0-10V\)](#)

*In-Wall Mounting Kits available for select power supplies

WARRANTY / LABELS

5 year pro-rated warranty. Assembled in America ETL (Conforms to UL 1598 and 2108 and CSA 22.2 #250.0), Class 2 Under 100 Watts, 200 Watts UL2108

1-hour fire rating uses Two pieces of Type X Gypsum board, for 2-Hour fire rating use Three pieces of Type X Gypsum board.

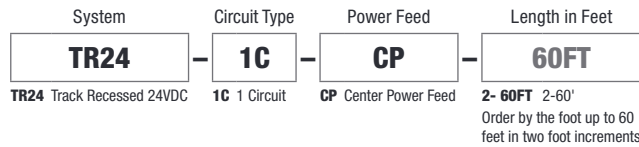
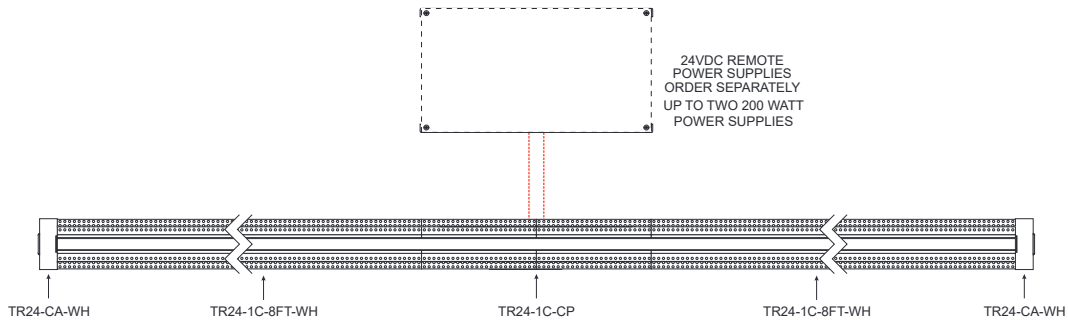
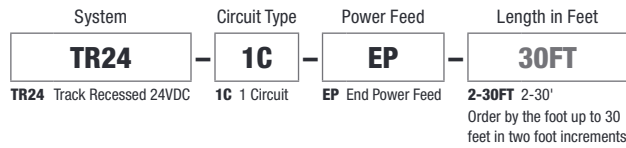
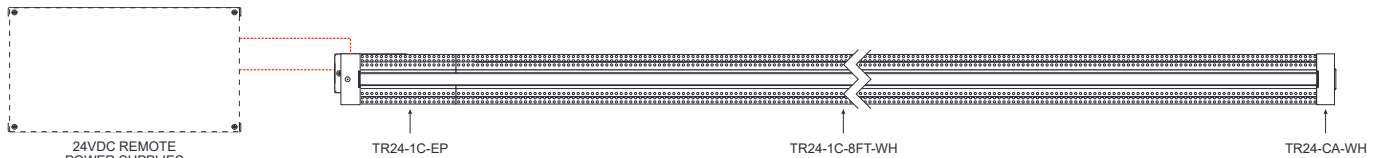
PureEdge is the Original Designer of 5/8" Drywall Products,
Backed by Over 30 Years of Precision Manufacturing and Design.

PROJECT	FIXTURE TYPE	DATE
---------	--------------	------



EASY KIT, Straight with power, Order fixture and power supply separately

Kit includes end feed, track, track cover and end cap.



PROJECT	FIXTURE TYPE	DATE
---------	--------------	------

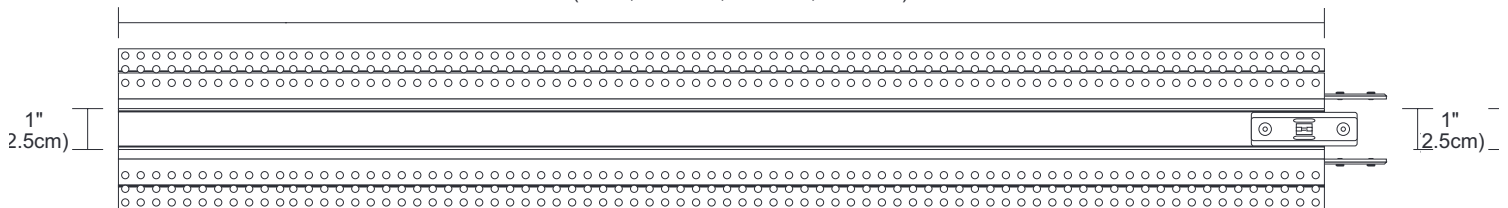


COMPONENTS Track Components



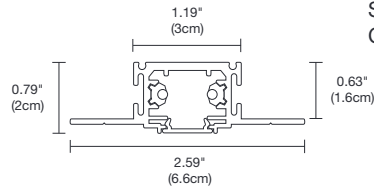
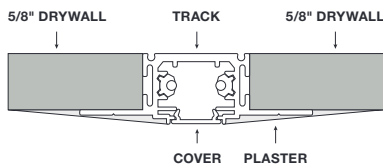
SINGLE CIRCUIT RECESSED 24VDC TRACK

2', 4', 6', 8'
(61cm, 121.9cm, 182.9cm, 243.8cm)



SINGLE CIRCUIT TRACK COMPONENTS

Made of extruded Aluminum Channel with 10 gauge bus bar to help eliminate voltage drop and is designed for use with 24VDC Remote Power Supply, sold separately. Includes two Opaque Covers for Track Slot and Conductive Connector.

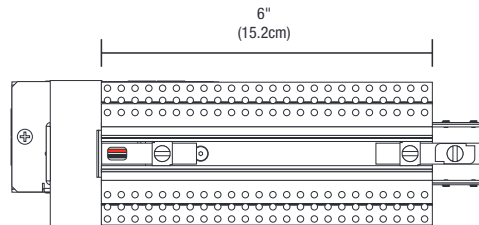
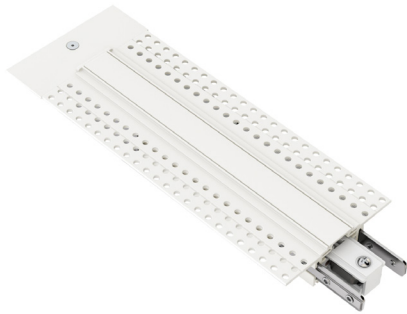


System	Circuit	Length in Feet	Color
TR24	1C	8FT	WH
TR24 TruTrack® Recessed	1C Single Circuit	2FT 4FT 6FT 8FT	WH White Powder Paint

PROJECT	FIXTURE TYPE	DATE
---------	--------------	------

COMPONENTS Power Feeds

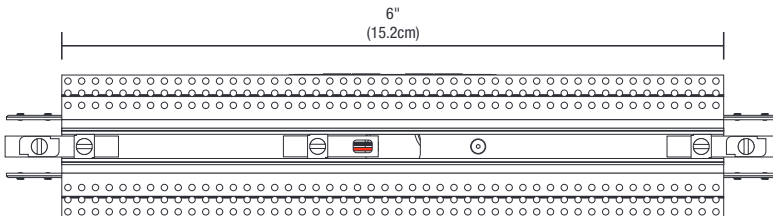
END POWER FEED WITH JUNCTION BOX FOR 5/8"-1.25" DRYWALL
6" starter section included. Feed 24VDC Track up to 200 watts. May be used on cement ceiling with only 5/8" dry wall (Jbox not used)



System	Circuit Type	Type
TR24	1C	EP
TR24 TruTrack® Recessed	1C Single Circuit	EP End Power Feed up to 200 Watts, 24VDC, 6" Long track

CENTER POWER FEED WITH JUNCTION BOX FOR 5/8"-1.25" DRYWALL

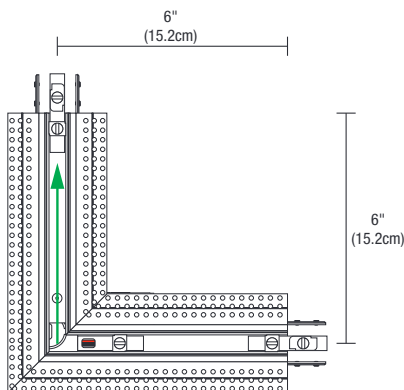
12" starter section included, feed track up to 2x 200 watts 24VDC



System	Circuit Type	Type
TR24	1C	CP
TR24 TruTrack® Recessed	1C Single Circuit	CP Center Power Feed 2x200 Watts with 12" Long track

L-SHAPED POWER CONNECTOR FOR 5/8" DRYWALL WITH JUNCTION BOX

12" track starter section included, feed track up to 2x 200 watts 24VDC.



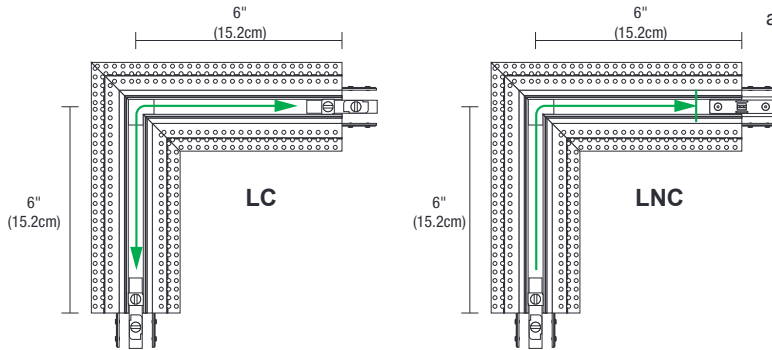
System	Circuit Type	Type
TR24	1C	LP
TR24 TruTrack® Recessed	1C Single Circuit	LP L-Shaped Power Connector 2x200 Watts, with 6" long track

PROJECT	FIXTURE TYPE	DATE
---------	--------------	------

COMPONENTS Power Feeds (continued)

L-CONNECTOR

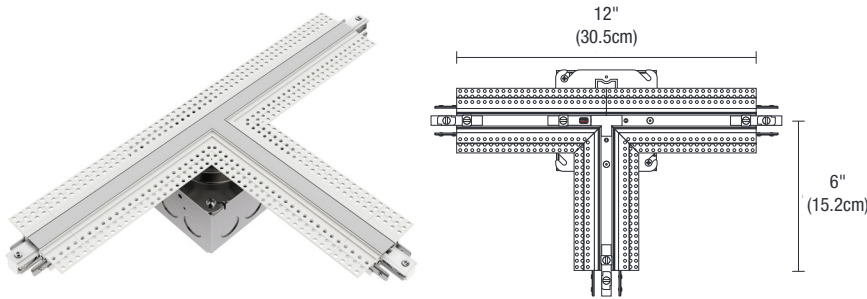
Conductive or Non-Conductive L-Connector joins two straight TruTrack® Channels together to make a 90° angle. Order Non-Conductive when adding two Power Supplies in a square configuration.



System	Type	Color
TR24	LC	WH
TR24 TruTrack® Recessed	LC L-Connector Conductive LNC L-Connector Non-Conductive	WH White Cover

T-SHAPED POWER FEED WITH JUNCTION BOX FOR 5/8"-1.25" DRYWALL

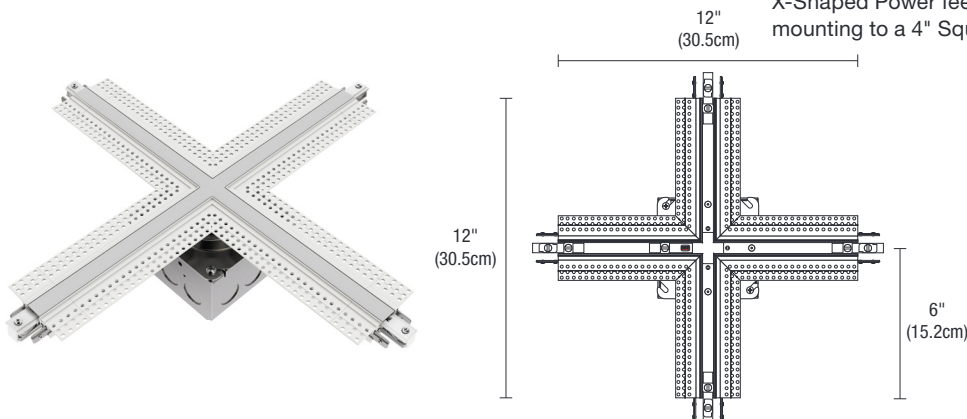
T-Shaped Power feed for TruTrack®, feeds 200 watts 24VDC, 3 directions, mounting to a 4" Square Junction Box.



System	Circuit Type	Type
TR24	1C	TP
TR24 TruTrack® Recessed	1C Single Circuit	TP T-Shaped Power Feed Triple Feed up to 3x200 Watts, 24VDC with 6" Long Track

X-SHAPED POWER FEED WITH JUNCTION BOX FOR 5/8"-1.25" DRYWALL

X-Shaped Power feed for TruTrack®, feeds 200 watts 24VDC, 4 directions, mounting to a 4" Square Junction Box.



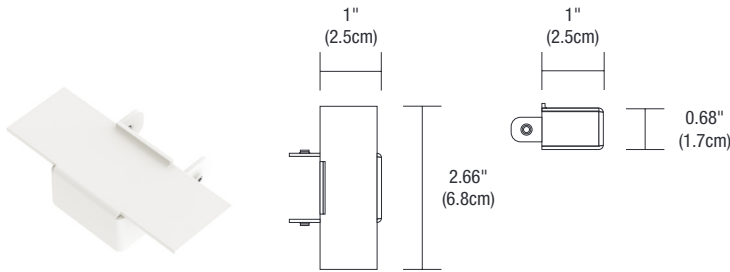
System	Circuit Type	Type
TR24	1C	XP
TR24 TruTrack® Recessed	1C Single Circuit	XP X-Shaped Power Feed Quad Feed up to 4x200 Watts, 24VDC, with 6" Long Track

PROJECT	FIXTURE TYPE	DATE
---------	--------------	------

COMPONENTS End Cap and Connectors

END CAP

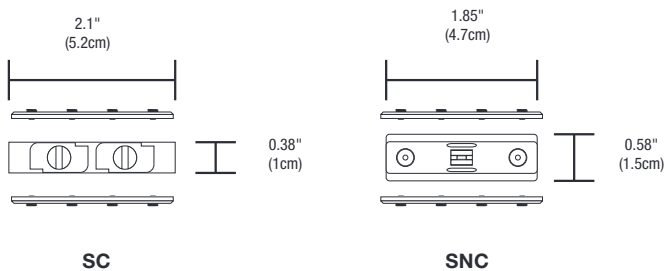
Need to be ordered with each dead end of TR24 Track System.



System	Type	Color
TR24	CA	WH
TR24 TruTrack® Recessed	CA End Cap	WH White Cover

STRAIGHT CONNECTOR

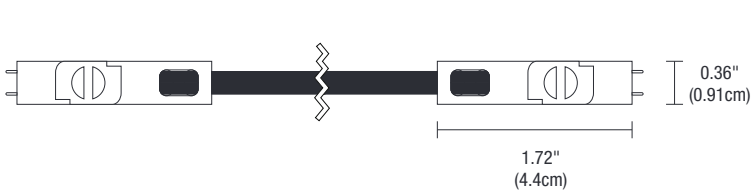
Miniature Straight Connector joins two Track sections end to end and is covered by the Plastic Insert. Included with Track Sections.



System	Type
T24	SC
T24 Track Recessed 24VDC	SC Straight Connector Conductive SNC Straight Connector Non-Conductive

POWER JUMPER

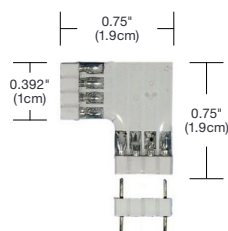
For connecting two sections of track.



System	Type	Wire Color
T24M	LLC	BB
T24M Track Recessed 24VDC Magnetic	LLC Jumper	BB Black Wires

L-CONNECTOR (ORDER SEPARATELY)

The Soft Strip L-Connector physically and electrically join two Soft Strip sections and 90° on a horizontal plane (includes one male joiner). Order Separately.



Product	Type
SS	CL10M
SS Soft Strip	CL10M L-Connector 10MM Soft Strip

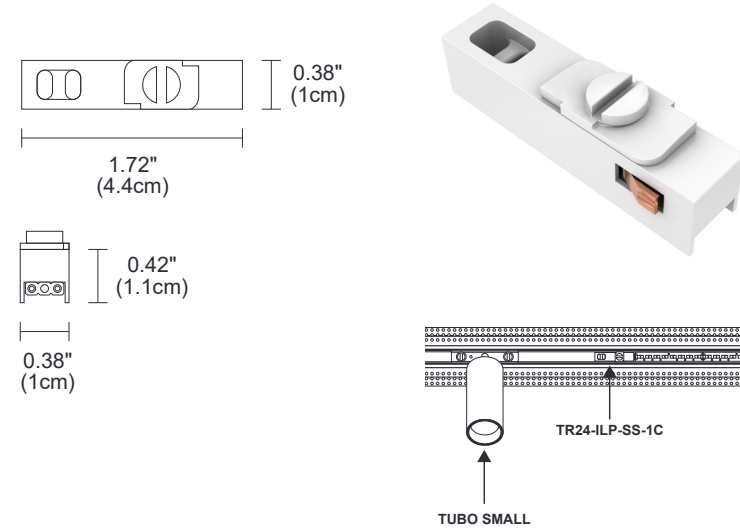
PROJECT	FIXTURE TYPE	DATE
---------	--------------	------

COMPONENTS Power Feeds (continued)



SINGLE CIRCUIT TRACK & SOFT STRIP END POWER FEED
(ORDER SEPARATELY)

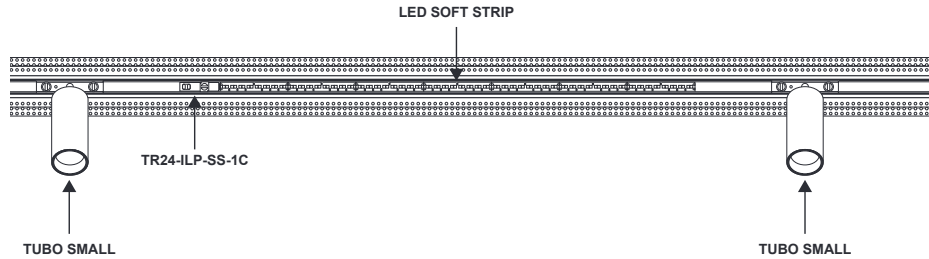
System	Power Feed	Connector Type	Circuit
T24	EP	TRSS	1C
T24 Track Recessed 24VDC	EP End Power Feed	TRSS Track Connector and Soft Strip	1C 1-Circuit



SINGLE CIRCUIT SOFT STRIP INLINE POWER FEED

Use Inline Power Feed to add Linear LED strip for general lighting anywhere along the single circuit track. Track head and Strip are on the same circuit and will dim and turn off with the same switch.

System	Power Feed	Connector Type	Circuit
TR24	ILP	SS	1C
TR24 TruTrack® Recessed	ILP Inline Power Feed	SS Soft Strip Connector	1C Single Circuit



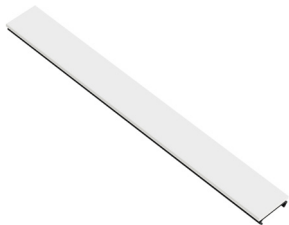
COMPONENTS



TRANSPARENT LENS SLOT COVER FOR LED SOFT STRIP

Use Slot Cover for LED Soft Strip to give you a Line of Light any where along the Track. No LED dots.

System	Type	Length in Feet	Color
T24	SCT	8FT	DW
T24 Track Recessed 24VDC	SCT Slot Cover, Transparent	8FT 8'	DW Diffused Translucent White



OPAQUE SLOT COVER (INCLUDED)

Two paintable Opaque Covers are included with each Recessed Track

System	Type	Length in Feet	Color
T24	SCO	8FT	WH
T24 Track Recessed 24VDC	SCO Opaque Cover for Track Slot	8FT 8'	WH White



MUDDING COVER, OPAQUE SLOT COVER (INCLUDED)

Mud cover used in installation to keep plaster out of track. Included with track.

System	Type	Length in Feet	Color
T24	COV	8FT	WH
T24 Track Recessed 24VDC	COV Mudding Slot Cover	8FT 8'	WH Opaque White

PROJECT	FIXTURE TYPE	DATE
---------	--------------	------