

Pentagon

An equilateral pentagonal pendant luminaire with an LED module integrated in each segment shielded by an opal diffuser. The luminaire housing is decoratively powder coated in matte white. The attachment to ceilings consists of two steel cables and a power supply cord, which can be shortened on site. The decorative pentagon-shape enables interesting configurations if multiple fixtures are combined in a space. Pentagon pendant is not only suitable for decorative applications, but also just as effective downlighting. The luminous flux of more than 5000lm makes the luminaire can be used in an atrium, high halls, lobbies, reception areas, etc. Dimming systems such as DALI and wireless control systems, are available on request.

Design: Philip Feenstra, 2015



Pentagon



General information

Luminaire type	LED Pendant
Color	Matt white textured (RAL9016)*
Diffuser	Opal
Reflector	N/A
Driver	Integrated
Dimmable	Optional DALI, 1-10V
Lighting control system	Upon request
Air extraction	N/A
Emergency lighting	N/A
Operating temperature	-20°C / +40°C

Initial lighting performance

Color temperature (K)	3000/4000*
Gross flux (lm)	2800-5000*
System power (W)	15/23/31*
Efficacy (lm/W)	152-185
Light output ratio (%)	0
Color rendering (CRI)	>80*
Glare (UGR)	<22
Color consistency (SDCM)	3
Expected lifetime	L80B10@50,000h

Mechanical properties

Housing material	Steel
Optic material	PC
IP class	IP20
IK class	N/A
Dimensions (mm)	560x531x50
Cutting dimensions (mm)	N/A
Packaging dimensions (mm)	575x550x80
Weight (kg)	3.8

Electrical characteristics

Voltage / Frequency	220-240V*, 50/60Hz
Connector	Terminal block, 3 meter cable*
Power factor	>0,9
Appliance class	Class II

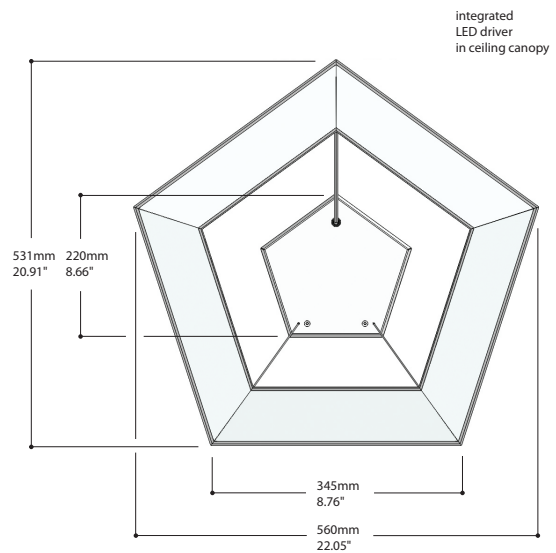
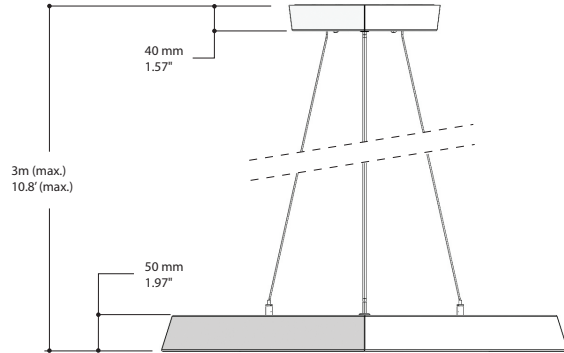
Warranty	5 years following Atomis warranty policy 2015
-----------------	---

* = other options upon request

10-08-2018

Pentagon

code	W	lm	K
28205.30-6	15	2800	3000
28205.40-6	15	2800	4000
28210.30-6	23	3800	3000
28210.40-6	23	3900	4000
28215.30-6	31	4700	3000
28215.40-6	31	5000	4000
44.802	Dimmable version DALI		



10-08-2018