



THE NEW
VOLVO XC40





INNOVATIVE. BY DESIGN
Introducing the Volvo XC40,
the compact SUV born from
Swedish innovation. Built for city
life and designed around you.





YOU'RE IN CONTROL

Experience the feeling of confidence and control on every journey in the XC40, with a high seating position and agile handling that puts you in command.

AN SUV.
WITH A TWIST



The XC40 is the authentic SUV for the city. High ground clearance, large wheels and true SUV proportions give it a powerful stance. And from the bold front grille to the beautifully detailed taillights it's every inch a Volvo. Uniquely Scandinavian and unmistakably urban, it's built for city life.



STAND TALL

High ground clearance gives the XC40 a powerful stance and excellent visibility. Large wheels and tyres cope effortlessly with any road. This is the SUV that allows you to rise above it all.



STRENGTH OF CHARACTER

The XC40 expresses toughness, and is unmistakably a Volvo, through features such as its proud grille, T-shaped light signatures, and sculpted front bumper with skid plate.

ALWAYS READY

Large alloy wheels and a wide body give the XC40 a strong presence. This is an SUV that's ready for anything.



MAKE A BOLD IMPRESSION

Make a statement with a choice of contemporary colours. And, depending on trim level, the roof and door mirror housings can be specified in a contrasting colour for an even bolder look.

LIGHTING WITH DISTINCTION

See and be seen, day or night, with LED headlights that feature Volvo's unique T-shaped light signature. They automatically adjust the beam height, and switch between dipped and full beam, to provide the best view and avoid dazzling other road users. The optional high-level LED headlights include active bending lights that turn with the steering (by up to 30°), to provide a better view through corners.



SPECIALLY DESIGNED ALLOY WHEELS

A selection of alloy wheels help you create your perfect XC40. Each one has a bold, dynamic design, as well as the attention to detail and high-quality finish you expect from a Volvo car.



AN INTERIOR TO INSPIRE

Bold, progressive design is the hallmark of the Volvo XC40, and the cabin embodies forward-thinking Scandinavian style. An uncluttered layout lets you focus on the beautiful details, while the high seating position means you always feel in control. Carefully crafted and selected materials indulge the senses, and intuitive technology puts you in command. The cabin of the XC40 is a place that will inspire you on every journey.

BEAUTY IN DETAIL

It's details that set Volvo Cars' interiors apart. The thought, effort and craftsmanship that go into the smallest elements in the cabin of the XC40 help to create a unique and special feeling each time you climb inside.

Natural light from the panoramic roof, our characteristic frameless rear-view mirror, and LED lighting on the distinctive concave decor panels on the dashboard are just a few of the visual highlights in a cabin designed to look great – and to make you feel good.

DOOR HANDLES

The bold, finely crafted door handles in the XC40 echo those in our larger SUVs, while their metallic finish feels great to the touch. The XC40 is a car that rewards all your senses.



PANORAMIC ROOF

The interior of the XC40 is shaped by a uniquely Swedish appreciation of light. A panoramic roof floods the interior with natural light by day.



LAVA CARPETING (OPTIONAL*)

One of the highlights of the R-Design variant is the availability of Lava carpeting and door inserts. It has a rich, bold colour that perfectly expresses the youthful character of the XC40.

LED LIGHTS

The XC40 is available with special LED interior lighting that highlights the beautifully sculpted dashboard and smart decor panels at night.

SUSTAINABLE BEAUTY

Made from 100% recycled material, the textile interior mats of the XC40 combine modern style with a sustainable, environmentally responsible approach.

AIR VENTS

The air vents in the XC40 are an example of our designers' ingenuity, with an innovative design that combines a beautiful minimalist appearance with effortless functionality.

*as per stock availability

REALLY CLEVER STORAGE

The **inventive storage** solutions in the XC40 are the result of us listening to our customers and understanding what they want from their cars. The front door pockets are large enough for a laptop, handbag or even three large drinks bottles. This feature is made possible by

Air Woofer Technology™, a Volvo Cars innovation that uses an audio speaker mounted behind the dashboard, rather than the doors, to free up space where you need it most. It's just one of the many ways that the XC40 helps to make every day easier.



WIRELESS PHONE CHARGING

There's a space beneath the centre touch screen where a mobile phone can be stored and wirelessly charged, helping to reduce clutter and make it easy to reach when you need it (only for phones with built-in wireless charging feature in it).

LARGE DOOR BINS

Doors free of speakers mean that there is space for front door pockets that are large enough to fit a laptop, or hold three one-litre drinks bottles.



CARD HOLDER

A card holder integrated neatly into the dashboard allows you to keep a credit or toll card. Easy to find and reach when you need it.



SMART STORAGE

The storage bin under the front centre armrest is large enough to hold a small handbag or even a full-size tissue box, and has a removable storage box ahead of it.



BAG HOOK

Keep a small bag or takeaway food secure with a hook that folds neatly out of the glove-box and prevents items moving around or spilling while you're driving.





A VERSATILE SPACE

Everything starts with people at Volvo Cars – it's why we look, listen, and design cars around their needs. And it's why the XC40 is full of practical, and versatile features that help you carry what you want as easily as possible. Load and unload your car with ease thanks to a large cargo area that can be accessed by a hands-free power-operated tailgate. If you need to carry bulky or unusually tall items then you can take advantage of the foldable, removable load floor. And if you need even more space, fold the rear seat backrests flat at the touch of a button.

Valuable items can be stored securely out of sight under the locking load floor. And, to make the load area as versatile as possible, the folding floor can be placed in multiple positions. There are also four load-securing eyelets to keep delicate items safe and to protect the car's occupants, plus two bag hooks that ensure your shopping doesn't move around or spill in transit. Whatever type of load you need to carry – large or small – your XC40 helps make it effortless.



Go hands-free

When your hands are full, the power-operated tailgate on the XC40 makes life easy. And when combined with the keyless entry option it means you only need to move your foot under the rear bumper to open or close it automatically.



The right fit

The XC40 helps you fit your life into your car. The load compartment is one of the largest in the class, with a regular shape that helps you make the most of the space. And the folding load floor helps you adapt it to whatever you're carrying.

IN SYNC WITH YOU



Your guide

Sensus Navigation is your guide, helping you to find our destination and keeping you informed. With clear mapping, you can find what you're looking for, share your location, and enjoy the journey ahead.

Every interaction in the XC40 feels natural and intuitive. From the easy-to-use centre touch screen to the high-resolution driver display and voice control that understands normal speech, technology is there to make things simple.

It's as familiar and intuitive as using your phone. You can control most functions via the centre display with touch screen – its portrait format and bold, clear graphics make it easy to read, and it's so responsive that you can use it wearing gloves.

The 31.24 cm (12.3 inch) digital driver display helps you keep focused on the road ahead by putting as much information as possible directly in front of you. And it automatically adapts to the surrounding light conditions, becoming brighter or dimmer depending on the light coming from outside the car.





DESIGNED FOR SOUND

We understand that music can make the difference, and the XC40 has been engineered to let you enjoy your favourite music to the full. Every XC40 features Air Woofer Technology™ that delivers precise, powerful bass.

For an even more immersive experience, choose the optional Harman Kardon® Premium Sound audio system. This top-of-the-range audio system – a collaboration with one of the world's leading audio brands – has 13 speakers for a beautifully balanced, powerful sound.



All about the bass
The XC40 features Air Woofer Technology™ – a new type of audio speaker that brings you precise sound and great bass reproduction. And because it's mounted behind the dashboard, rather than the doors, it frees up the cabin for valuable extra storage space.



Streaming. On demand
Access to streaming services is just the touch of a button or a voice command away in the XC40. And support for Apple CarPlay™ and Android Auto™ means that you can listen to music, news, and audiobooks easily via your favourite apps.



Harman Kardon® Premium Sound
Enjoy your favourite music to the full with the Harman Kardon® Premium Sound in the XC40. This top-of-the-range audio system draws on the expertise of one of the world's leading audio brands to provide powerful, detailed sound.

EXPERIENCE CONTROL

The XC40 has a high seating position that puts you in command and gives you a great view of the road ahead. It is a car that elevates you above the everyday, with thoughtful, uncluttered design that means you always feel in control behind the wheel. Intuitive technology is

there to make your life less complicated – the easy-to-use centre touch screen is so responsive that you can use it wearing gloves, while the high-resolution driver display looks great and is easy to use in any light.



The human touch

At the heart of the cabin is our centre display with touch screen – a feature familiar to the new generation of Volvo cars that blends beautiful design with ease of use. The portrait format makes reading information – and following sat-nav maps – especially easy.



TECH THAT HELPS

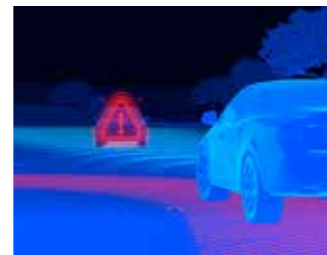
Every journey is easy in the XC40, thanks to a range of helpful Volvo Cars innovations. Pilot Assist technology makes driving in heavy traffic less tiring. It helps you keep a set distance to the vehicle in front and uses small steering inputs to help you keep the car in the centre of the lane, at speeds of up to 130 km/h. Adaptive Cruise Control lightens the load by keeping the XC40 at a set distance from the car in front; you set the gap and the XC40 will adapt its speed to maintain that distance.

CITY SAFETY: PROTECTING WHAT'S IMPORTANT

Volvo Cars is synonymous with safety, and the advanced features in the XC40 are the result of decades of experience and innovation – they are there to help you avoid a collision and protect you and your passengers if one should occur.

At the heart of everything is City Safety. This innovation identifies other vehicles, pedestrians, cyclists and large animals ahead, even at night, and warns you if a collision is imminent. If you don't react in time, it will apply the brakes automatically to help avoid or mitigate a collision.

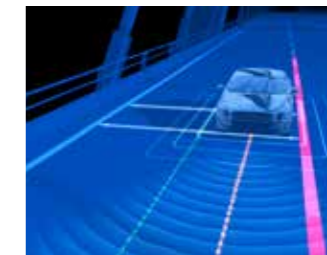
City Safety is standard for every XC40. It will play a key role in helping us to realise our vision that, by 2020, no one will be killed or seriously injured in a new Volvo car.



Intersection Braking
City Safety includes an intersection braking function that can help to make an accident at a road junction less likely or less harmful. This feature – a world-first when it was introduced in the Volvo XC90 – automatically brakes the car if the driver turns into the path of an oncoming vehicle.



Run-off road Mitigation
Our Run-off road Mitigation technology helps to keep you safe by keeping you on the road. If this innovation detects you are about to leave the road unintentionally at any speed between 65-140km/h, it uses steering input and, if necessary, brake support to guide you back on track.



Lane Keeping Aid
Fitted as standard, this feature monitors the road ahead and gently steers the car back into its lane if it detects that you're about to cross a lane marking unintentionally. If the car's steering adjustment isn't enough, or if you cross into the other lane, you'll be alerted by a warning sound, or gentle vibrations through the steering wheel.

PARKING. MADE EASIER

Parking is easy in the XC40 thanks to its compact dimensions, elevated seating position and responsive steering – and technology is there to help. Park Assist Pilot is a self-parking function that can steer the XC40 into a parallel space just 1.2 times the car's length, or into a standard parking bay. All you need to do is operate the accelerator and brakes (when the car advises you to).

Park Assist Pilot also helps you find a space, by alerting you if one is big enough as you drive by it.



SAFER THAN EVER

Protecting you and your passengers has always been at the heart of every Volvo car, and the advanced safety features in the XC40 are the result of our decades of innovation.

As with all of our cars, the XC40 surrounds you with strength. The passenger compartment uses a high percentage of ultra high-strength boron steel to create a protective cage around you and your passengers. Specially designed front seat structures minimise the risk of spinal injury on impact. The front seats incorporate our Whiplash Injury Protection System to minimise the risk of neck injuries if the car is hit from behind. If your XC40 leaves the road, Run-off road Protection reduces your chance of serious injury. And optional prepared front safety belts automatically tighten if the car senses that an impact is imminent, putting you in the safest possible position if a collision occurs. All this, and more, makes the XC40 a safe place to be.

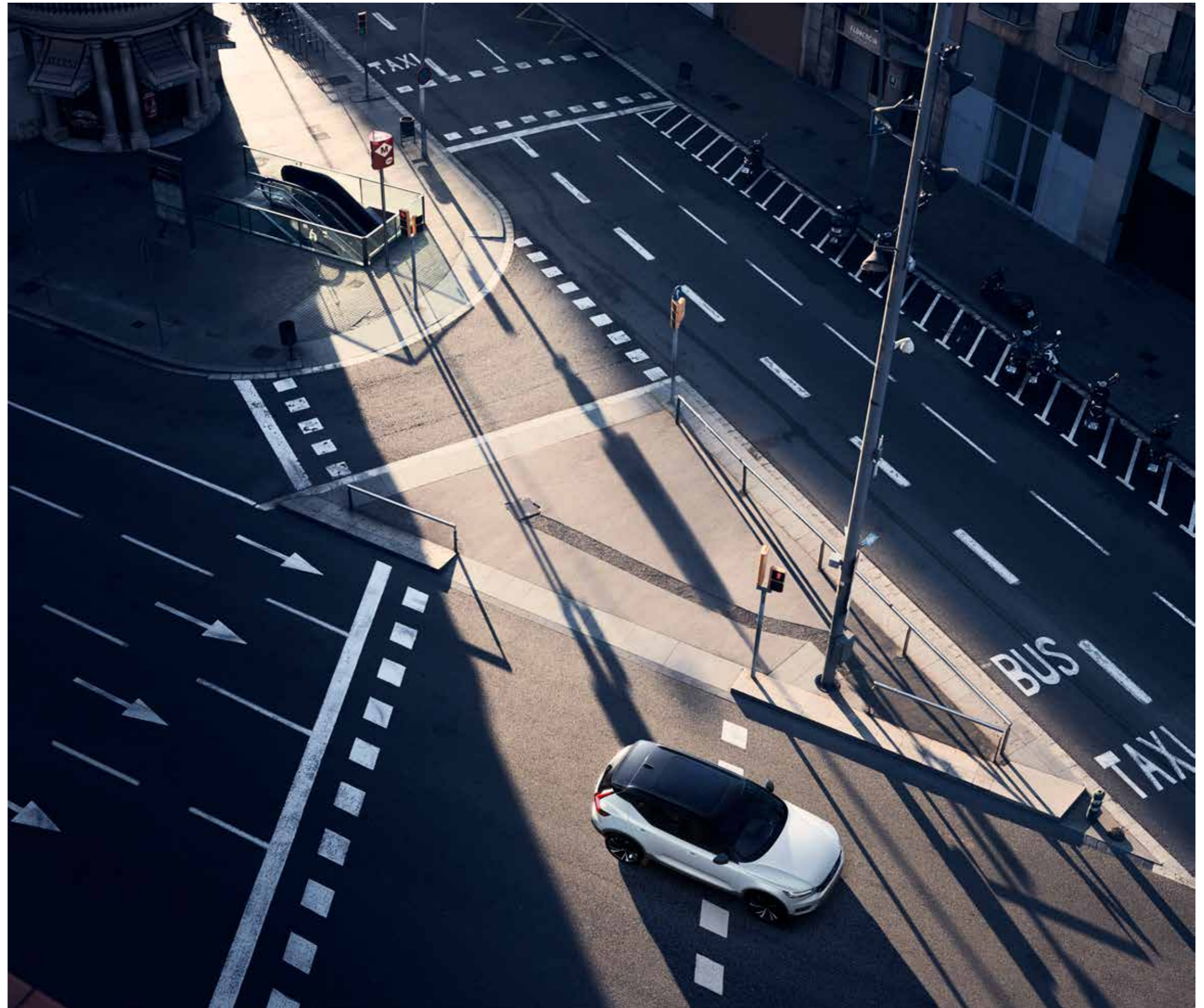


AGILE. RESPONSIVE. IN CONTROL

Wherever you take your XC40, you'll always feel in control. Enjoy agile, energetic responses from behind the wheel – whether you're in the city or out on the open road – thanks to sophisticated suspension that makes extensive use of lightweight aluminium. Selectable drive modes allow you to set your car's responses to suit your mood, adjusting settings for the engine, automatic gearbox, Electronic Stability Control, steering and Start/Stop function. Models equipped with all-wheel drive give improved traction, for the most efficient acceleration from a standstill and an even more secure feel in slippery conditions or when towing. And Hill Descent Control is available, to make descending steep or slippery slopes as safe as possible.

Smart powertrains give you the responsiveness you want and low emissions and fuel consumption. There's no need to compromise. It's all thanks to our new family of sophisticated turbocharged engines. These compact, lightweight powertrains balance smooth power with efficiency. And they keep weight at the front of the car to a minimum, which improves handling agility.

Power is transmitted to the road by highly efficient, smooth-shifting transmissions, including an eight-speed automatic transmission that allows you to shift using steering wheel-mounted paddles. The XC40 is a car that allows you to take control, and which inspires confidence, however long or short the journey





EASIER OWNERSHIP

Choosing a Volvo means you are also choosing the simplest way to own a car. Whatever your car needs, your authorised Volvo workshop will take care of it for you and make sure that your Volvo stays in shape.

Your Volvo Cars dealer offers a whole range of services, all designed around you to ensure a carefree ownership experience. It's because everything we do is about finding new ways to make ownership – and your life – simpler and to help you make better use of your time.

MAINTENANCE SERVICE

When you bring your Volvo in for maintenance service at the authorised Volvo Car workshop, a lot of extras are included to make your visit more convenient and rewarding. We update your car's software to the latest version, which means that your Volvo can become a little better at every service. We can also provide you with alternative transportation should you need it, and even wash your Volvo for you.



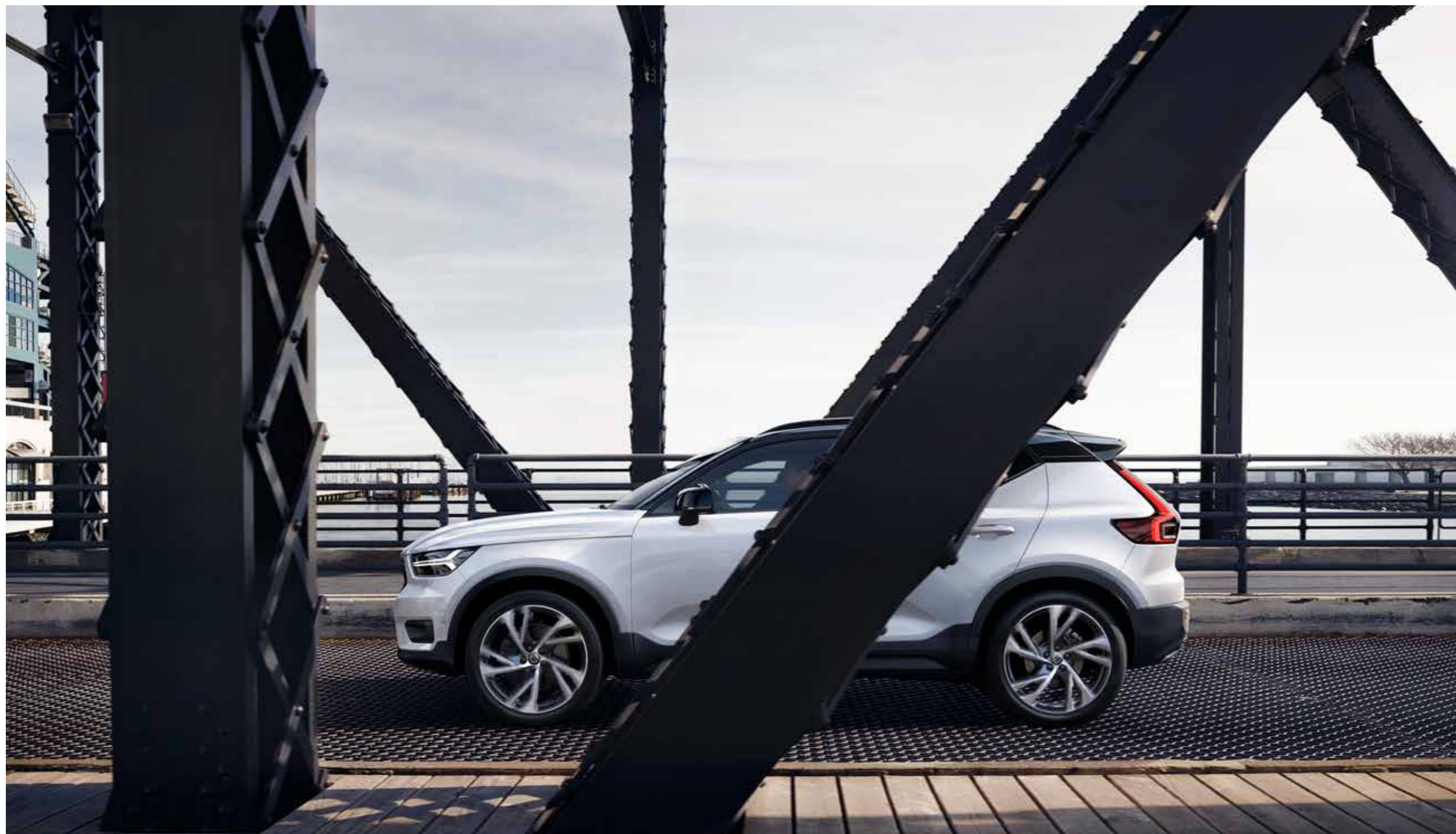
YOUR JOURNEY BEGINS HERE

We created the new **XC40** with one single purpose: to provide you with a city SUV that perfectly fits you and your lifestyle. It's a car that meets your expectations of a fun, agile drive with exceptional comfort and distinctive Scandinavian design – built with care for people and the world we share. And designed to be intuitive to use and to make life easier, the XC40 is a pleasure to live with every day.

At the heart of your XC40 is an efficient, responsive diesel powertrain. You will enjoy our latest Drive-E technology that gives you responsive power. Fuel consumption and CO₂ emissions are kept

low, and our powertrain already comply with future exhaust emission legislation.

The engine is mated to our eight-speed Geartronic™ automatic gearbox for a smooth and intuitive drive. Our responsive AWD all-wheel drive technology gives you an edge by increasing driving stability and traction – on all road surfaces and in all weathers.



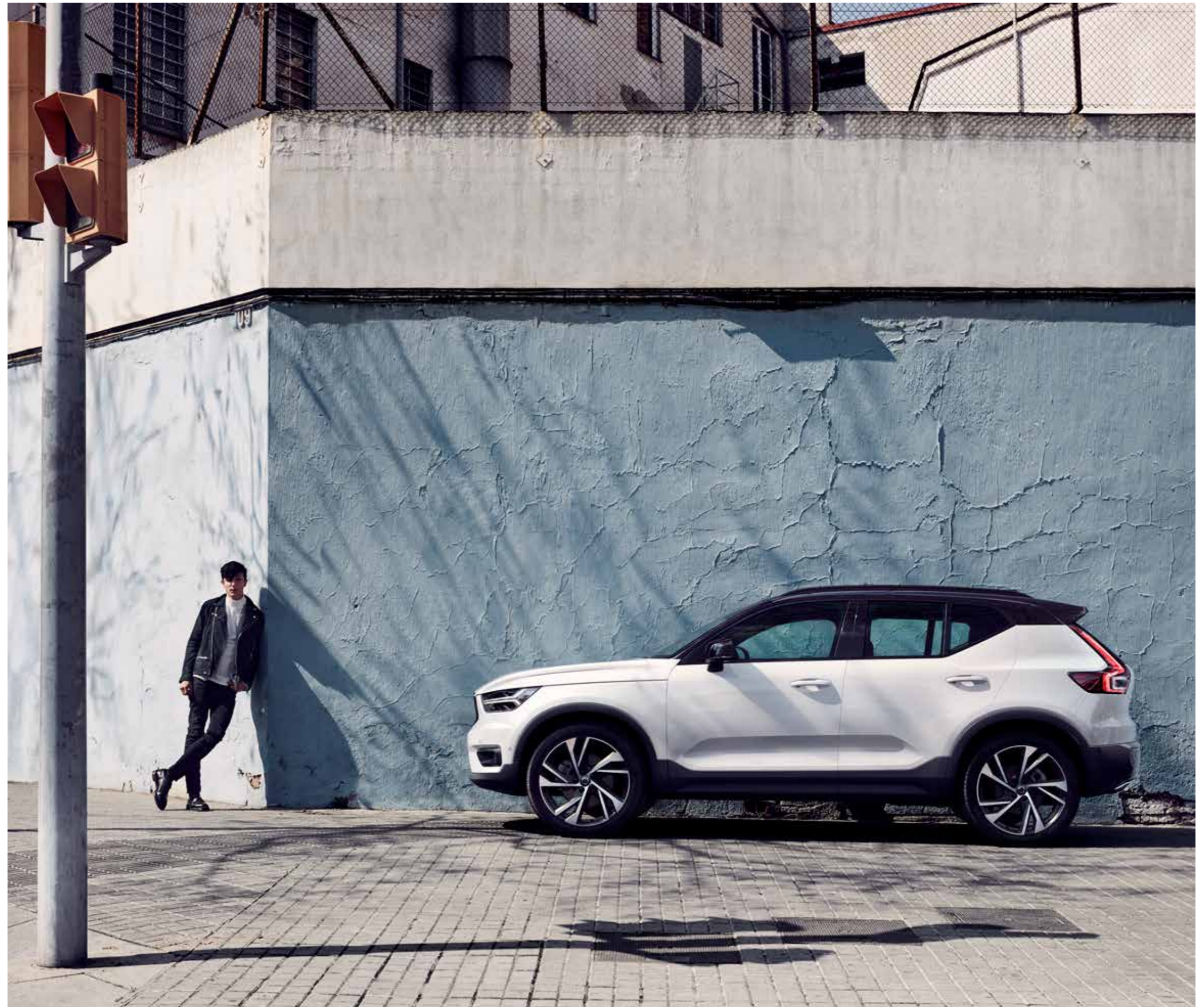
D4 AWD

Our powerful 190hp/400Nm D4 AWD diesel powertrain allows you to enjoy more while using less. Twin-turbo engine technology, our 8-speed Geartronic™ automatic gearbox and all-wheel drive add to instant control and an efficient driving experience.

R-DESIGN. THE SPORTY LOOK

The R-Design expression catches the sporty soul of your XC40, with a glossy black colour theme including the roof and other distinctive exterior design details. The stylish alloy wheels enhance the car's road presence and add to the powerful look. It's an expression that catches the eye from every angle and hints at the promise of an amazing drive.

Inside the driver-focused Charcoal interior, you're surrounded by bespoke materials and trim. Your body is comfortably supported by the R-Design seats in Perforated Fine Nappa Leather/Nubuck Textile upholstery. Everything – from the R-Design sport steering wheel with optional gearshift paddles to the Charcoal headliner – is there to inspire and put you in control. And unique for R-Design, the optional Lava interior carpeting creates a youthful, stylish ambience that will energize your every drive.



INSPIRED BY THE ART OF DRIVING

R-Design is our most powerful expression, characterised by dynamic contrasts and a confident presence. Unique exterior design details in glossy black, such as the front grille, the roof and the door mirror caps, together with large alloy wheels make it possible to create a truly distinctive look. The sporty theme continues on the inside, with R-Design Perforated Fine Nappa Leather/Nubuck Textile seats, optional Lava carpeting, and concave Cutting Edge aluminium decor. A sport chassis ensures you're in control with maintained ride comfort.



The glossy black roof creates a strong character – depending on your choice of exterior colour, it can make a dramatic impact on the look of your XC40. The embossed R-Design logo in the rearmost door pillar makes a subtle yet distinct statement about the car you drive.

The optional large 50.8cms (20-inch) 5-double spoke alloy wheels in distinctive Matt Black Diamond Cut design add to a powerful stance in perfect harmony with the signature design T-shaped LED headlights and glossy black design elements such as the front grille, the door mirror covers, the roof and the integrated roof rails.



Enjoy the dynamic feeling inside your XC40 R-Design. The Charcoal interior with optional Lava carpeting and door inserts create energizing contrasts, while the exclusive R-Design seats, the Cutting Edge aluminium decor and the R-Design Leather gear knob and gaiter with white stitching enhance the car's sporty soul.



The R-Design grille features a glossy black frame and a high-gloss black insert with a horizontal mesh for a unique look.



From the rear, the integrated dual tail pipes and glossy black rear skid plate add to the impression of sporty elegance.

The concave Cutting Edge aluminium decor with integrated LED light guides creates a sporty, exclusive ambience inside your XC40 – day and night.

Upholstered in exclusive Perforated Fine Nappa Leather/Nubuck Textile, the multi-adjustable R-Design seats provide generous body support wherever you go. Contrasting white stitching and piping adds to the sporty ambience, while the manual seat cushion extensions provide extra thigh support.



The driver-focused R-Design interior with R-Design steering wheel partly clad in Perforated Leather, a Leather gear knob, Aluminium sport pedals, and optional Gear shift paddles puts you in the centre of action.



YOUR XC40 – THE WAY YOU WANT IT

Create an XC40 that's perfect for the way you live, with Volvo accessories designed around you and your car.

Our range of exterior accessories is carefully crafted to boost the inherent versatility and ruggedness of the XC40. Designed to look good

and work flawlessly, they are made from tough, high-quality materials and built to withstand everything that life – and the elements – throw at them.



LOAD CARRIER

Your XC40 is there to help you pursue your passions, and our stylish low-profile load carriers allow you to take what you love with you. Easy to fit, they instantly allow you to fit our load carrier accessories, from bike rack to the canoe holder.

FOLDABLE TOWBAR

Our folding towbar is there when you need it – and out of the way when you don't. Press a button in the load compartment and it slides out electrically. All you have to do is lock it into position with one click. A range of bike racks designed especially to fit the towbar are also available.



MUD FLAPS

Keep your car looking good with specially designed mudflaps that fit the body of the XC40 perfectly, deflecting grime and dirt from the car's bodywork.



53.34 CM (21-INCH) ACCESSORY WHEEL

For the strongest expression of the tough, sporty character of the XC40, choose our 53.34 cm (21-inch) accessory wheel. These beautifully crafted wheels perfectly complement the car's uncluttered lines.

BUILT TO BE USEFUL

The interior accessories available for the XC40 are designed to make it even more practical and durable, so that it's an even more useful part of your life. Whether it's helping you to carry your things as securely and easily as possible or protecting the interior of your car, our range

of accessories make life less complicated and allow you to use your car's abilities to the full. And because these are Volvo-designed accessories, you can be sure that they are built to last, effortless to use and fit your XC40 perfectly.

LOAD COMPARTMENT MATS

Accessory load compartment mats help you keep the interior of your XC40 as good as new, whatever you're doing. There's a tough plastic mat with raised edges that's rugged and easy to clean, and a reversible mat that has high-quality textile on one side and durable plastic on the other, to suit differing needs.



ALL-WEATHER MATS

These durable mats protect the interior of your XC40 from muddy boots and shoes. Shaped to fit the footwells perfectly, they won't slip or shift on the move. Raised edges stop wet and dirt leaking into the car's carpet.



STEEL GRILLE*

Our strong steel grille provides a sturdy barrier between the passenger and load compartments, preventing unsecured loads from causing harm in the cabin. Fitted using simple attachment points, it helps you transport large or bulky items as safely and securely as possible.

*Available later in 2018.

WELCOME TO VOLVO CAR LIFESTYLE COLLECTION

Our Lifestyle Collection includes a wide range of lifestyle accessories – from Swedish crystal and crafted leather bags to clothing, watches and more selected items. To view the complete collection, please visit collection.volvocars.com



ON SWEDISH TIME
Distinctive yet subtle, the first watch from Volvo Cars' design department – now available as part of the Volvo Lifestyle Collection – is an example of refined Scandinavian design.



TAKE YOUR MUSIC WITH YOU
These Harman Kardon® Soho Wireless headphones combine sleek styling with exceptional sound quality. With Bluetooth® connectivity and a clever fold-flat design, they're perfect for enjoying your favourite music on the go.



INNOVATION FOR PEOPLE, MADE BY SWEDEN

At Volvo Cars, everything we do starts with people. We understand people, we protect what's important to them and we want to make them feel special. This human-centric vision is what makes us different from other car companies, and it is at the heart of everything we create. Every car, every technology and every design is the result of our passion to make life better for people.

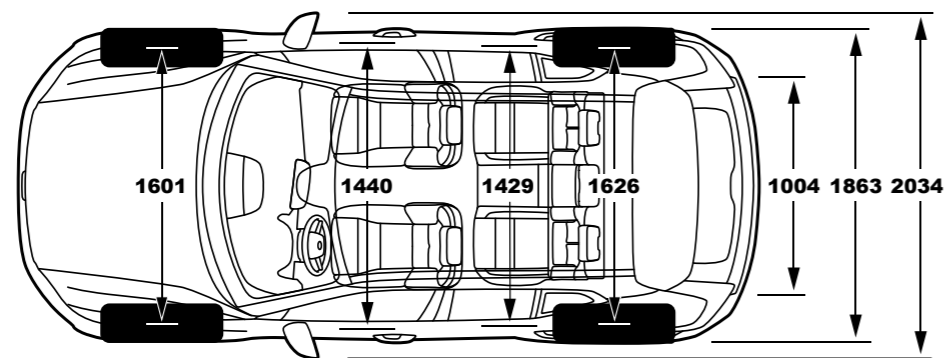
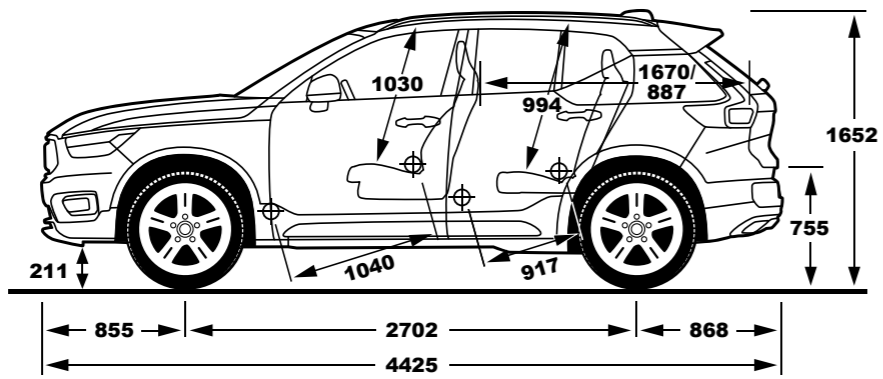
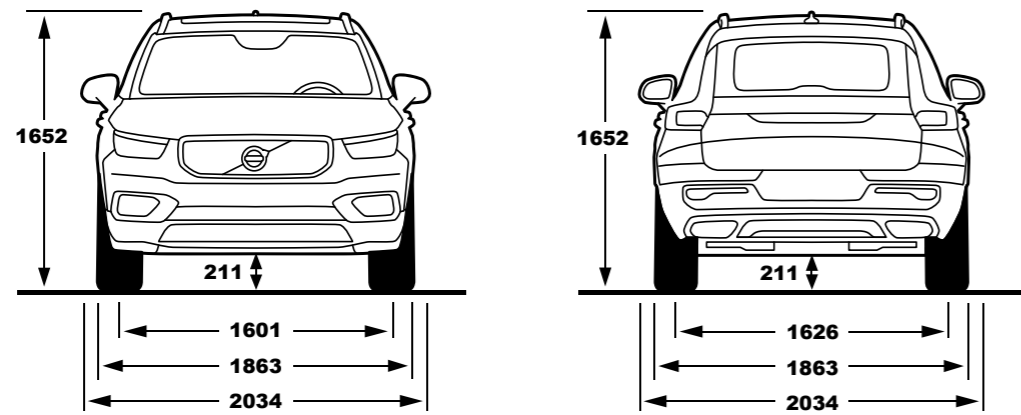
Inspiration is all around us because we come from Sweden, a place where people are valued as individuals and where conventions are challenged. And we continually strive to achieve more.

Our vision is that, by 2020 no one should be seriously injured or killed in a new Volvo car. And that, by 2025, every new Volvo car sold

will help its owner reclaim one week of quality time per year, and that there will be one million electrified Volvo cars on the roads.

This is human-centric innovation, made by Sweden.





Please note: Some of the information in this brochure may be incorrect due to changes in product specifications that may have occurred since printing. Some of the equipment described or shown may now only be available at extra cost. Before ordering, please ask your Volvo Cars dealer for the latest information. The manufacturer reserves the right to make changes at any time and without notice to prices, colours, materials, specifications and models.

*Dimensions are in mm.

Volvo Auto India

New XC40 Specification Sheet



Engine Variant	D4 Momentum	D4 R-Design	D4 Inscription	Model Variant	D4 Momentum	D4 R-Design	D4 Inscription
Technical Data				Exterior			
Capacity (ccm)	1969	1969	1969	Glossy black integrated roof rails		S	S
Max output in hp	190	190	190	Bright integrated roof rails	S		S
Max torque in Nm	400	400	400	R-design grille		S	
Transmission				Inscription grille			S
Automatic 8-speed AWD	S	S	S	Standard decor side windows	S		
Speed limit (km/h)	210	210	210	Glossy black decor side windows		S	
Climate				Bright decor side windows			S
2-zone Electronic Climate Control	S	S	S	Glossy black rear view mirror covers		S	
Clean Zone (Air Quality System)	S	S	S	Color coordinated rear view mirror covers	S		S
Power panoramic sun roof	S	S	S	Retractable rear view mirrors	S	S	S
Locking and security systems				LED Headlights Bending	S	S	S
Alarm with interior movement sensor	S	S	S	Foglights in front		S	S
Inclination sensor for alarm	S	S	S	EBL, Flashing Brake Light and Hazard Warning	S	S	S
Key remote control Inscription, leather clad			S	C-Pillar R-design Moulding		S	
Key remote control R-design, leather clad		S		C-Pillar Inscription Moulding			S
Key remote control, standard	S			Glossy black Skid Plates, Front & Rear		S	
Keyless Entry with remote tag		S	S	Silver Skid Plates, Front & Rear	S		S
Electrical child lock, rear side doors	S	S	S	Support systems			
Central lock switch with diode in front doors	S	S	S	Adaptive Cruise Control		S	S
Tempered glass, side & rear windows	S	S	S	Cruise Control	S		
Electric fuel lid opening	S	S	S	Collision mitigation support, front	S	S	S
Instrumentation				Lane Keeping Aid	S	S	S
Instrument cluster with 31.24 cm (12.3 inch) display	S	S	S	Rear Parking Camera	S	S	S
Seats				Park Assist Pilot + Park Assist, front and rear		S	S
R-Design Leather/Nubuck seats		S		Park Assist, front and rear	S		
Leather seats	S		S	Drive mode settings	S	S	S
Power driver seat with memory function	S	S	S	Hill Start Assist	S	S	S
Power passenger seat without memory function	S	S	S	Rain sensor	S	S	S
4-way power lumbar support	S	S	S	Hill Descent Control	S	S	S
Mech. cushion extension, driver and passenger		S	S	Personal settings, power steering	S	S	S
Heated front/rear seats		S	S	Safety			
Power foldable rear headrests			S	Driver & Passenger airbag, Side Airbags	S	S	S
Fixed rear headrests	S	S		Cut-Off Switch Passenger AirBag	S	S	S
Interior				Belt minder all seats	S	S	S
Cutting Edge Aluminium decor inlays		S		Audio, Navigation & Telematics			
Urban Grid Decor Inlays	S			Harmann/Kardon Premium Sound		S	S
Drift wood decor inlays			S	High Performance audio	S		
Illuminated vanity mirror in sun visors, both sides	S	S	S	22.86 cm (9 inch) Centre Display with touch screen	S	S	S
Perforated steering wheel with unideco inlay			S	2 USB connections, front tunnel	S	S	S
R-design steering wheel with unideco inlay		S		Speech function	S	S	S
Leather steering wheel with unideco inlay	S			Navigation	S	S	S
Gear shift paddles		S		Smart phone integration (Car play)	S	S	S
Crystal gear lever knob			S	Inductive charging for smartphone, front tunnel		S	S
R-design gear level knob		S		Chassis			
Leather gear level knob	S			Four-C Chassis			S
Pedal R-Design				Sports chassis		S	
Automatically dimmed inner rear view mirror	S	S	S	Dynamic chassis	S		
Carpet kit, textile Inscription			S	Front brake discs 17 inch	S	S	S
Carpet kit, textile R-design		S		Rear brake disc 16 inch	S	S	S
Carpet kit, textile	S			Wheels			
Front tread plates, metal Inscription			S	45.72 cm (18 inch) 6 Spoke Black Diamond Cut			S
Front tread plates, metal R-design		S		45.72 cm (18 inch) 5-Double Spoke Matt Black Diamond Cut		S	
Front tread plates, plastic	S			45.72 cm (18 inch) 5 Spoke Silver Alloy Wheel	S		
Interior illumination high level		S	S	Tyre pressure monitoring system	S	S	S
Interior illumination mid level	S						
Parking ticket holder	S	S	S				
Storage box under driver seat	S	S	S				
GloveBox Curry Hook	S	S	S				
Waste Bin With Net In Front Of Armrest	S	S	S				
Luggage Compartment							
Temporary spare wheel T125/80R18	S	S	S				
Jack	S	S	S				
Power operated tailgate		S	S				
Foldable floor hatches with grocery bag holder	S	S	S				
Cargo opening metal scuff plate		S	S				
First aid kit & Warning triangle	S	S	S				
12V outlet in luggage area			S				



Momentum



R-Design



Inscription

V O L V O