

INNOPLAST™

Innovative Polymer Products

INNOPLAST
10120 GOTTSCHALK PKWY
CHAGRIN FALLS, OH 44023
TOLL FREE: 1-800-516-9287
PHONE: (440) 543-8660
FAX: (440) 543-8661
www.innoplant.com

SELECT DESIRED STANDARD COLOR:

- YELLOW BROWN
- RED TAN
- WHITE GRAY
- BLUE LIGHT GRAY
- BLACK GREEN

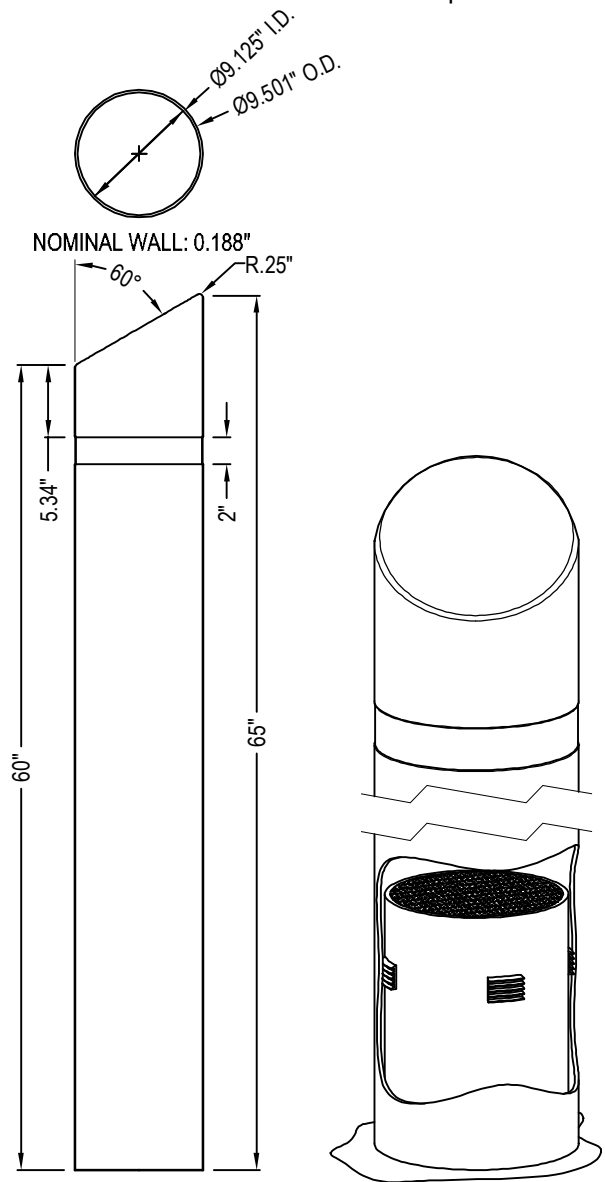
SELECT DESIRED DECORATIVE COLOR:

- BROWN GRANITE
- GRAY GRANITE
- TAN GRANITE

SELECT DESIRED 3M REFLECTIVE TAPE
(AVAILABLE AT 2" WIDTH):

- RED
- WHITE

CUSTOM COLORS AND COLOR-MATCHING
AVAILABLE



DBC865

FEATURES:

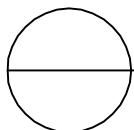
LDPE BOLLARD POST COVER
FITS UP TO 8.625" OD STEEL PIPE, ALL SCHEDULES, UP TO 60" HEIGHT.
5 YEAR WARRANTY AGAINST CRACKING AND FADING
MADE IN U.S.A.

INSTALLATION OPTIONS:

STANDARD SECURE INSTALLATION WITH ADHESIVE GRIPPER TABS (SEE INSTALLATION INSTRUCTIONS).
3/4" AND 2" FOAM STRIPS AVAILABLE FOR NON-STANDARD PIPE SIZE, OR BY REQUEST.

NOTES:

1. INSTALLATION TO BE COMPLETED IN ACCORDANCE WITH MANUFACTURER'S SPECIFICATIONS.
2. DO NOT SCALE DRAWING.
3. THIS DRAWING IS INTENDED FOR USE BY ARCHITECTS, ENGINEERS, CONTRACTORS, CONSULTANTS AND DESIGN PROFESSIONALS FOR PLANNING PURPOSES ONLY. THIS DRAWING MAY NOT BE USED FOR CONSTRUCTION.
4. ALL INFORMATION CONTAINED HEREIN WAS CURRENT AT THE TIME OF DEVELOPMENT BUT MUST BE REVIEWED AND APPROVED BY THE PRODUCT MANUFACTURER TO BE CONSIDERED ACCURATE.
5. CONTRACTOR'S NOTE: FOR PRODUCT AND COMPANY INFORMATION VISIT www.CADdetails.com/info AND ENTER REFERENCE NUMBER 5132-005



DECORATIVE BOLLARDGARD

8" DECORATIVE BOLLARDGARD COVERS (DBC865)