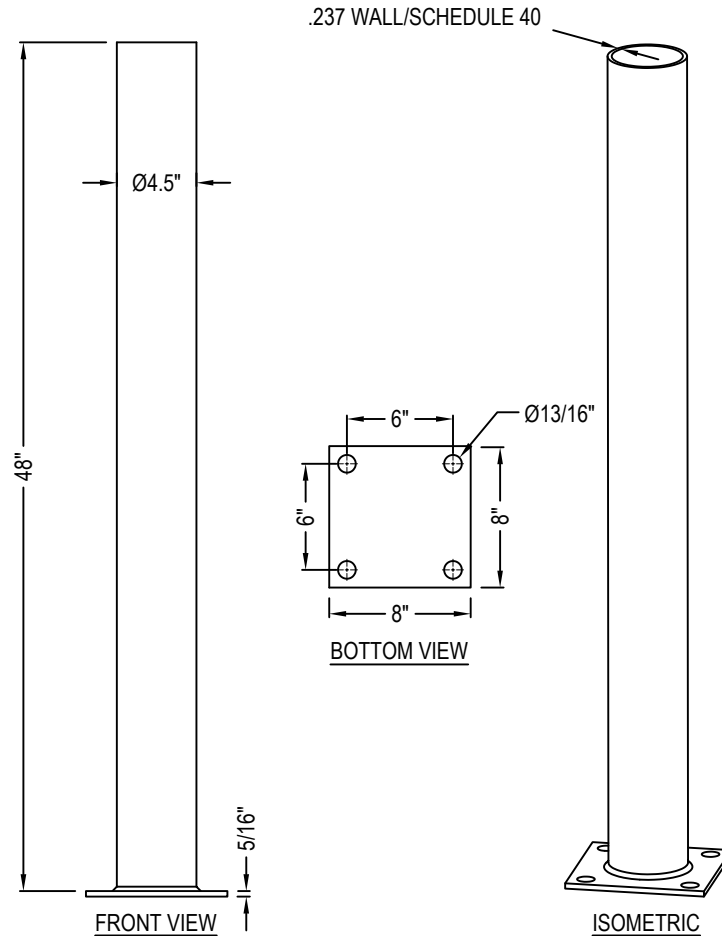


INNOPLAST™
Innovative Polymer Products

INNOPLAST
10120 GOTTSCHALK PKWY
CHAGRIN FALLS, OH 44023
TOLL FREE: 1-800-516-9287
PHONE: (440) 543-8660
FAX: (440) 543-8661
www.innoplast.com



SPECIFICATIONS:

PRODUCT NAME: PIPE448SMB

WALL: SCHEDULE 40

WEIGHT: 50LBS

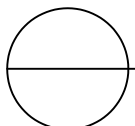
MATERIAL: CARBON STEEL

FINISH: PRIMED

ACCESSORIES: INSTALLATION SOLD SEPERATELY.

NOTES:

1. INSTALLATION TO BE COMPLETED IN ACCORDANCE WITH MANUFACTURER'S SPECIFICATIONS.
2. DO NOT SCALE DRAWING.
3. THIS DRAWING IS INTENDED FOR USE BY ARCHITECTS, ENGINEERS, CONTRACTORS, CONSULTANTS AND DESIGN PROFESSIONALS FOR PLANNING PURPOSES ONLY. THIS DRAWING MAY NOT BE USED FOR CONSTRUCTION.
4. ALL INFORMATION CONTAINED HEREIN WAS CURRENT AT THE TIME OF DEVELOPMENT BUT MUST BE REVIEWED AND APPROVED BY THE PRODUCT MANUFACTURER TO BE CONSIDERED ACCURATE.
5. CONTRACTOR'S NOTE: FOR PRODUCT AND COMPANY INFORMATION VISIT www.CADdetails.com/info AND ENTER REFERENCE NUMBER 5132-053



PERMANENT FIXED BOLLARDS

SURFACE MOUNT STEEL BOLLARDS