

# INNOPLAST™

Innovative Polymer Products

INNOPLAST  
10120 GOTTSCHALK PKWY  
CHAGRIN FALLS, OH 44023  
TOLL FREE: 1-800-516-9287  
PHONE: (440) 543-8660  
FAX: (440) 543-8661  
www.innoplast.com

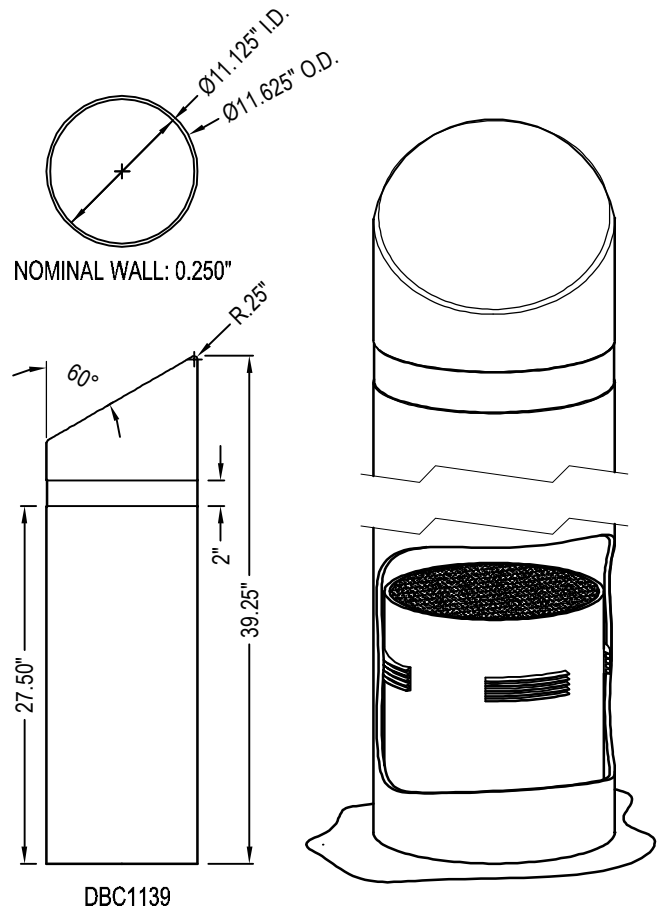
SELECT DESIRED STANDARD COLOR:

- GRAY GRANITE
- TAN GRANITE
- BROWN GRANITE
- BLACK

SELECT DESIRED 3M REFLECTIVE TAPE (AVAILABLE AT 2" WIDTH):

- RED
- WHITE

CUSTOM COLORS AND COLOR-MATCHING AVAILABLE



DBC1139

#### FEATURES:

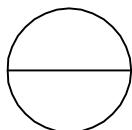
LDPE BOLLARD POST COVER  
FITS UP TO 10.75" OD STEEL PIPE, ALL SCHEDULES, MAX HEIGHT 27.5"  
5 YEAR WARRANTY AGAINST CRACKING AND FADING  
MADE IN U.S.A.

#### INSTALLATION OPTIONS:

STANDARD SECURE INSTALLATION WITH ADHESIVE GRIPPER TABS (SEE INSTALLATION INSTRUCTIONS).  
3/4" AND 2" FOAM STRIPS AVAILABLE FOR NON-STANDARD PIPE SIZE, OR BY REQUEST.

#### NOTES:

1. INSTALLATION TO BE COMPLETED IN ACCORDANCE WITH MANUFACTURER'S SPECIFICATIONS.
2. DO NOT SCALE DRAWING.
3. THIS DRAWING IS INTENDED FOR USE BY ARCHITECTS, ENGINEERS, CONTRACTORS, CONSULTANTS AND DESIGN PROFESSIONALS FOR PLANNING PURPOSES ONLY. THIS DRAWING MAY NOT BE USED FOR CONSTRUCTION.
4. ALL INFORMATION CONTAINED HEREIN WAS CURRENT AT THE TIME OF DEVELOPMENT BUT MUST BE REVIEWED AND APPROVED BY THE PRODUCT MANUFACTURER TO BE CONSIDERED ACCURATE.
5. CONTRACTOR'S NOTE: FOR PRODUCT AND COMPANY INFORMATION VISIT [www.CADdetails.com/info](http://www.CADdetails.com/info) AND ENTER REFERENCE NUMBER 5132-007



## DECORATIVE BOLLARDGARD

11" DECORATIVE BOLLARDGARD COVERS ( DBC1139 )