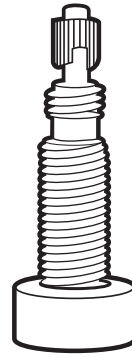


delta

High Pressure Floor Pump

Assembly Instructions FP1000

- 1 Determine if your tire uses a Presta or Schrader valve.

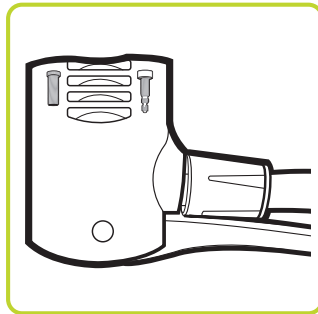
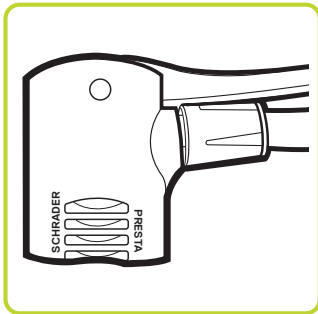


PRESTA VALVE

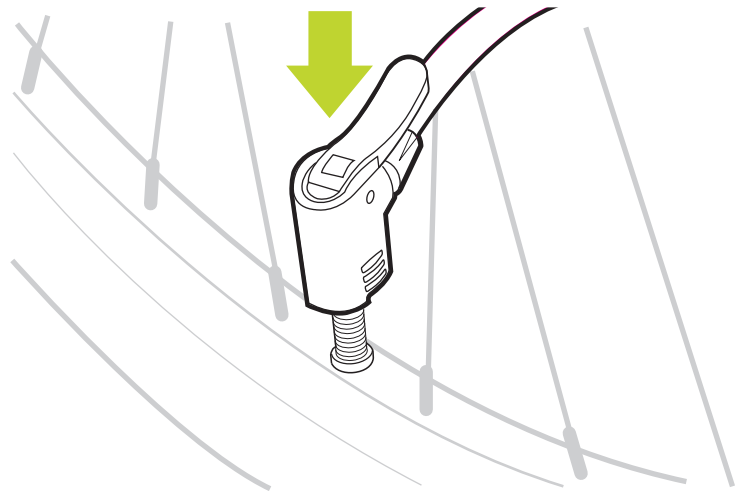


SCHRADER VALVE

- 2 Use appropriate head for you valve type. See markings on the pump head.

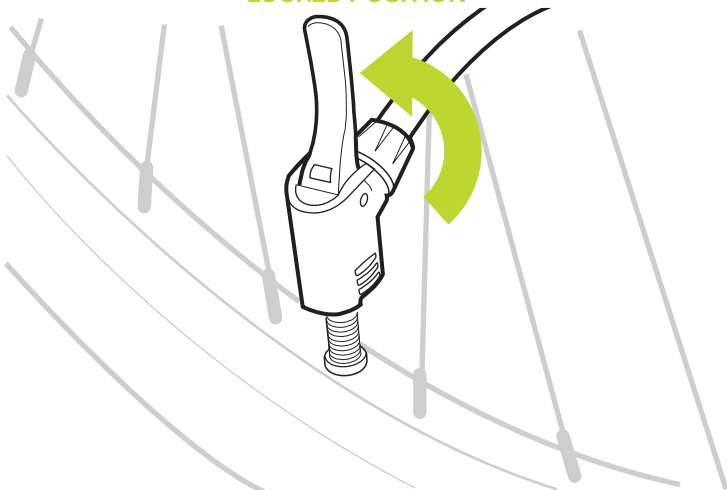


- 3 Apply downward pressure to the pump head to secure position.

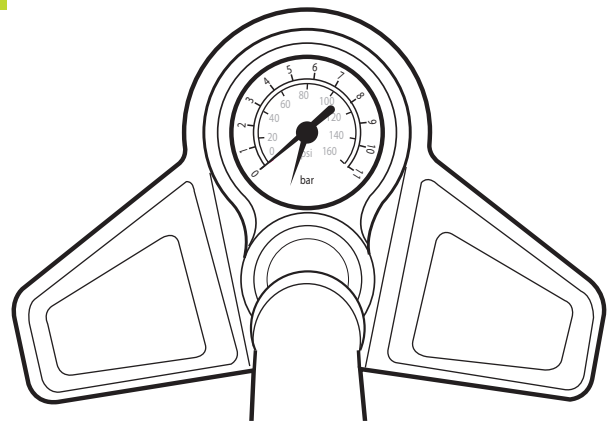


- 4 Lock the pump head onto the tire valve by pulling the lever up into the locked position.

LOCKED POSITION



- 5 Inflate the tire to the desired pressure.



IMPORTANT SAFETY NOTE

Inflate tires to the tire manufacturers recommended pressure.

022123

Delta Cycle Corporation
36 York Avenue, Randolph, MA 02368 USA
800-474-6615 / www.designbydelta.com

© Copyright 2022

Service: Please do not return to store;
for immediate response email
service@designbydelta.com

