

# IMPORTANT SAFETY INFORMATION

## Assembly for Fire Pit



Before assembling or operating this firepit unit, please take time to carefully read this manual. Failure to do so may result in a fire, explosion, injury or death.

### UNIT FOR OUTDOOR USE ONLY

- This product is designed for use outdoors in a well ventilated space and shall not be used in any enclosed area.
  - This unit is to be used with propane bottled gas only (sold separately)
  - DO NOT attach this unit to mains gas supply.
  - Do not use any solid fuel or charcoal for this unit.
  - When igniting this unit, stay away from the burner as the flame will light up and may cause injury.
  - LP GAS WARNING: Do not use any more than 1/4 in depth lava rocks/pumice stones above the burner holes. Doing so will suffocate the flame. Pilot cage must never be covered.
  - If you smell gas or hear a hiss
    1. Shut off gas to the firepit.
    2. Extinguish any open flame.
    3. If the odour continues, contact your gas supplier immediately. If there is a fire, contact the emergency services for help.
  - The max. inlet supply pressure: max. Gas supply 11 in w.c. (2.74kPa)  
Use LP propane tanks with the appropriate connections. In the UK this is a patio gas push fitting.
  - You must use a propane tank that has a collar to protect the gas valve.
- Discontinue use if any part of the propane tank is damaged.
  - Rust and dents may be hazardous and should be inspected by a gas supplier.
  - Do not burn anything other than the provided materials for this fire table.
  - Keep away from the unit for the first 20 minutes after igniting your unit, as fire stones / lava rocks could pop out and cause injury. Should any rocks pop out, discard them.
  - Always ensure that fire stones / lava rocks are completely dry before use. Failure to do so will cause them to crack or pop.
  - Do not operate unit until all parts are fully assembled.
  - Do not paint or colour any part of this heating unit.
  - Do not attempt to move the unit while in use as it will be hot.
  - Never leave this heating unit unattended while in use.
  - Flammable items should be kept away, and no other fireplace cover should be used.
  - Keep a safe distance to avoid burning skin or clothing.
  - Do not sit or rest hands or feet on this heating unit while in use.

# IMPORTANT SAFETY INFORMATION

## Assembly for Fire Pit



Before assembling or operating this firepit unit, please take time to carefully read this manual. Failure to do so may result in a fire, explosion, injury or death.

- Keep fuel supply hose and any electrical cables away from heated surfaces.

- Combustible material should not be within 180 inches of the top of the unit, or within 120cm around the entire unit.

- Keep the appliance area clear and free from combustible material.

- If the flame goes out while burning, turn the gas valve off. Wait 5 minutes before repeating the initial lighting procedure. Once you have a flame started, hold down the control knob for one minute.

- Do not add water into the unit.

- Do not operate unit if any part has been submersed under water. Immediately call a qualified service technician to inspect the appliance and replace any part of the control system and any gas control that has been under water.  
Do not disconnect any part while unit is in use.

- Do not store a spare propane tank on or near this unit.

- Always remove any protective coverings before operating.

- Do not use the protective firepit unit cover until the unit is turned off and completely cooled down.

- Check for leaks after not using the unit for long periods of time.

**- Children must be supervised while near this unit and should never operate it.**

- The maximum gas supply pressure is 250psi.

- This unit should be inspected annually and cleaned regularly.

- Inspect all elements of this heating unit before each use. If there is damage, the burner must be replaced.

- Keep the hose out from any walkways to eliminate any accidental damage.

- The gas supply tank should be constructed and marked with the specifications for usage in the UK.

- Young children should be carefully supervised when they are in the area of the appliance.

- It is important the control compartment, burners and circulating airways of the appliance are kept clean.

- Do not use the item while the lid is installed.

# IMPORTANT SAFETY INFORMATION

## Assembly for Fire Pit

<p><b>For your safety</b></p> <ul style="list-style-type: none"> <li>• This product must only be used for its intended purpose, any other uses may affect the warranty.</li> <li>• Check all components regularly for loose connections or damage.</li> <li>• Damaged components may endanger your safety. Damaged parts must be replaced immediately by a qualified service person, using only manufacturer approved parts.</li> <li>• Use of non-manufacturer approved or supplied parts/accessories will void the warranty of this product and can cause damage.</li> <li>• The manufacturer will not be responsible for damage caused by improper use.</li> </ul>		
<b>TROUBLESHOOTING</b>		
PROBLEM	CAUSE	REMEDY
<b>Burner will not light</b>	No Propane Gas at Burner	Check that gas tank valve is open. Turn control knob to “on” and push control knob in. Make sure the tank has propane gas.
	No Spark at Electrode	Check that AAA battery is installed with negative (-) end first and has a charge. Check that the wire is connected to the ignition module. Check that the electrode is not cracked or broken.
	Lack of Oxygen	Remove excess lava rocks or glass stones from around the ignition well.
<b>Burner won't stay lit after lighting</b>	Thermocouple not in flame	Check that the tip of the thermocouple is even with the top of the ignition well. Remove any lava rocks or glass stone from the ignition well.
	Thermocouple connection at the main control valve is loose	Tighten the thermocouple nut at the back of the valve.
	No Lava Rocks or Glass Stones in Burner	Cover the burner with Lava Rocks or Glass Stones. Should be one layer deep, just enough to cover the tubes.

# IMPORTANT SAFETY INFORMATION

## Assembly for Fire Pit

### WARNING FOR YOUR SAFETY

Do not touch or move your firepit for at least 45 minutes after use to allow too fully cool.  
Before performing ANY maintenance always disconnect the propane gas bottle.

To enjoy years of great performance from your fire pit, make sure you perform the following maintenance activities on a regular basis:

#### **Keep exterior surfaces clean.**

- Use warm soapy water for cleaning. Never use flammable or corrosive cleaning agents.
- While cleaning your unit, be sure to keep the area around the burner dry.
- Do not submerge the control valve assembly. If the gas control is submerged in water, do NOT use it. It must be replaced.
- Keep the appliance area clear and free from combustible materials and other flammable vapors and liquids.

#### **Keep the burner and air vents clear from obstructions.**

- Keep the ventilation opening(s) of the cylinder enclosure clear from debris.
- Visually inspect burners for obstruction
- Signs of potential burner blockage include:
  - Gas odor with extreme yellow tipped flames.
  - The Firepit not reaching the desired temperature.
  - The Firepit making 'popping' noises.

#### **Spiders and insects can nest in the burner or orifices.**

- This can damage the fire pit and render it unsafe for use. Clean burner holes by using a pipe cleaner.
- Compressed air may help clear away smaller particles.
- Always place lid (if applicable) or protective cover on heating item when not in use.

**Note: Wait until the fire pit is fully cooled before any cleaning**

This product may only be used for its intended purpose for residential premises. Any other uses may affect the warranty.

#### **Storage**

Between uses:

- Turn Control Knob OFF.
- Disconnect the propane gas bottle.
- Store your fire pit upright in an area sheltered from direct contact with inclement weather (such as rain, sleet, hail, snow, dust and debris).
- If desired, cover your fire pit to protect exterior surfaces and to help prevent build-up in air passages.

**Note: Wait until the fire pit is fully cooled before covering.**



# IMPORTANT SAFETY INFORMATION

## Assembly for Fire Pit



### **Danger**

#### ***If you smell gas:***

1. Shut off gas to the appliance
2. Extinguish any open flame.
3. If odor continues, contact your gas canister supplier immediately.  
If there is a fire, contact the emergency services.



### **Warning**

Improper installation, adjustment, alteration, service or maintenance can cause injury or property damage. Read the installation, operating and maintenance instructions thoroughly before installing or servicing this equipment. If the information in this manual is not followed exactly, a fire or explosion may result causing property damage, personal injury or loss of life.



### **Warning**

Do not store or use gasoline or other flammable vapors and liquids in the vicinity of this or any other appliance.

A liquid propane cylinder not connected for use should not be stored in the vicinity of this or any other appliance.



### **Warning**

#### ***For Outdoor Use ONLY***

For use with 11LB (5KG) propane cylinder with type 1 connection. The liquid propane regulator must be supplied by the manufacturer. Do not connect to mains gas supply.

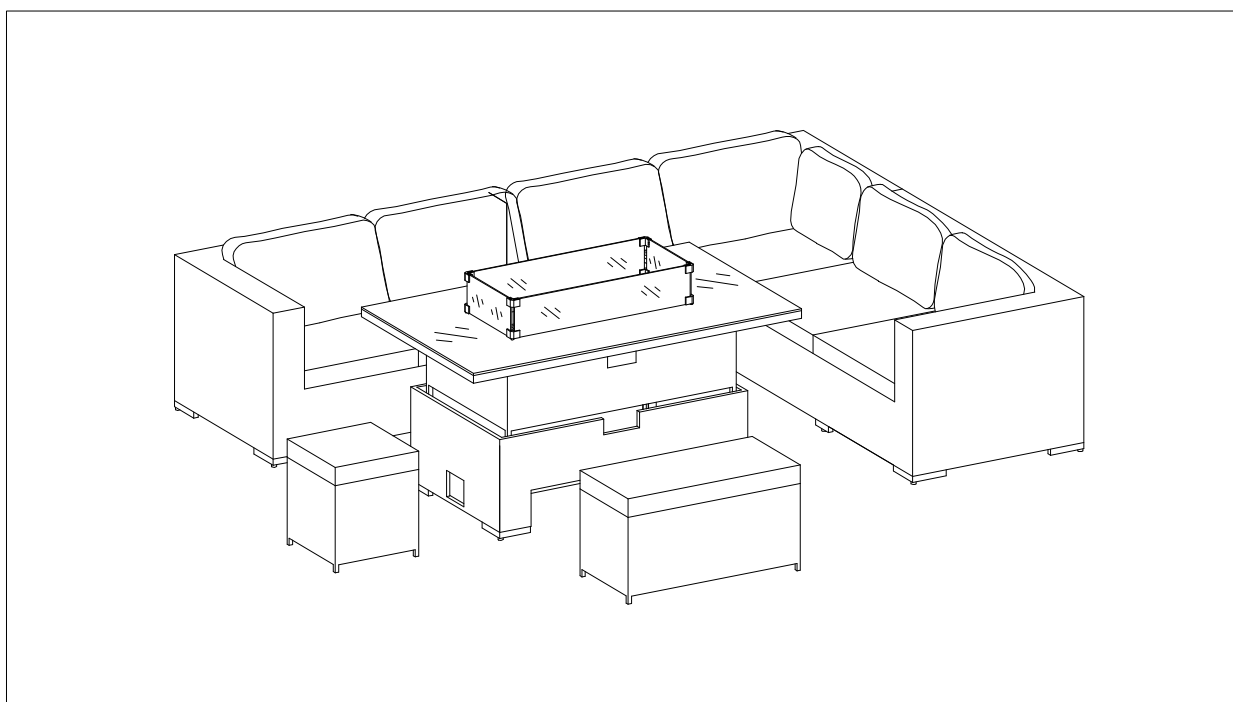


### **Warning**

#### **CARBON MONOXIDE HAZARD**

This appliance can produce carbon monoxide which has no odor. Using it in an enclosed space can kill you. Never use this appliance in an enclosed space such as a camper, tent, car or home.





# INSTRUCTION MANUAL



## CHAKRA FIREPIT Corner Dining Set

Grey/Brown

## NOTICE

Please retain these instructions for future reference.

Please do not exceed the weight limitations of this item.

Do not stand on or use any part of this item as a step ladder.

Firmly secure all bolts, screws and knobs before use.

Reconfirm that all bolts, screws, and knobs are secure every 90 days.

Fasten screws loosely during initial assembly. Do not firmly tighten the screws until the item is completely assembled.

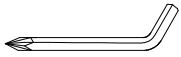
Be aware that some parts are heavy and have sharp edges.

If any parts are missing, broken, damaged, or worn, stop using this product until repairs are made and/or factory replacement parts are installed.

Do not use this item in a way inconsistent with the manufacturer's instructions as this could void the product warranty.

Please wear gloves when assembling

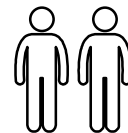
## TOOLS REQUIRED



ALLEN WRENCH  
(PROVIDED)



300 LBS  
PER SEAT

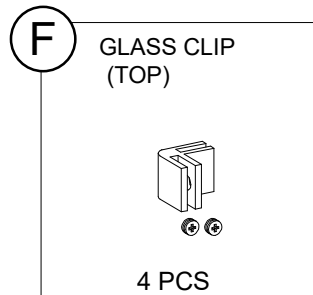
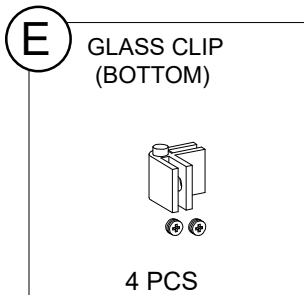
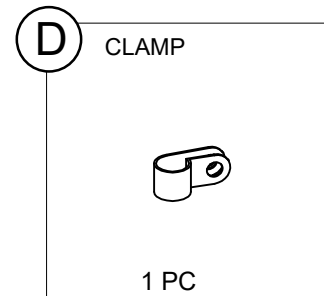
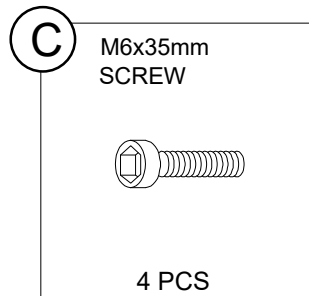
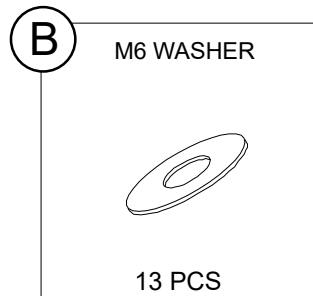
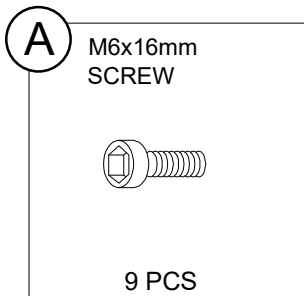


2 PERSON  
ASSEMBLY

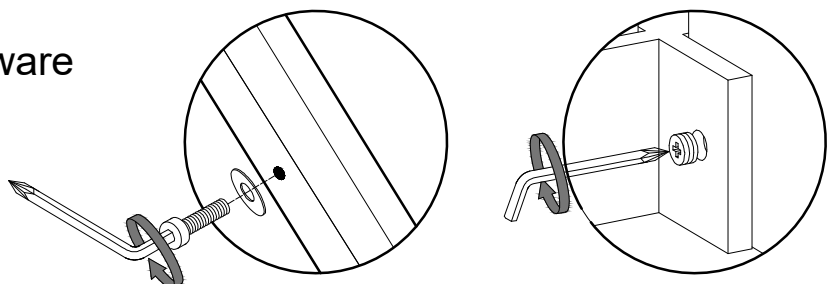


APPROXIMATELY  
20 MIN.  
ASSEMBLY

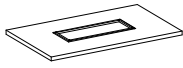
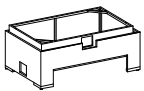
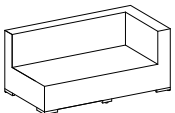
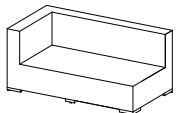
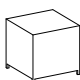
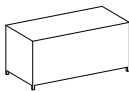
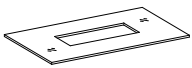
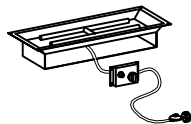
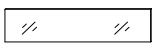
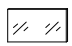
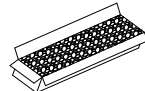
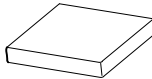
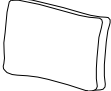



## HARDWARE



Use tools to attach hardware  
in the following way:

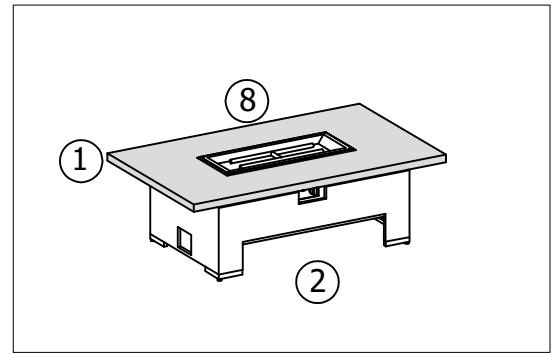
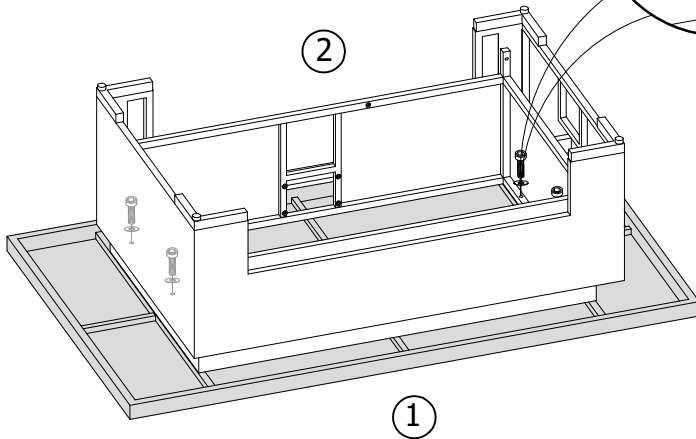
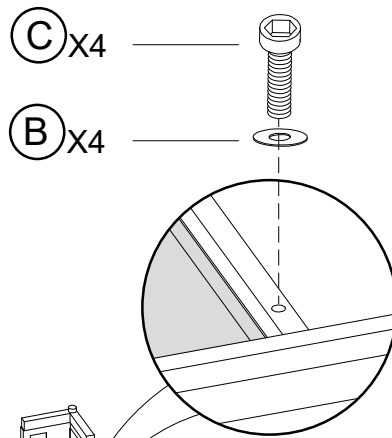


# PARTS

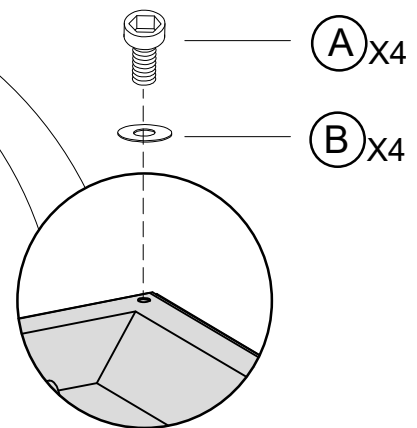
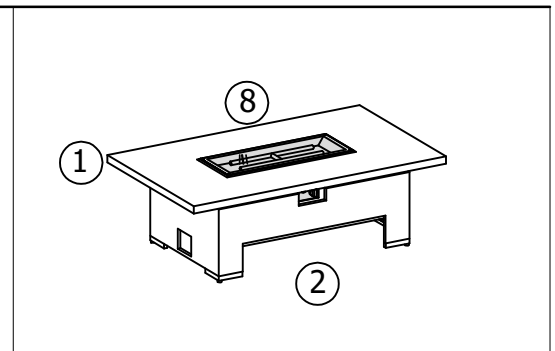
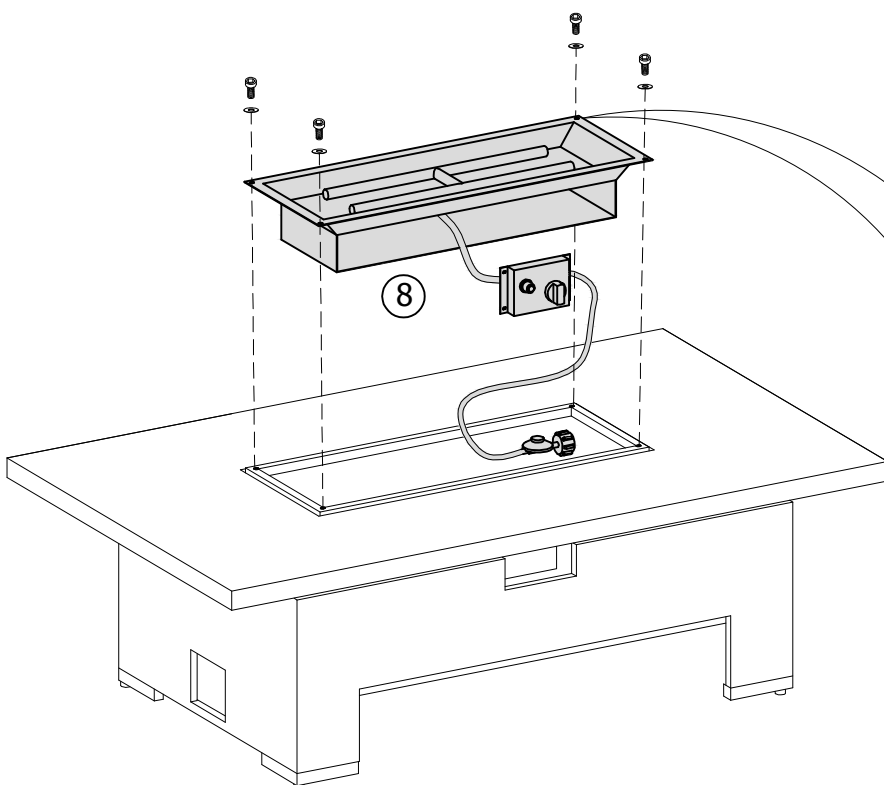
- 1 TABLE TOP  
  
1 PC
- 2 TABLE BASE  
  
1 PC
- 3 LEFT LOVESEAT SOFA  
  
2 PCS
- 4 RIGHT LOVESEAT SOFA  
  
1 PC
- 5 SHORT STOOL  
  
1 PC
- 6 LONG STOOL  
  
1 PC
- 7 TABLE GLASS  
  
1 PC
- 8 STOVE  
  
1 PC
- 9 LONG WINDSCREEN  
  
2 PCS
- 10 SHORT WINDSCREEN  
  
2 PCS
- 11 LAVA ROCKS  
  
1 PC
- 12 SOFA CUSHION  
  
6 PCS
- 13 LONG BACK CUSHION  
  
6 PCS
- 14 SHORT BACK CUSHION  
  
1 PC
- 15 SHORT STOOL CUSHION  
  
1 PCS
- 16 LONG STOOL CUSHION  
  
1 PCS

# PRODUCT ASSEMBLY - TABLE

1

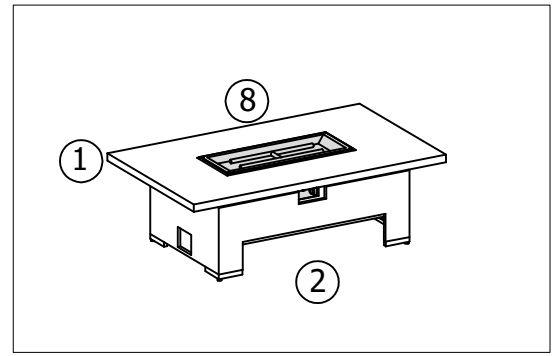
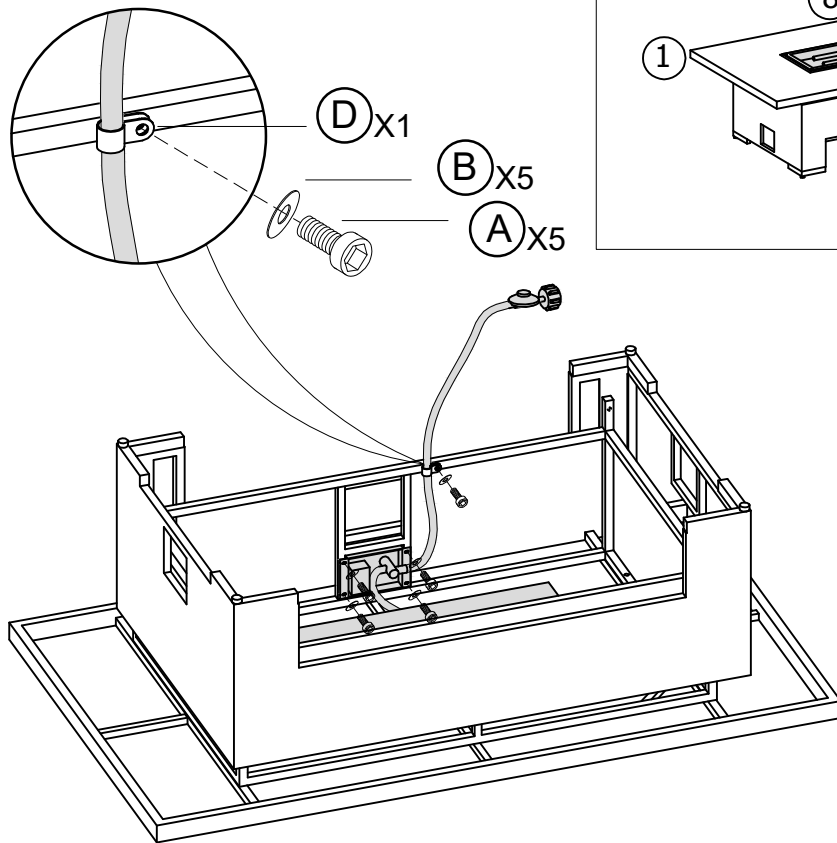


2

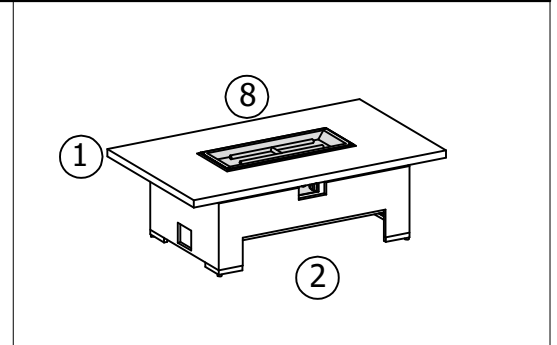
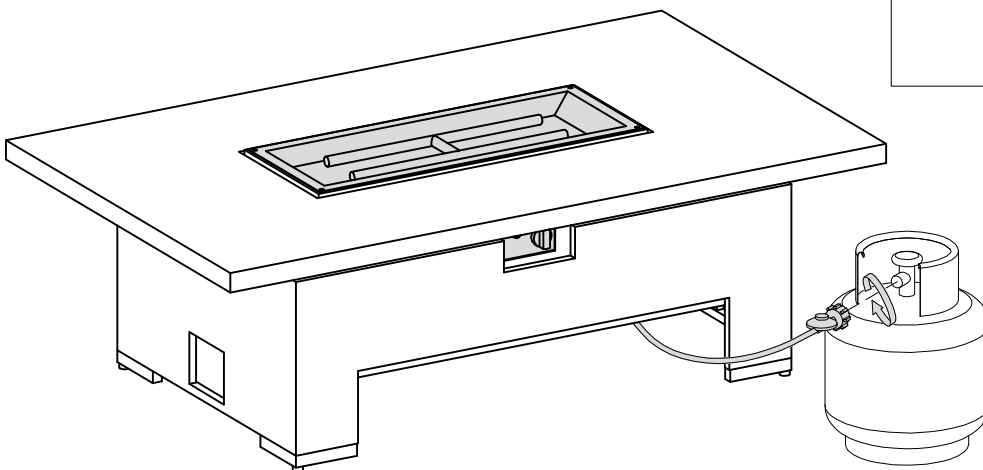


# PRODUCT ASSEMBLY - TABLE

3



4



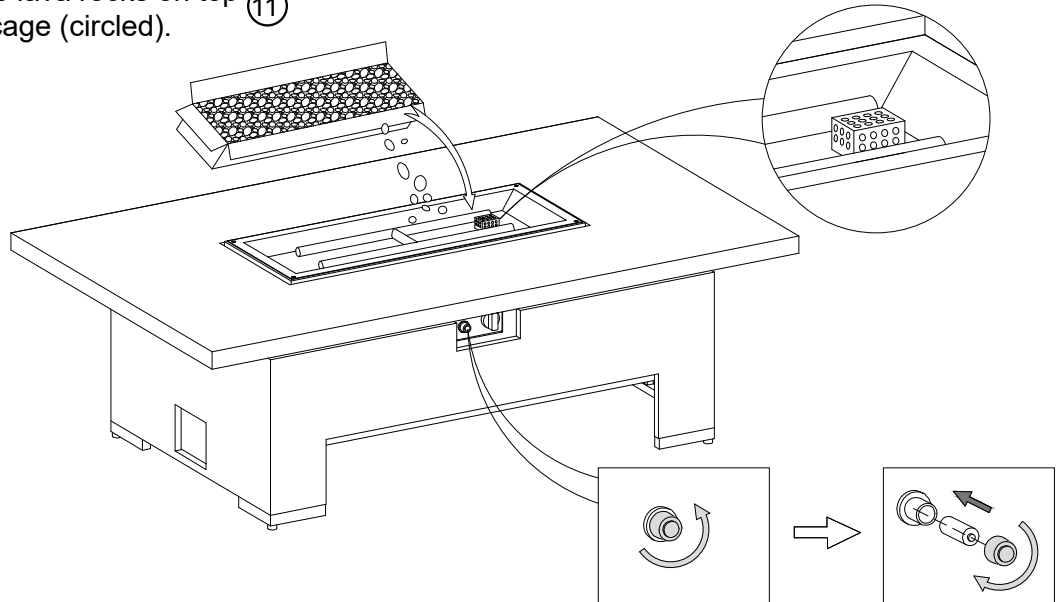
# PRODUCT ASSEMBLY - TABLE

5

Hand place your lava rocks into the burner.

Lava rocks should be placed one layer deep, just enough to cover the burner tubes.

Do not place lava rocks on top of the pilot cage (circled) <sup>11</sup>

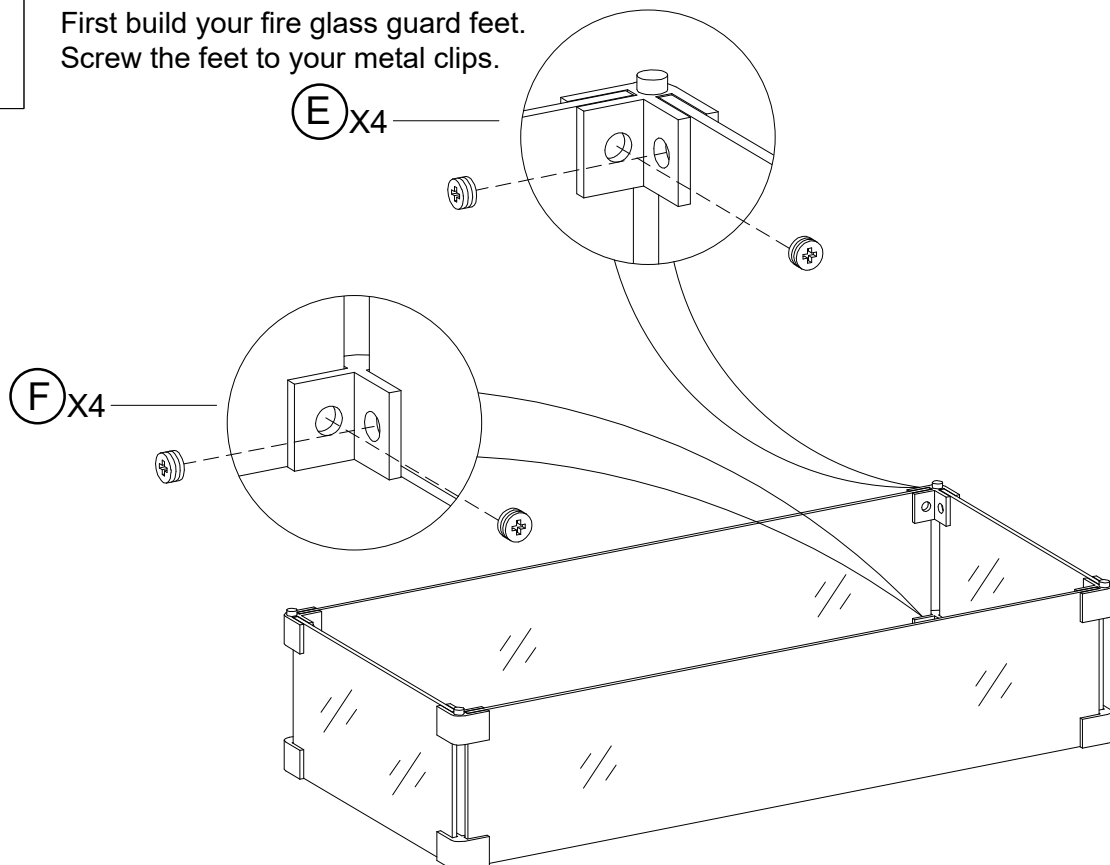


Please note:AAA Battery (Not supplied)

## IMPORTANT-RETAIN FOR FUTURE REFERENCE

6

First build your fire glass guard feet. Screw the feet to your metal clips.



Keep one piece of the glass vertical, then install two clips (the ones without round heads) to both bottom edges with screws and nuts using a screwdriver.

Do not over tighten.

Repeat Step 1 for the rest of the three pieces of glass and clips (the ones without round head)

Do not over tighten.

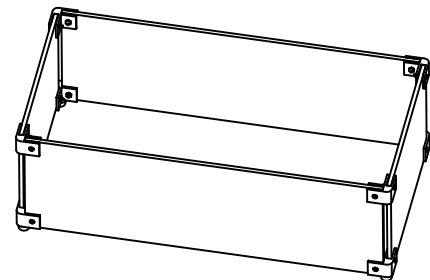
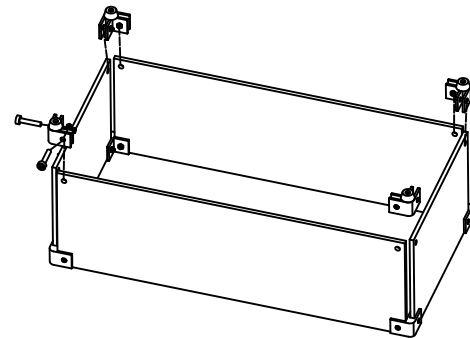
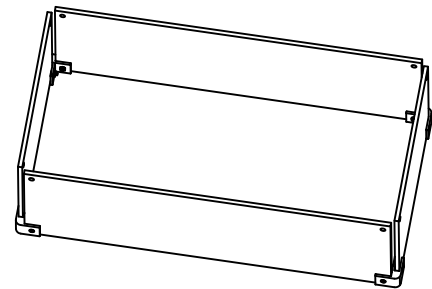
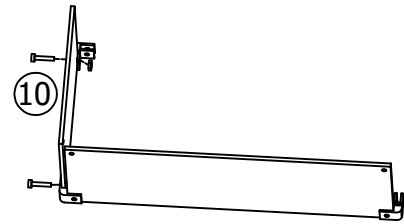
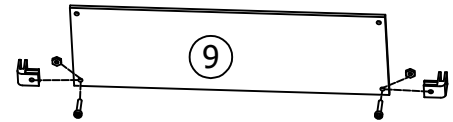
Slightly tighten the four nuts for a stable shape.

Install the four pieces of the foot clips (the ones with round head) to the top four corners with screws and nuts using a screwdriver.

Tighten all the screws and nuts completely.

Note: a few turns at a time, do not over tighten.

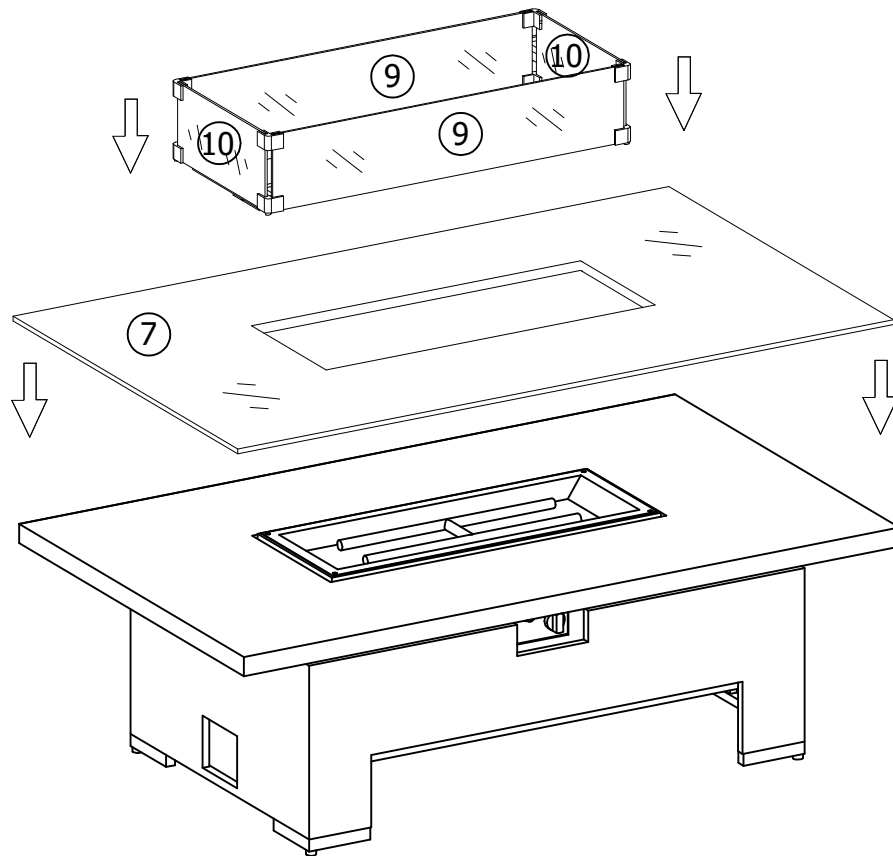
Turn the glass wind guard to the upright position. Your glass wind guard is now ready for use.



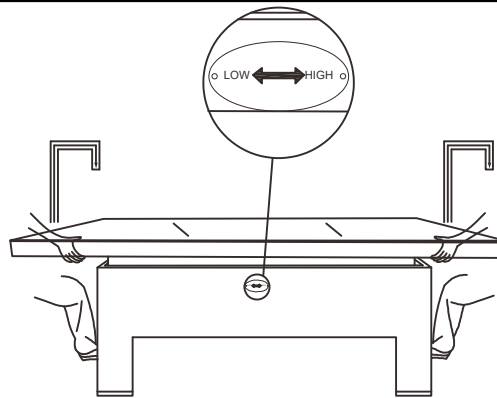


# PRODUCT ASSEMBLY - TABLE

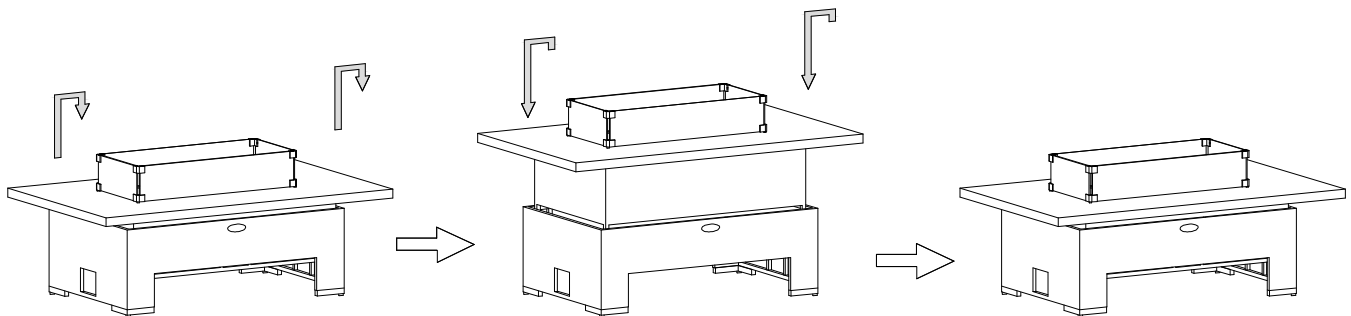
7



8



Two man lifting.



Please follow the direction of metal badge on the table , which shows how to change the height.

## OPTION 1: High dining table

Firstly,two person please put one of your foot in the hole of the table sides as picture showed, then lift the table top up, and push it on the right which showed on the metal badge to fix the height.

## OPTION 2: Low coffee table

Firstly,two person please put one of your foot in the hole of the table sides as picture showed, push it on the left which showed on the metal badge, then put the table top down.