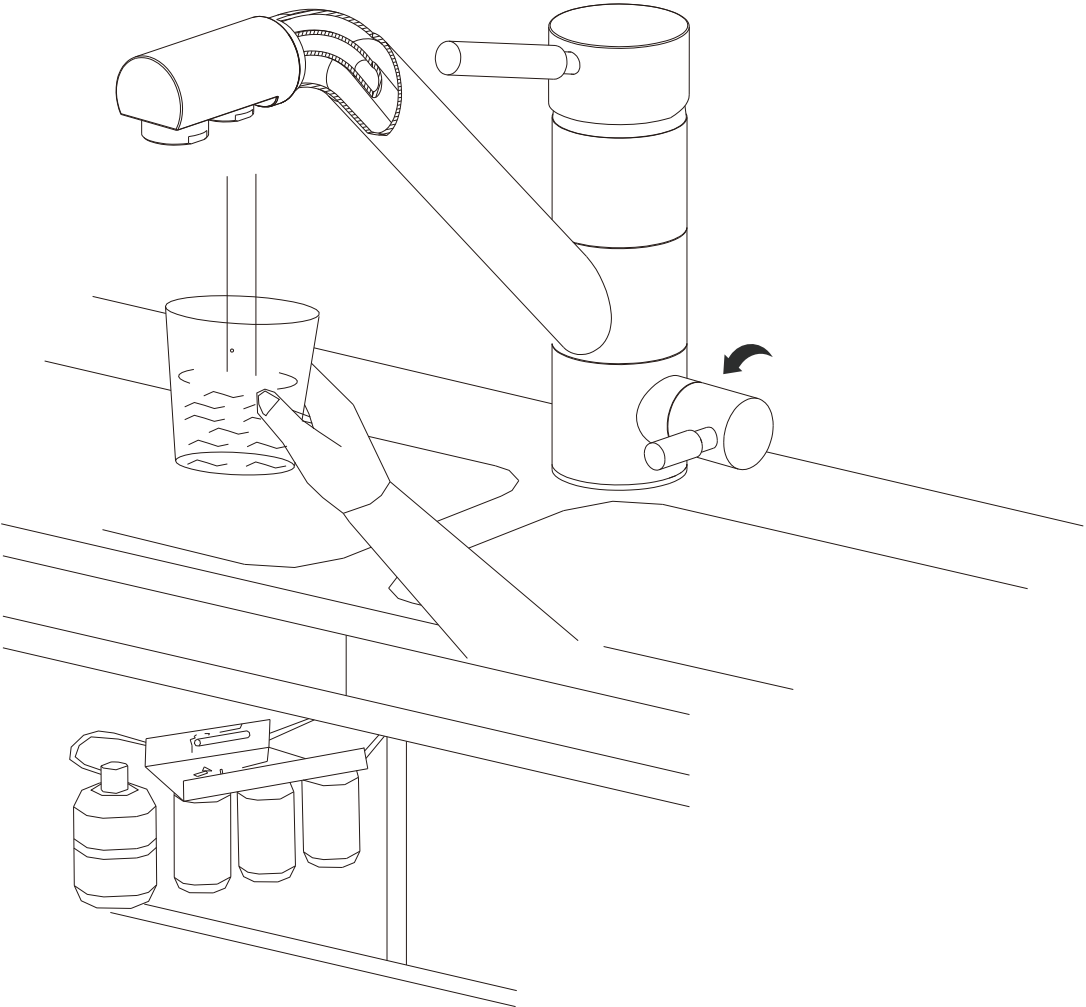
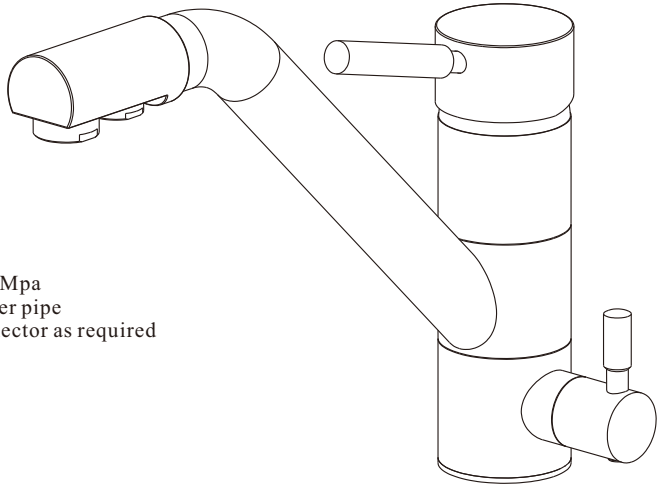


Three Way Kitchen Faucet



Installation Instruction

Three Way Kitchen Faucet

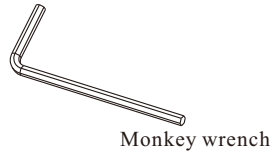
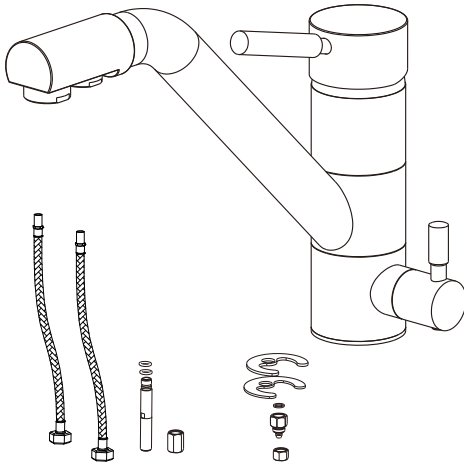


Specification

1. Chrome surface
2. Ceramic valve cartridge
3. Flow rated: 2.2G/M base on 0.5Mpa
4. 1/4" Connector for filtered water pipe
5. G-3/8 or G-1/2 Hose pipe connector as required

Installing tools

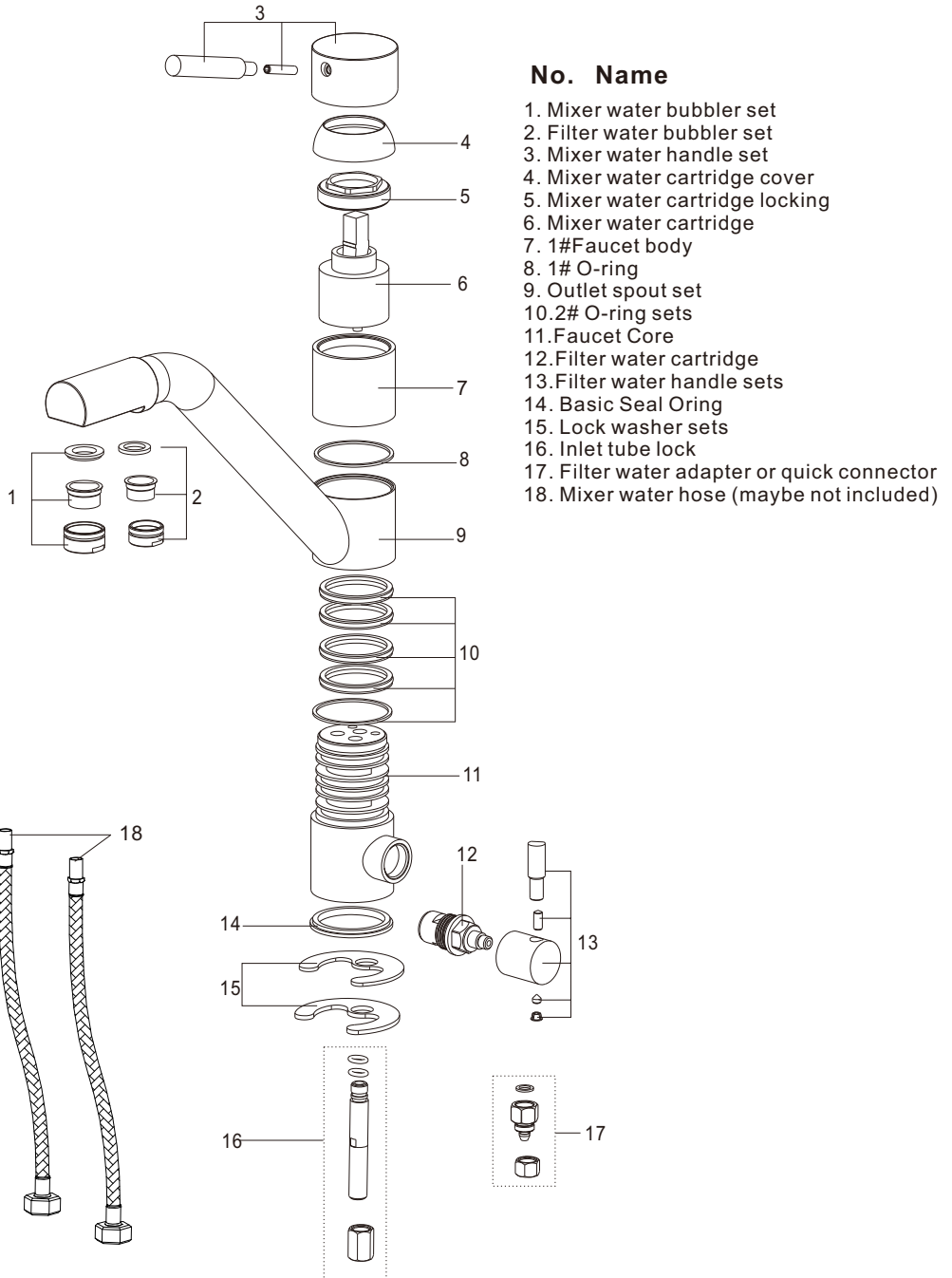
- * Allen wrench (2.5mm)
- * Pipe tape
- * Monkey wrench



Accessories:

1. 2Pcs hot and cold stainless steel hoses ,
2. 1sets water filter adapter ;
3. 1pcs rubber gasket ,
4. 1Pcs stainless steel gasket

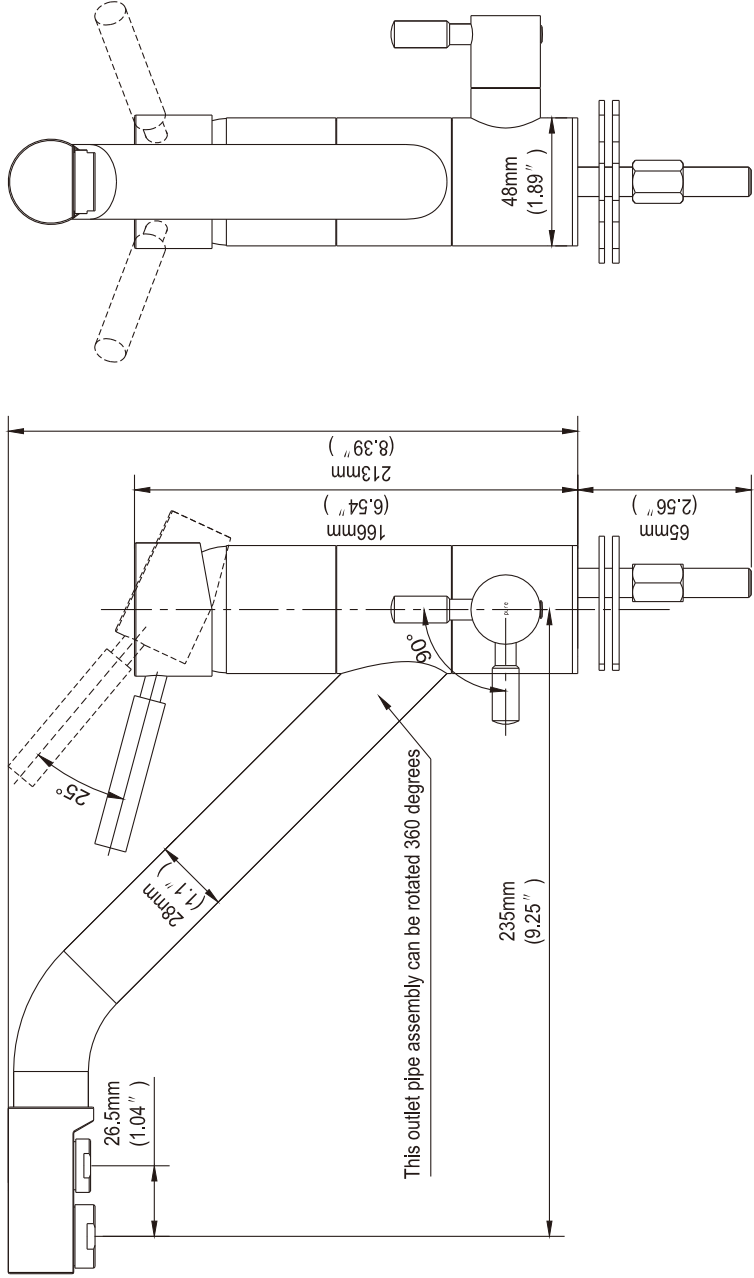
Replacement Parts



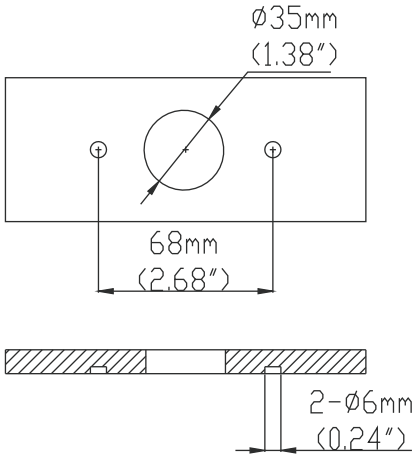
No. Name

1. Mixer water bubbler set
2. Filter water bubbler set
3. Mixer water handle set
4. Mixer water cartridge cover
5. Mixer water cartridge locking
6. Mixer water cartridge
7. 1#Faucet body
8. 1# O-ring
9. Outlet spout set
10. 2# O-ring sets
11. Faucet Core
12. Filter water cartridge
13. Filter water handle sets
14. Basic Seal O-ring
15. Lock washer sets
16. Inlet tube lock
17. Filter water adapter or quick connector
18. Mixer water hose (maybe not included)

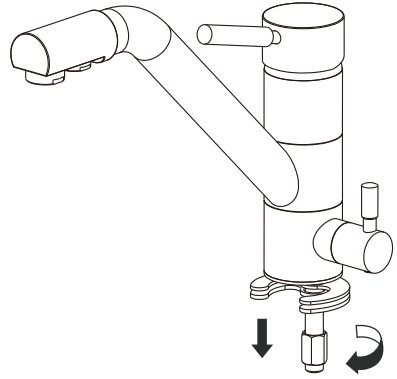
Profile Drawing



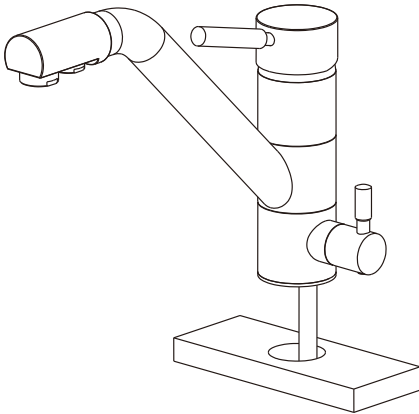
Faucet Installation Procedures



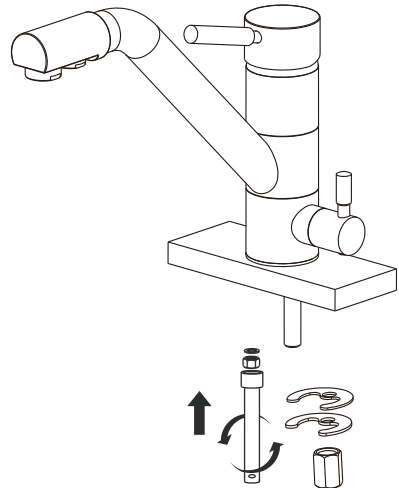
Step ①



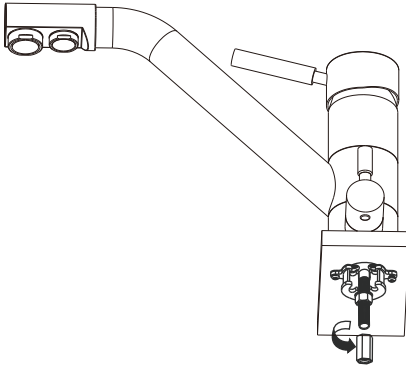
Step ②



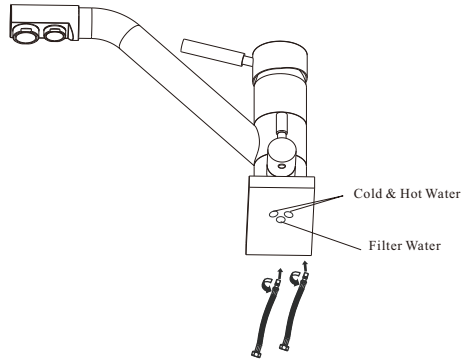
Step ③



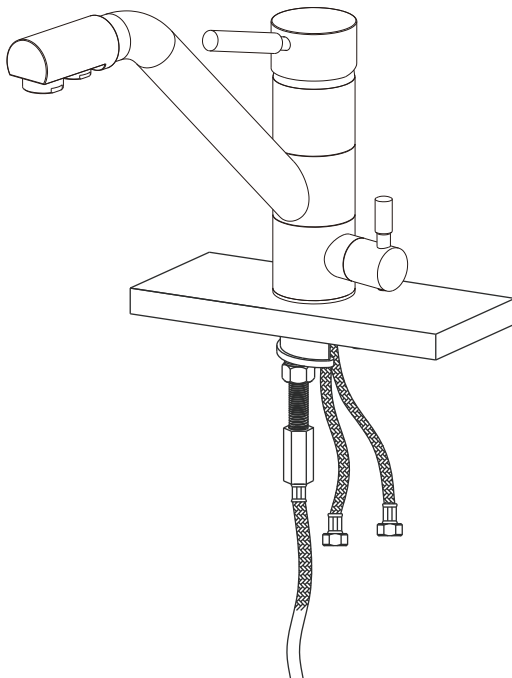
Step ④



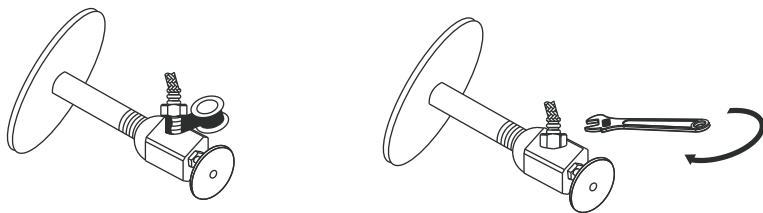
Step ⑤



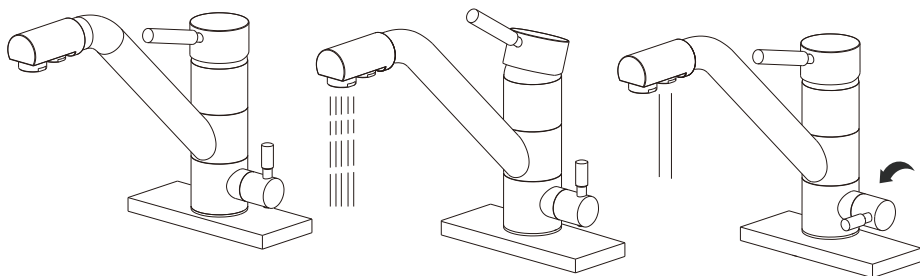
Step ⑥



Step ⑦



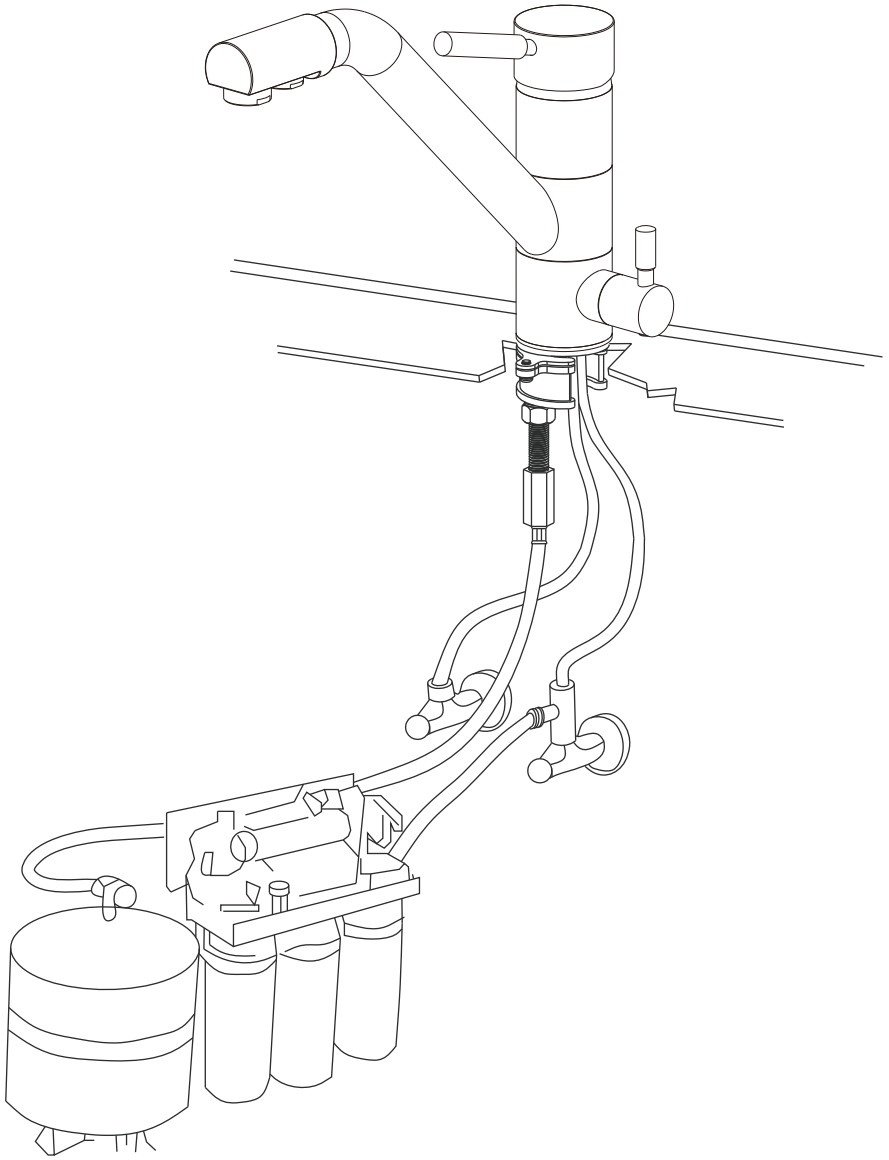
Step ⑧



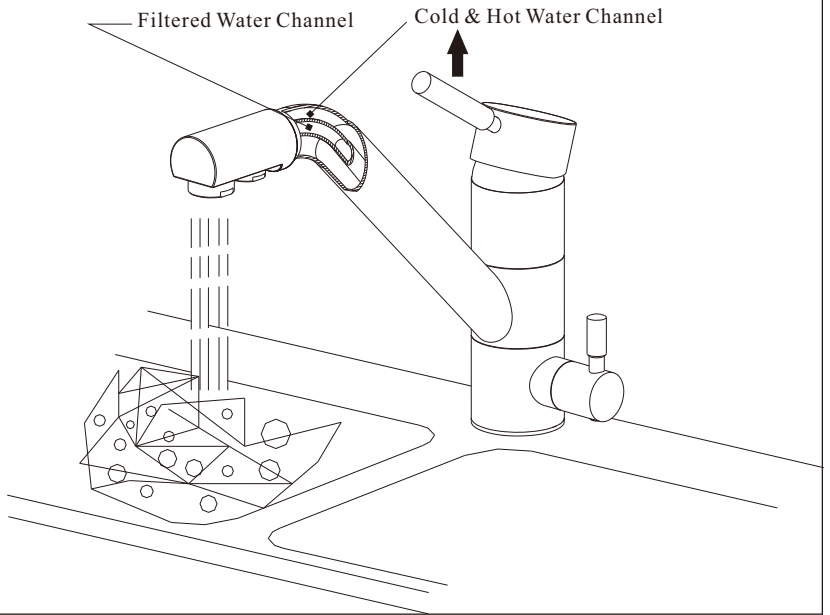
Notice

Please removal all the sand, silt etc. anything maybe block the cartridge before fixed to your kitchen Counter top. If the faucet cannot work, please send to a qualified person to repair it

Step ⑨



Step ⑩



Step ⑪

