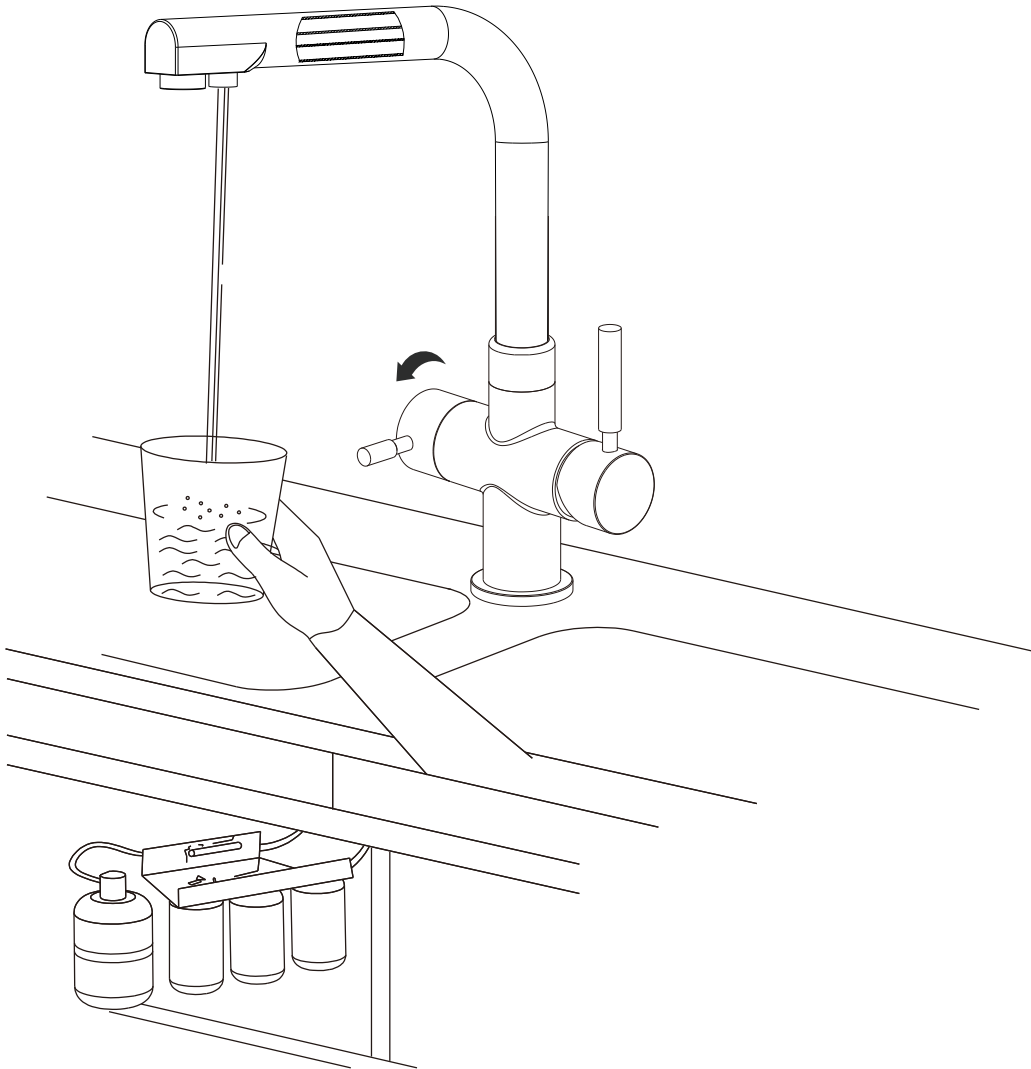




# Hommix Berta 3-Way Tap





# Installation Instructions

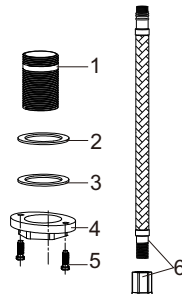
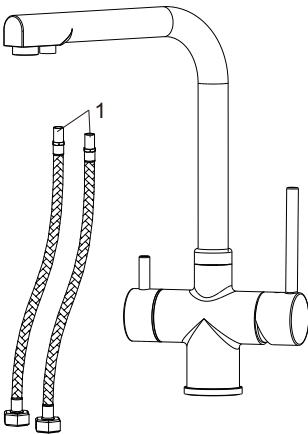
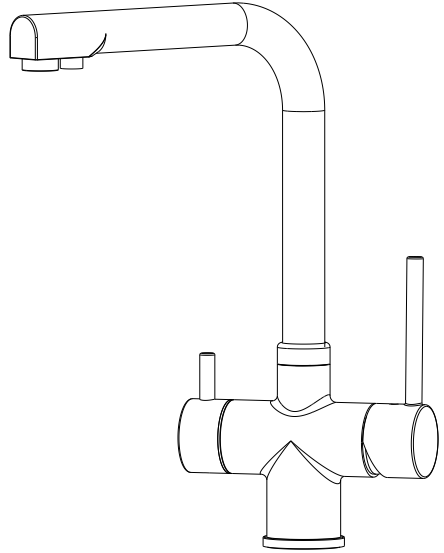
## Hommix Berta Three Way Kitchen Tap

### Specifications

1. Ceramic valve cartridge
2. Flow rate: 2.2G/M base on 0.5Mpa
3. 1/4" Connector for filtered water tube
4. 2 x G-1/2" Flexible Hoses

### Installation Tools

- Adjustable Spanner / Monkey Wrench
- PTFE tape
- 2.5mm Allen key

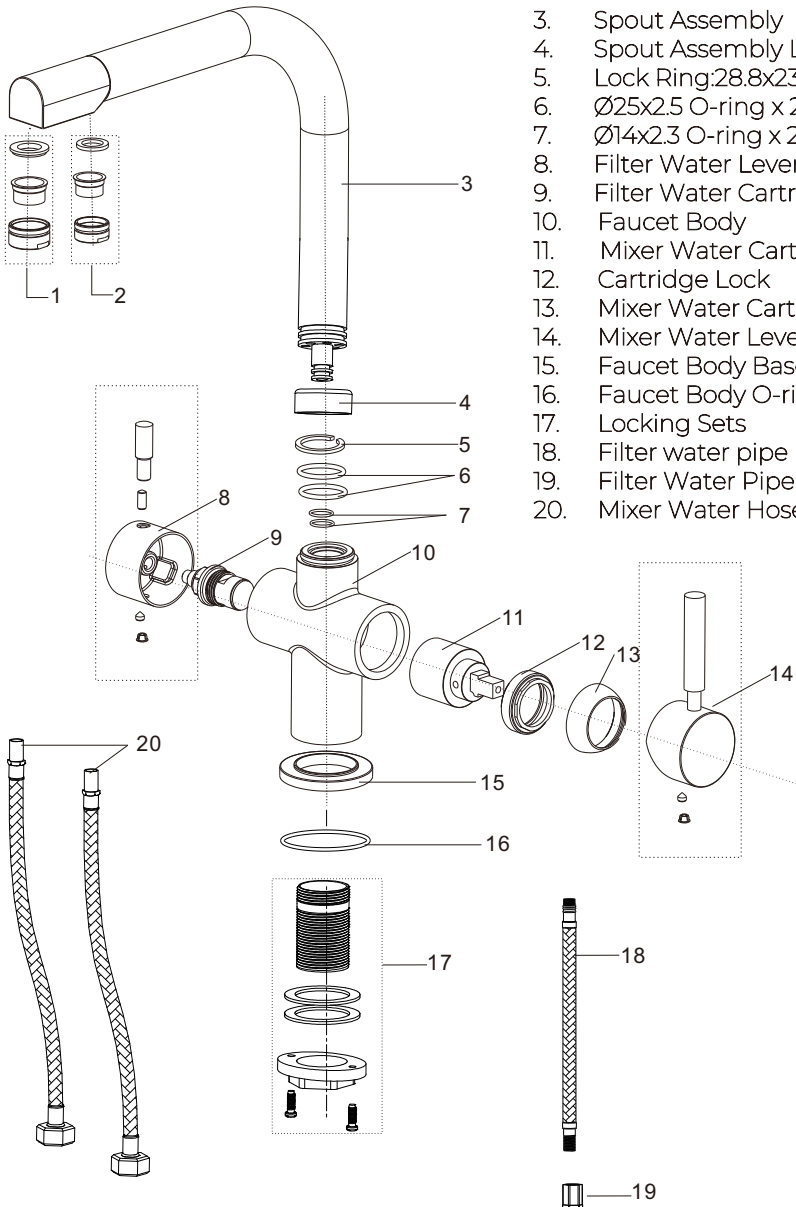


### Accessories

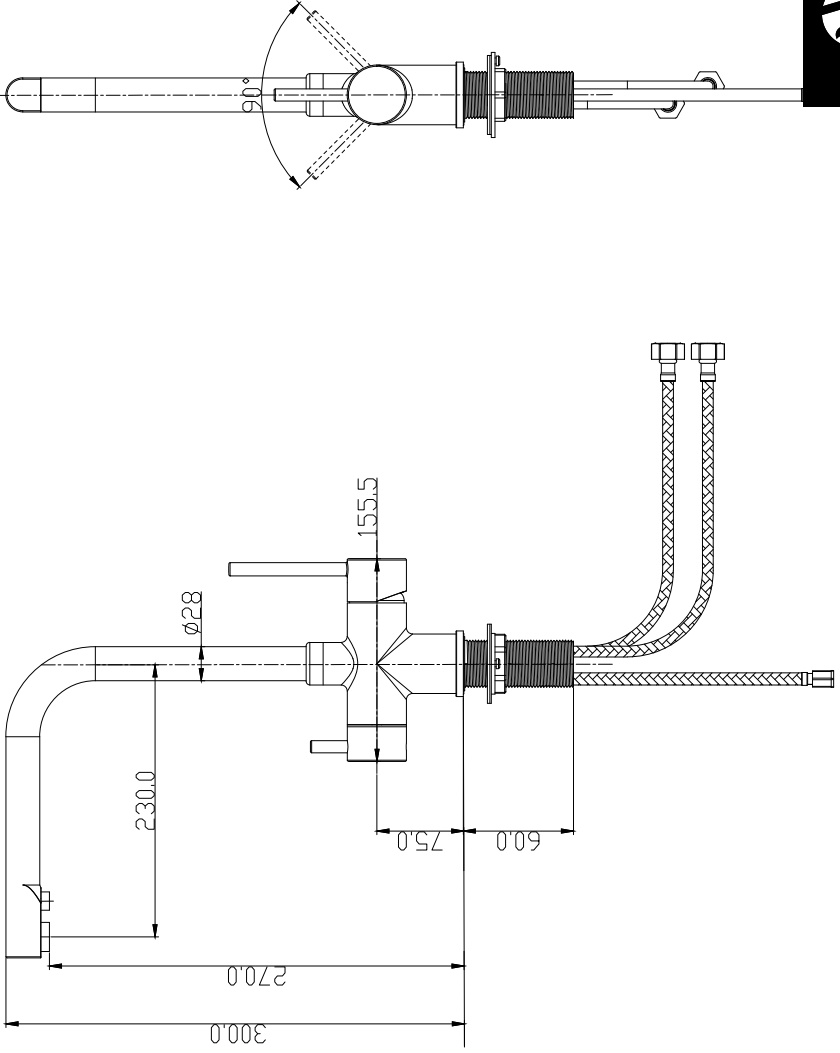
1. 1 Pc lock bolt
2. 1 pc rubber gasket
3. 1 Pc metal gasket
4. 1 Pc lock nut
5. 2 Pcs of fixing screws
6. 1 set filtered water pipe and a plastic adapter (1/4" push fit)
7. 2 Pcs hot and cold 600mm hoses

# Replacement Parts

1. Mixer Water Bubbles
2. Filter Water Bubbles
3. Spout Assembly
4. Spout Assembly Lock Cover
5. Lock Ring:28.8x23x2mm
6. Ø25x2.5 O-ring x 2
7. Ø14x2.3 O-ring x 2
8. Filter Water Lever Set
9. Filter Water Cartridge
10. Faucet Body
11. Mixer Water Cartridge
12. Cartridge Lock
13. Mixer Water Cartridge Cover
14. Mixer Water Lever set
15. Faucet Body Base
16. Faucet Body O-ring Ø47x3
17. Locking Sets
18. Filter water pipe
19. Filter Water Pipe plastic Adapter
20. Mixer Water Hoses

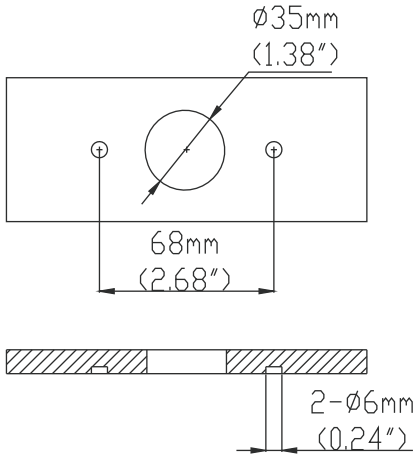


# Profile Drawing



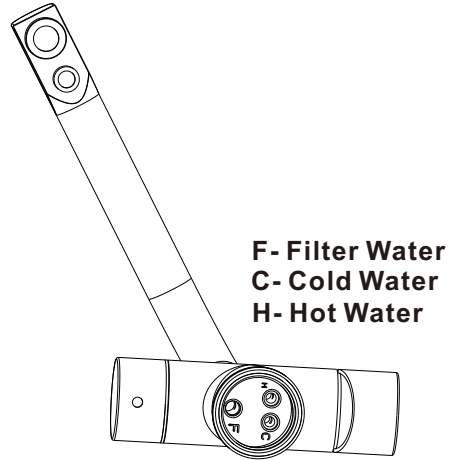
## Important Note 1

You do not need to drill any holes, the illustration below demonstrate measurements of the lock nut screws



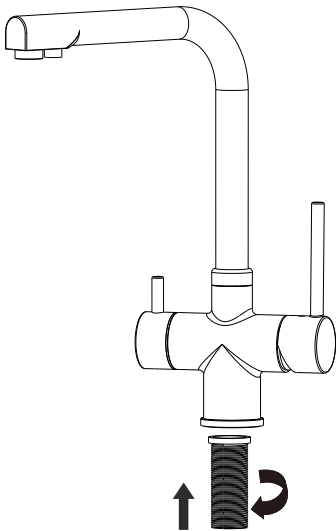
## Important Note 2

Please ensure the tap hoses are attached to the correct positions as marked below.



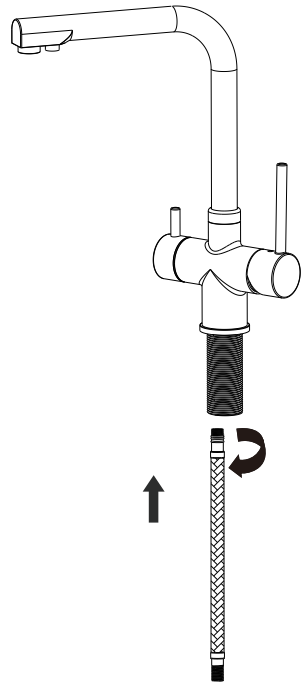
## Step: 1

Attach the lock bolt to the tap



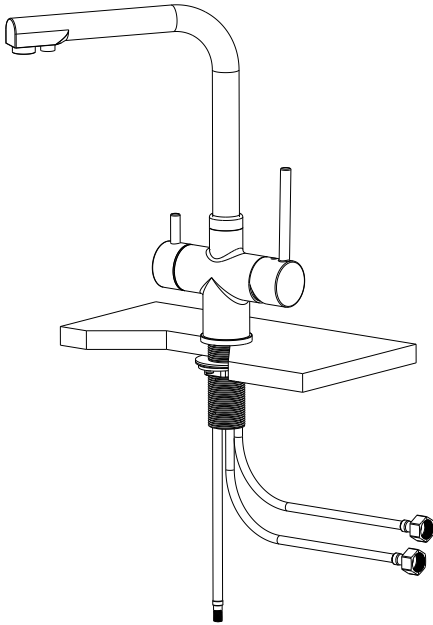
## Step: 2

Attach the filter water hose



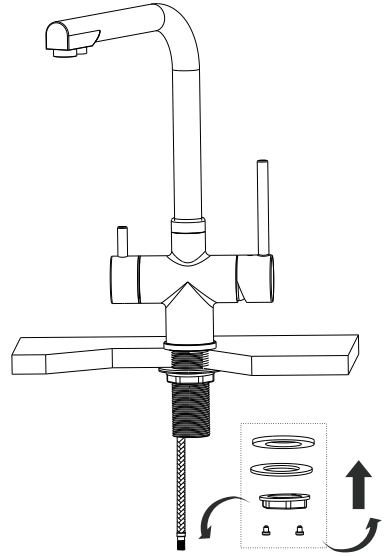
### Step: 3

Attach the Hot and Cold hoses

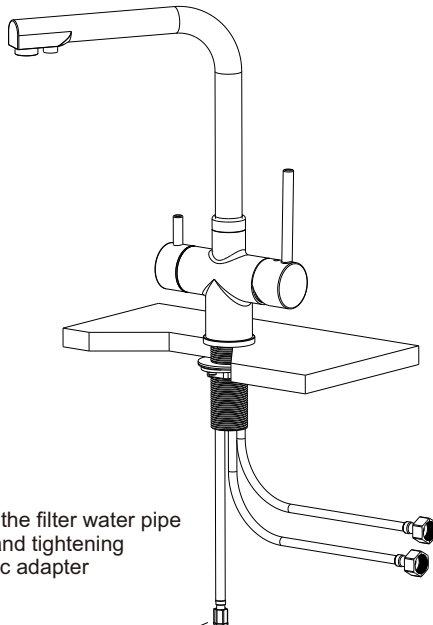


### Step: 4

Insert the tap with the tubes attached through the hole and attach the rubber gasket, metal gasket and lock nut to the lock bolt



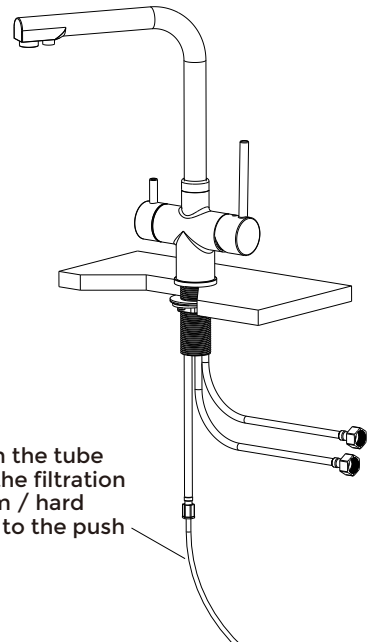
### Step: 5



Lock the filter water pipe by hand tightening plastic adapter

Attach the fitting to the pipe if it's not already attached

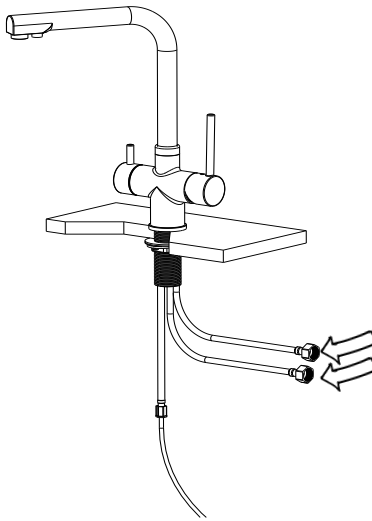
### Step: 6



Attach the tube from the filtration system / hard water to the push fit

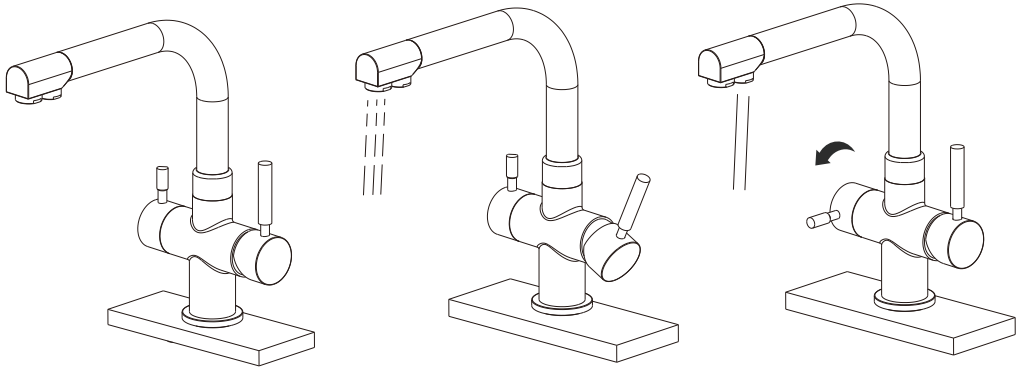
## **Step: 7**

Connect the Hot & Cold Hoses to the supply water



## **Step: 8**

Test the your Hommix Berta to ensure it is dispensing water

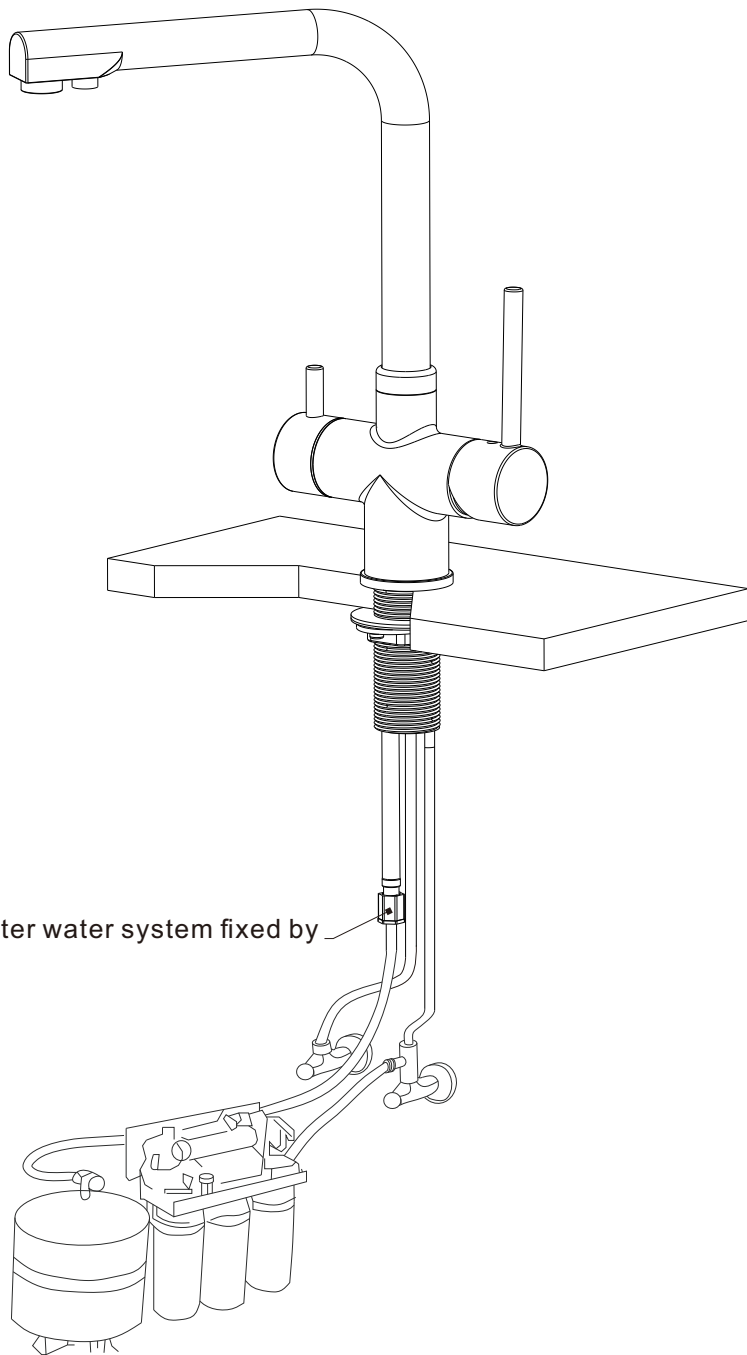


## **Important Note 3**

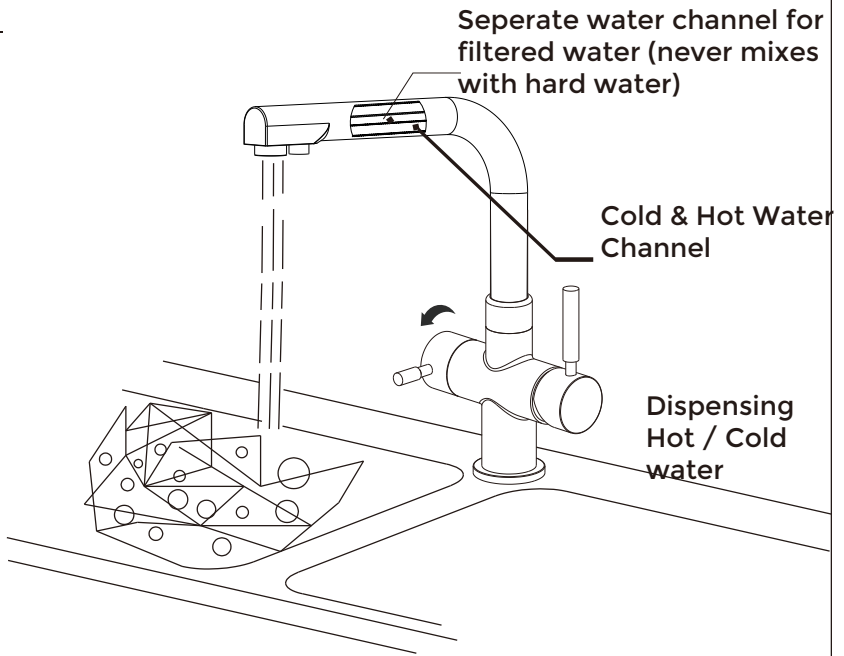
Please ensure any sand, silt, rubbles or anything that may block the valve cartridge and aerator is removed and cleaned before fixing the tap. During construction, the water pipes often end up with these, please ensure it is cleaned before connecting the hoses to the hot and cold.



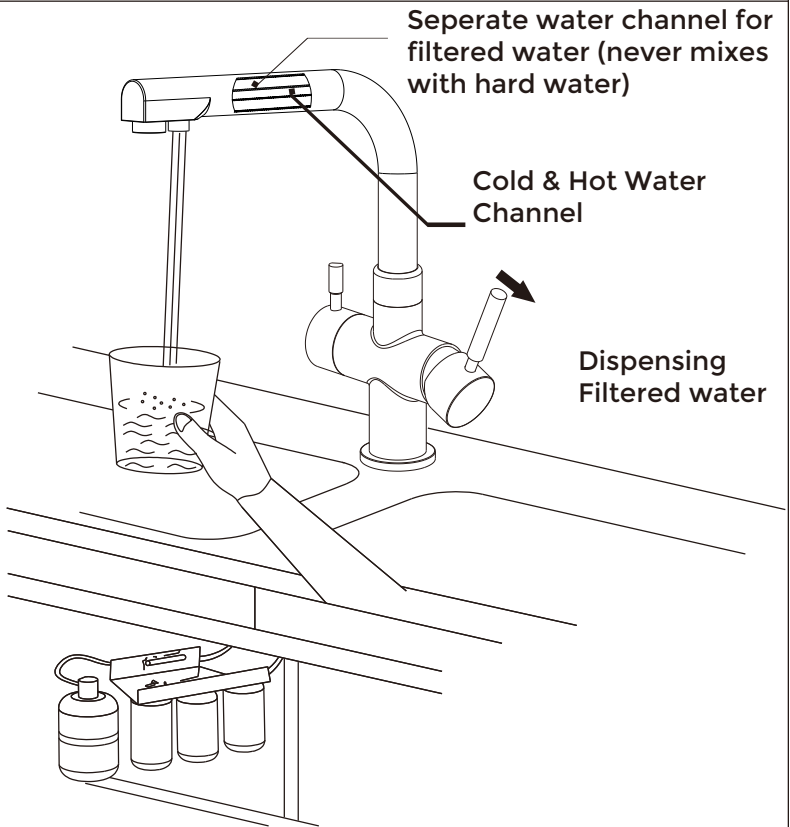
# Illustration of a Reverse Osmosis System connected to the Hommix Berta 3-Way Tap



## Information 1



## Information 2





## **Taking care of your tap**

Your Hommix Verona 3-Way Tap requires minimal care and maintenance but here are a few tips:

### **DON'Ts**

DON'T use cleaning products, chemicals or any other types of substances to clean the tap

DON'T use organic solvents or acidic cleaners, lime-scale removers, household vinegar or cleaners containing acetic acid for cleaning

DON'T use any sort of brushes or abrasive sponges and scrubs

### **DOs**

DO dry the tap after washing up with a dry soft cloth (we advise this for cleaning your sink too)

DO use a soft damp cloth followed by a dry soft cloth to clean if the tap requires cleaning

That's all! We did say minimal care and maintenance. If you have any questions or need help with installation, please do not hesitate to contact us.

Live Chat - <https://www.hommix.co.uk>

Call us - 0330 113 9292

Email us - [info@hommix.co.uk](mailto:info@hommix.co.uk)

