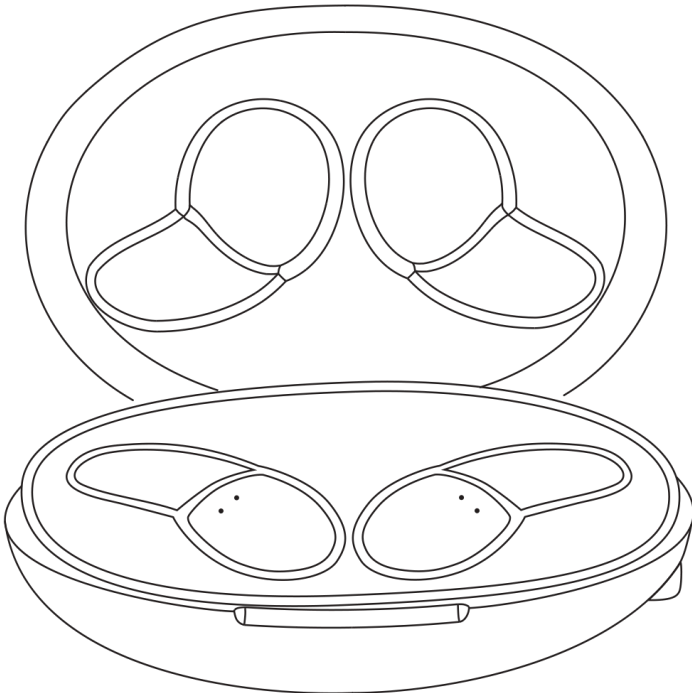
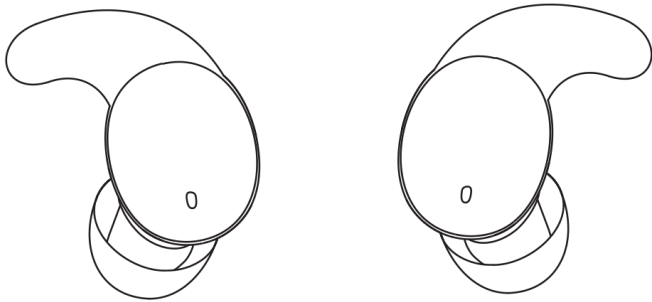


# SG MINI

## USER MANUAL



# IMPORTANT SAFETY INSTRUCTIONS

---

**Please read and keep all safety, security, and use instructions.**

## **WARNINGS/CAUTIONS**

Please follow these instructions to ensure safe operation:

1. Do not put the earbuds in the water or any other liquid as they are not waterproof.
2. Do not make unauthorized alterations to this product.
3. Do not try to repair the product yourself by opening it, as this may result in injury or damage to the product.
4. Keep the earbuds away from fire and heat sources, such as radiators, heating equipment, and stoves.
5. Use only charging devices that are rated and marked with 5V or less to avoid damage to the earbuds.
6. To prevent hearing issues, adjust the sound to a comfortable, moderate volume level and do not use the earbuds at a high volume for an extended period.
7. Remove earbuds immediately if you experience a warming sensation or loss of audio.
8. If you require assistance with the product, please contact our customer service team.

# REGULATORY INFORMATION

---

This device contains licence-exempt transmitter(s)/receiver(s) that comply with Innovation, Science and Economic Development Canada's licence-exempt RSS(s). Operation is subject to the following two conditions:

- (1) This device may not cause interference.
- (2) This device must accept any interference, including interference that may cause undesired operation of the device.

IC: 30843-SGMINI

# TABLE OF CONTENTS

---

<b>Getting started</b>	<b>5</b>
UNPACKING	5
COMPONENTS	5
<b>Power</b>	<b>6</b>
BATTERY	6
CHARGING	6
POWERING ON/OFF	6
<b>Basic operations</b>	<b>7</b>
PAIRING YOUR DEVICE	7
DISCONNECTING YOUR DEVICE	7
RECONNECTING YOUR DEVICE	7
<b>Other operations</b>	<b>8</b>
RESET	8
<b>Functions</b>	<b>9</b>
<b>Specifications</b>	<b>10</b>
<b>Warranty and customer support</b>	<b>10</b>

# GETTING STARTED

---

## UNPACKING

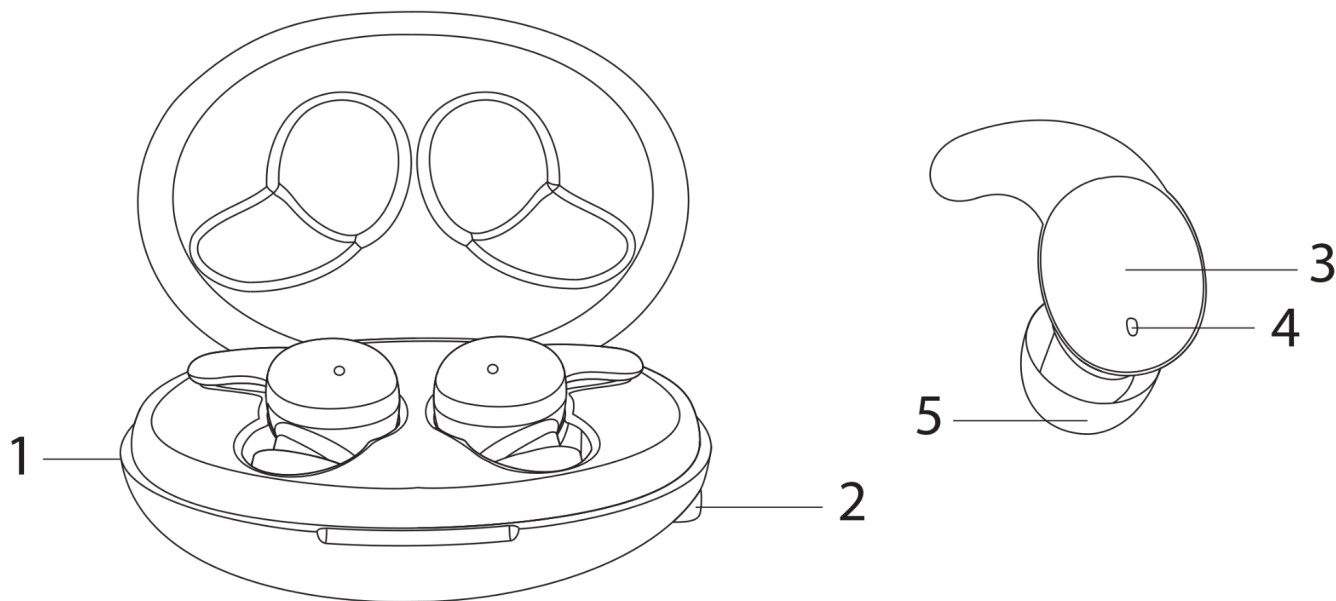
Carefully unpack the box and confirm that the following items are included and not damaged.

- 2 SG Mini wireless earbuds (fitted with medium-sized ear tips)
- Charging case
- Silicone ear tips (1 extra set of medium, 2 sets of small)
- User manual

Please note that **the USB-C cable is not included**. We encourage you to reuse your existing USB-C cable to charge your earbuds.

## COMPONENTS

1. Case's LED indicator light
2. USB-C charging port
3. Touch surface
4. Earbud's LED indicator light
5. Silicone ear tip



# POWER

---

## BATTERY

The charging case and the earbuds contain rechargeable lithium-ion batteries, which have a limited number of charge cycles that may vary depending on usage and settings. To ensure the longevity of the batteries in both the charging case and the earbuds, follow these instructions:

1. Use a power source with a maximum power of 5W to 10W.
2. Avoid "fast chargers".
3. Avoid letting them discharge for too long. Recharge them at least once a month even if they are not in use.
4. Avoid overcharging by unplugging the case when fully charged, which is when the case's red light stops blinking and stays on.
5. Avoid repeatedly opening and closing the case.

## CHARGING

To recharge the case, connect it to a power source using a USB-C cable (not included). The case's LED light blinks red when charging and stays on when fully charged. Charging takes about 1.5 hours from 0%.

To recharge earbuds, place them in the case, press them down gently and close the case fully. Allow approximately 1.5 hours for the earbuds to fully charge from 0%.

## POWERING ON/OFF

Power on: Either take both earbuds out of the charging case or press and hold the left and right earbuds simultaneously for 2 seconds.

Power off: Either place both earbuds back in the charging case or press and hold either the left or right earbud for 5 seconds.

# BASIC OPERATIONS

---

## PAIRING YOUR DEVICE

1. Go to the Bluetooth settings on your device.
2. Take both earbuds out of the charging case and put them in your ears to activate pairing mode.
3. On your device, select "SG Mini" from the list of available devices.

**Note:** The SG Mini can only be connected to one Bluetooth device within the same range at a time. To connect to another device within the same range, you must either disable Bluetooth on the current device or disconnect the SG Mini from it.

## DISCONNECTING YOUR DEVICE

You can disable Bluetooth on your device or find the SG Mini in the list of connected devices and disconnect them.

## RECONNECTING YOUR DEVICE

If your Bluetooth device supports automatic reconnection, the SG Mini will automatically reconnect next time you power them on. If your device does not support automatic reconnection, you will need to manually reconnect the SG Mini in your device's Bluetooth settings.

# OTHER OPERATIONS

---

## GAMING MODE

To enter gaming mode (low latency), quickly tap 4 times on either the right or left earbud. Repeat the same action to exit gaming mode.

**Note:** The gaming mode reduces audio latency over Bluetooth, but requires lossy compression, which can reduce audio quality.

## RESET

If a technical problem occurs, place the earbuds in your ears and tap 5 times on the right or left earbud to reset the earbuds.

## DISABLE TOUCH FUNCTIONS

To disable or enable the touch functions, tap either the right or left earbud six times.



# FUNCTIONS

---

## **Calls**

To answer, double-tap either the right or left earbud.

To hang-up, double-tap either the right or left earbud.

To decline a call, press and hold the right or left earbud for one second.

## **Voice assistant**

To activate the voice assistant, triple-tap either the right or left earbud.

## **Music**

To play/pause music, double-tap either the right or left earbud.

To go to the previous song, press and hold the left earbud for one second.

To skip to the next song, press and hold the right earbud for one second.

## **Volume control**

To increase the volume one step, tap once on the right earbud.

To decrease the volume one step, tap once on the left earbud.

# SPECIFICATIONS

---

## Earbuds

- Bluetooth version: 5.3
- Transmission distance: Up to 10 m
- Waterproof rating: IPX4
- Codecs: SBC / AAC
- Driver size:  $\varnothing$ 6 mm
- Frequency response: 20 HZ - 20 KHz
- Impedance: 16  $\Omega$
- Sensitivity: 106  $\pm$  3 dB
- Music play time: up to 5 hours at 50% volume
- On call time: up to 4 hours
- Charge time: 1.5 hours from empty
- Battery capacity: 30 mAh (x2)
- Input: 5.0 V  $\equiv$  30 mA

## Charging case

- Charging port: USB-C
- Charge time: 1.5 hours from empty
- Battery voltage: 3.7 V
- Battery capacity: 230 mAh
- Input: 5.0 V  $\equiv$  300 mA

# WARRANTY AND CUSTOMER SUPPORT

---

Your earbuds are covered by a 1-year durability warranty. You can find additional information about the warranty by visiting our website.

If you need assistance with the product, please visit the Help Center on our website, or simply scan the QR code below. You will find answers to some common questions as well as step-by-step instructions.

If you need further assistance, please contact our customer service team via email at [hello@soundsgood.ca](mailto:hello@soundsgood.ca).

