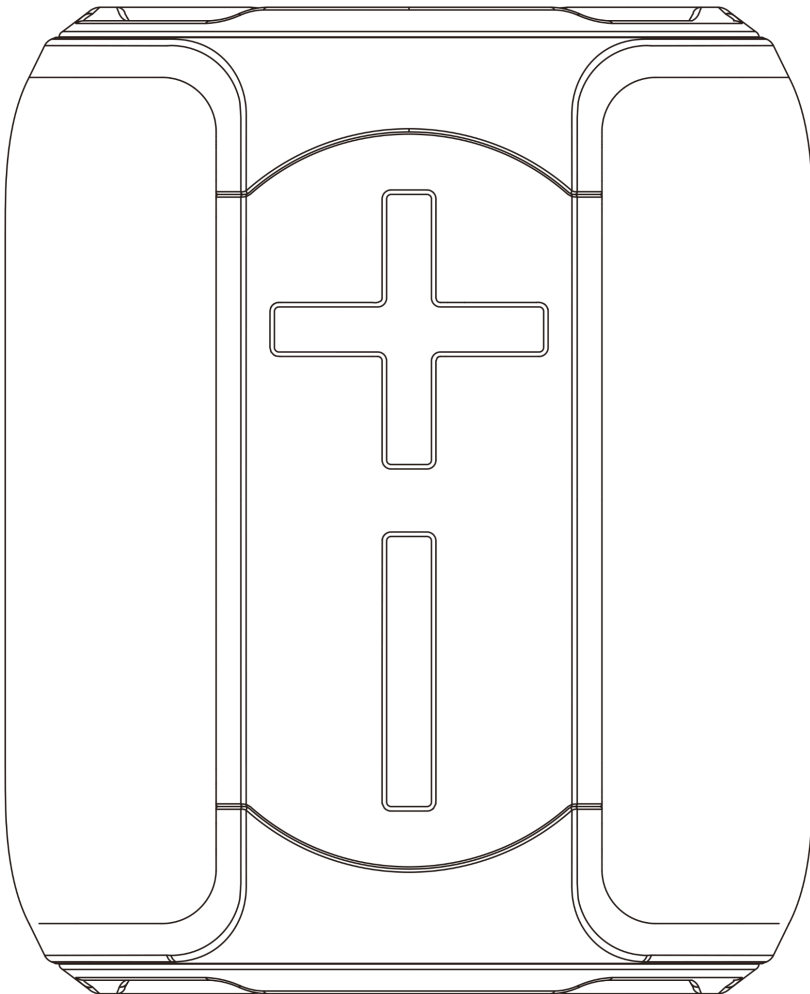


# SG BALADE

## USER MANUAL



# IMPORTANT SAFETY INSTRUCTIONS

---

**Please read and keep all safety, security, and use instructions.**

## **WARNINGS/CAUTIONS**

Please follow these instructions to ensure safe operation:

1. Place the speaker on a stable surface to prevent it from falling and causing damage.
2. Do not drop, disassemble, open, crush, bend, puncture, or burn the speaker.
3. Do not try to repair the product yourself by opening it, as this may result in injury or damage to the product.
4. Keep the speaker away from fire and heat sources, such as radiators, heating equipment, and stoves.
5. Use only charging devices that are rated and marked with 5V or less to avoid damage to the speaker.
6. Before cleaning the outer surface of the speaker, ensure that it is turned off and unplugged.
7. To prevent hearing issues, please adjust the sound to a comfortable level.
8. If you require assistance with the product, please contact our customer service team.

# REGULATORY INFORMATION

---

## NOTE

This equipment has been tested and found to comply with the limits for a Class B digital device, pursuant to Part 15 of the FCC Rules. These limits are designed to provide reasonable protection against harmful interference in a residential installation. This equipment generates, uses, and can radiate radio frequency energy, and if not installed and used in accordance with the instructions, it may cause harmful interference to radio communications. However, there is no guarantee that interference will not occur in a particular installation. If this equipment does cause harmful interference to radio or television reception, which can be determined by turning the equipment off and on, the user is encouraged to try to correct the interference by one or more of the following measures:

- Reorient or relocate the receiving antenna.
- Increase the separation between the equipment and receiver.
- Connect the equipment into an outlet on a circuit different from that to which the receiver is.
- Consult the dealer or an experienced radio/TV technician for help.

Changes or modifications not expressly approved by Sounds Good could void the user's authority to operate the equipment.

This device complies with part 15 of the FCC Rules. Operation is subject to the following two conditions: (1) This device may not cause harmful interference, and (2) this device must accept any interference received, including interference that may cause undesired operation.

This device complies with FCC radiation exposure limits set forth for general population. This equipment should be installed and operated with a minimum distance of 20 cm between radiator and your body. This transmitter must not be co-located or operating in conjunction with any other antenna or transmitter.

IC: 29119-SGBALADE

FCC ID: 2AL7B-OZE100

# TABLE OF CONTENTS

---

|                                      |           |
|--------------------------------------|-----------|
| <b>Getting started</b>               | <b>5</b>  |
| UNPACKING                            | 5         |
| PARTS AND FUNCTIONS                  | 5         |
| <b>Power</b>                         | <b>6</b>  |
| BATTERY                              | 6         |
| CHARGING                             | 6         |
| POWERING ON/OFF                      | 6         |
| AUTO POWER OFF                       | 6         |
| <b>Basic operations</b>              | <b>7</b>  |
| PAIRING YOUR DEVICE                  | 7         |
| DISCONNECTING YOUR DEVICE            | 7         |
| RECONNECTING YOUR DEVICE             | 7         |
| <b>Other operations</b>              | <b>8</b>  |
| PLAYING MODE                         | 8         |
| PLAYING MUSIC FROM A MICRO SD CARD   | 8         |
| PLAYING MUSIC FROM THE AUX INPUT     | 8         |
| BASS BOOST MODE                      | 8         |
| RESET                                | 8         |
| <b>Stereo pairing</b>                | <b>9</b>  |
| PAIRING TWO SG BALADE TOGETHER       | 9         |
| UNPAIRING TWO SG BALADE              | 9         |
| <b>Functions</b>                     | <b>10</b> |
| <b>Specifications</b>                | <b>10</b> |
| <b>Warranty and customer support</b> | <b>11</b> |

# GETTING STARTED

---

## UNPACKING

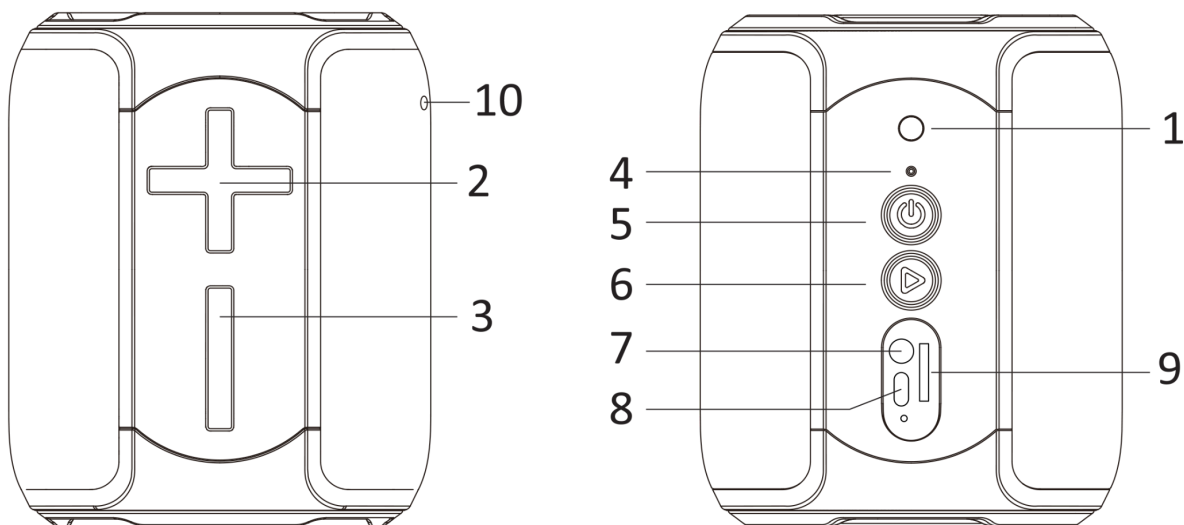
Carefully unpack the box and confirm that the following items are included and not damaged.

- SG Balade wireless speaker
- User manual

Please note that **the USB-C cable is not included**. We encourage you to use your existing USB-C cable to charge your speaker.

## PARTS AND FUNCTIONS

1. Lanyard
2. + button: increase the volume (press), next song (long press)
3. - button: decrease the volume (press), previous song (long press)
4. LED indicator light
5. Power button: power on/off (long press), switch the playing mode (press)
6. Play button: play, pause, answer call
7. AUX IN port
8. USB-C Type charging port
9. TF card slot (Micro SD)
10. Microphone



# POWER

---

## BATTERY

A built-in rechargeable battery powers the speaker. Rechargeable batteries have a limited number of charge cycles. Battery life and number of charge cycles vary based on settings and usage. Please charge your speaker at least once a month in order to prevent it from declining in performance.

## CHARGING

Connect a USB-C charging cable (not included) to your Bluetooth speaker's charge input, then connect the other end to a USB port on your computer or to a USB charger. Charging is indicated by a red LED. The LED turns off when fully charged. If you haven't used the speaker for 7 days, it is recommended to charge it for at least 10 minutes before powering it on. You can then use it while it's charging.

## POWERING ON/OFF

Power on: Hold the power button for 2 seconds to power on the speaker.

Power off: Hold the power button for 2 seconds to power off the speaker.

## AUTO POWER OFF

The speaker will automatically turn off after 20 minutes of inactivity.

# BASIC OPERATIONS

---

## PAIRING YOUR DEVICE

1. Go to the Bluetooth settings on your device.
2. Power on the speaker. The LED will flash white, meaning the speaker enters pairing mode.
3. On your device, select "SG Balade" from the list of available devices.
4. Upon successful connection, you will hear a sound and the LED will stop flashing.

**Note:** The SG Balade can only be connected to one Bluetooth device within the same range at a time. To connect to another device within the same range, you must either disable Bluetooth on the current device or disconnect the SG Balade from it.

## DISCONNECTING YOUR DEVICE

If connected via Bluetooth, double-press the power button to disconnect.

## RECONNECTING YOUR DEVICE

If your Bluetooth device supports automatic reconnection, the speaker will automatically reconnect next time you power it on. It will not automatically reconnect on devices that do not support automatic reconnection. Double-press the power button to connect it to the last connected device.

# OTHER OPERATIONS

---

## PLAYING MODE

Short press power button to switch between the following playing modes: BT, AUX, TF (Micro SD).

## PLAYING MUSIC FROM A MICRO SD CARD

Insert a micro SD card and power on the speaker. Set the playing mode to TF (Micro SD) and hit play.

## PLAYING MUSIC FROM THE AUX INPUT

Connect the speaker to your device using a 3.5 mm audio cable and power on the speaker. Set the playing mode to AUX and hit play.

## BASS BOOST MODE

The “Bass Boost” mode amplifies the bass output from the speaker. To activate or deactivate it, simultaneously press the + and - buttons.

## RESET

If a technical problem occurs, press and hold the ► button for 8 seconds to reset the speaker and turn it off.



# STEREO PAIRING

---

Enjoy an even more powerful and immersive stereo sound experience by pairing two SG Balade speakers together. With this feature, one SG Balade plays the left channel and the other plays the right channel.

## PAIRING TWO SG BALADE TOGETHER

1. Turn on both speakers.
2. Press and hold the ► button on one of the speakers for 3 to 5 seconds until you hear a “beep”. This will be the primary speaker.
3. Release the ► button. It can take a few more seconds before speakers connect to each other. L/R channels can be identified by their LED indicator on both speakers. The left channel is the primary speaker, and flashes white every three seconds. The right channel is the secondary speaker and its light is solid white.
4. Go to your device’s Bluetooth settings and select the speaker from the list to pair them. Only one speaker will be displayed as they are paired together and acting as one.

## UNPAIRING TWO SG BALADE

Press and hold the ► button on one of the speakers for 2 to 3 seconds until you hear a “beep”.

# FUNCTIONS

---

## Calls

To answer, press once on the ► button.

To hang-up, press once on the ► button.

To decline a call, hold down the ► button for 2 seconds.

To call back the last number in your call log, double-press the ► button.

## Voice assistant

To activate the voice assistant, simultaneously press the ► and power buttons.

## Music

To play/pause music, press once on the ► button.

To return to the previous song, long press the - button.

To go to the next song, long press the + button.

## Volume control

To increase the volume, short press the + button.

To decrease the volume, short press the - button.

# SPECIFICATIONS

---

- Speaker:  $\varnothing$ 45 mm 4  $\Omega$  8 W (x 2)
- Charge time: 6 to 7 hours from empty
- Input: 5.0 V  $\equiv$  1.0 A
- Waterproof rating: IPX7
- Bluetooth version: 5.0
- Built-in rechargeable lithium-ion battery: 3.7 V, 5000 mAh
- Playing time: up to 16 hours at 50% volume
- Product Size: 90 x 94 x 110 mm
- Bluetooth range: Up to 10 m

# WARRANTY AND CUSTOMER SUPPORT

---

Your speaker is covered by a 1-year durability warranty. You can find additional information about the warranty by visiting our website at [soundsgood.ca/en/pages/warranty-and-returns](https://soundsgood.ca/en/pages/warranty-and-returns).

If you need assistance with the product, please visit the Help Center on our website, or simply scan the QR code below. You will find answers to some common questions as well as step-by-step instructions.

If you need further assistance, please contact our customer service team via email at [hello@soundsgood.ca](mailto:hello@soundsgood.ca).

