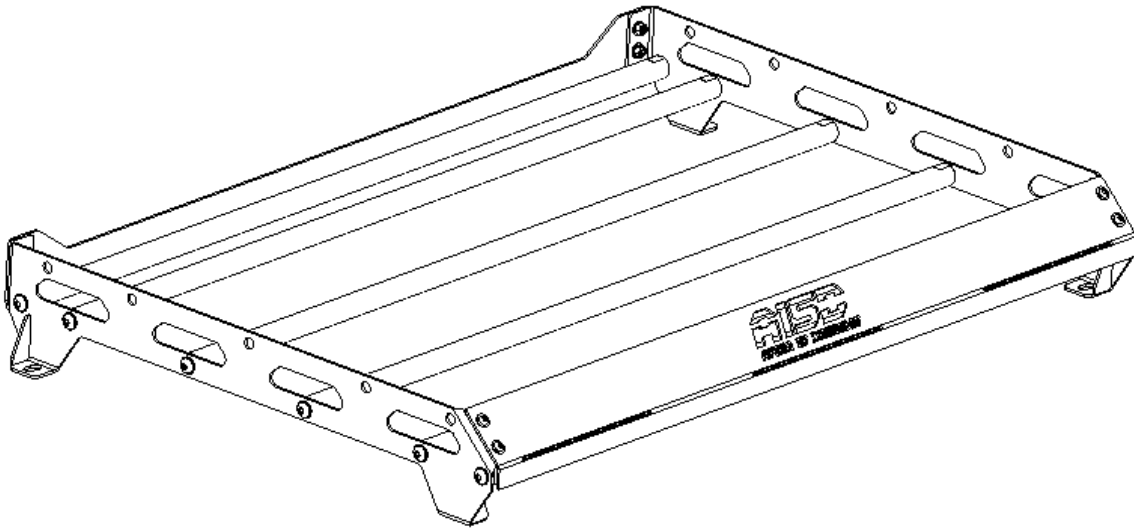


# ***AREA 15 DESIGNS***

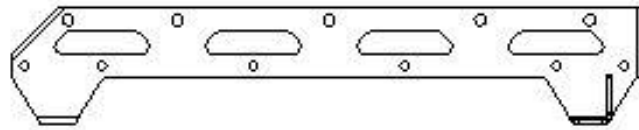
## **Honda Talon Roof Rack Assembly Instructions**



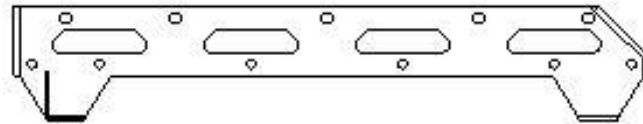
1x A15D-8-1



1x A15D-8-2



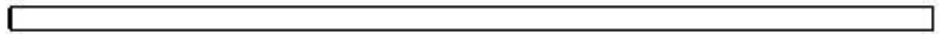
1x A15D-8-3



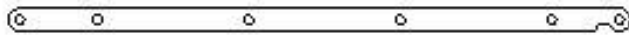
1x A15D-8-4



6x A15D-8-6



2x A15D-8-7



**Fastener List**

12x 3/8" x 7/8" Long SS Screw

8x 1/4 x 5/8" long SS Screw

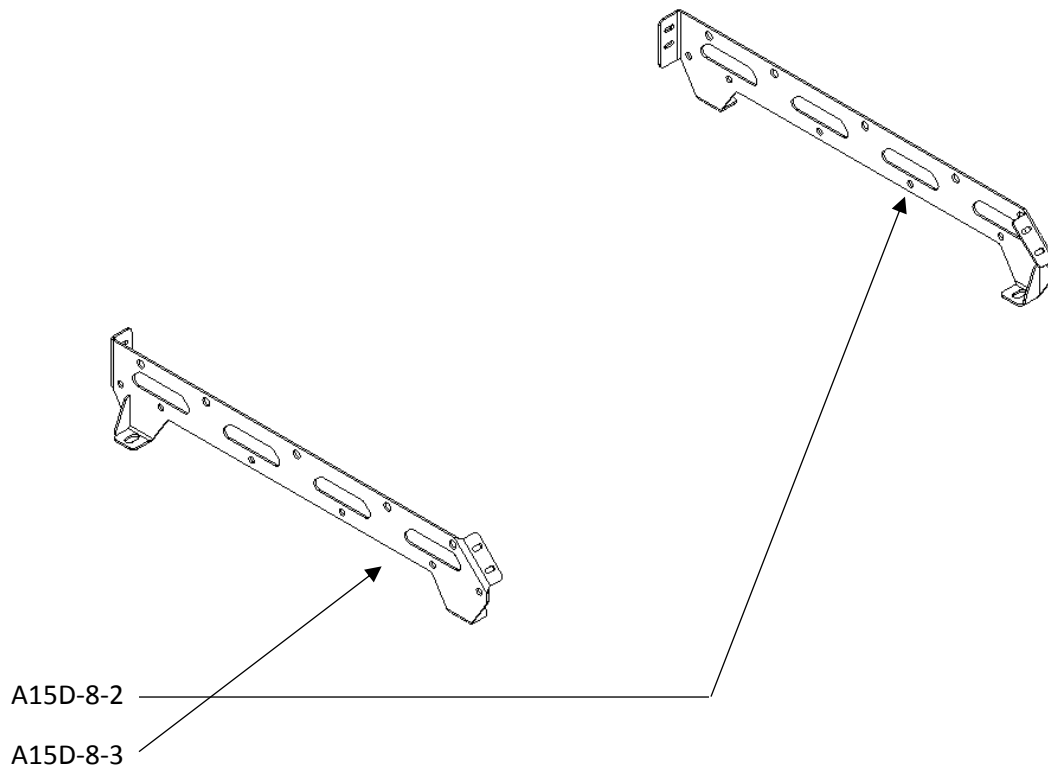
16x 1/4" SS Washer

8x 1/4" SS Lock Nut

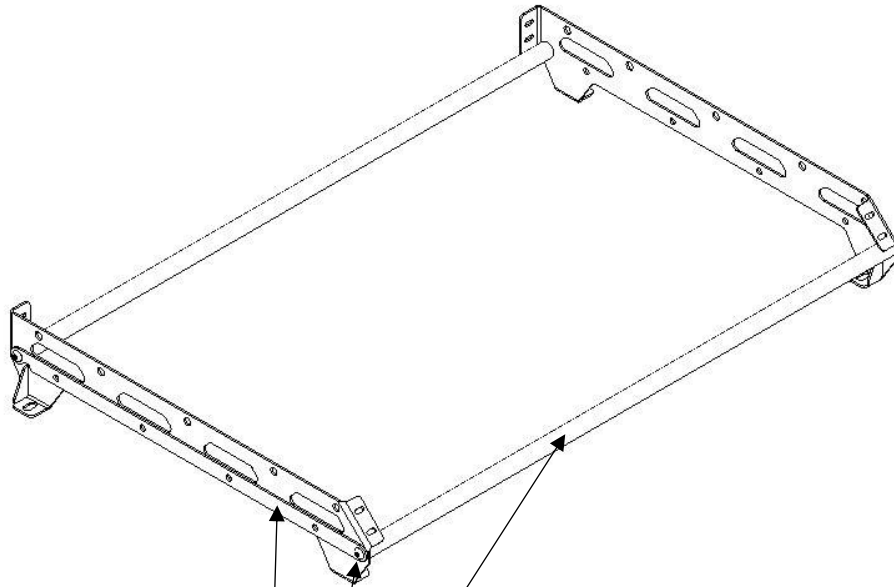
**IMPORTANT:** APPLY A SMALL AMOUNT OF ANTI-SEIZE TO THREADS ON STAINLESS HARDWEAR!!!

(YOU'VE BEEN WARNED :))

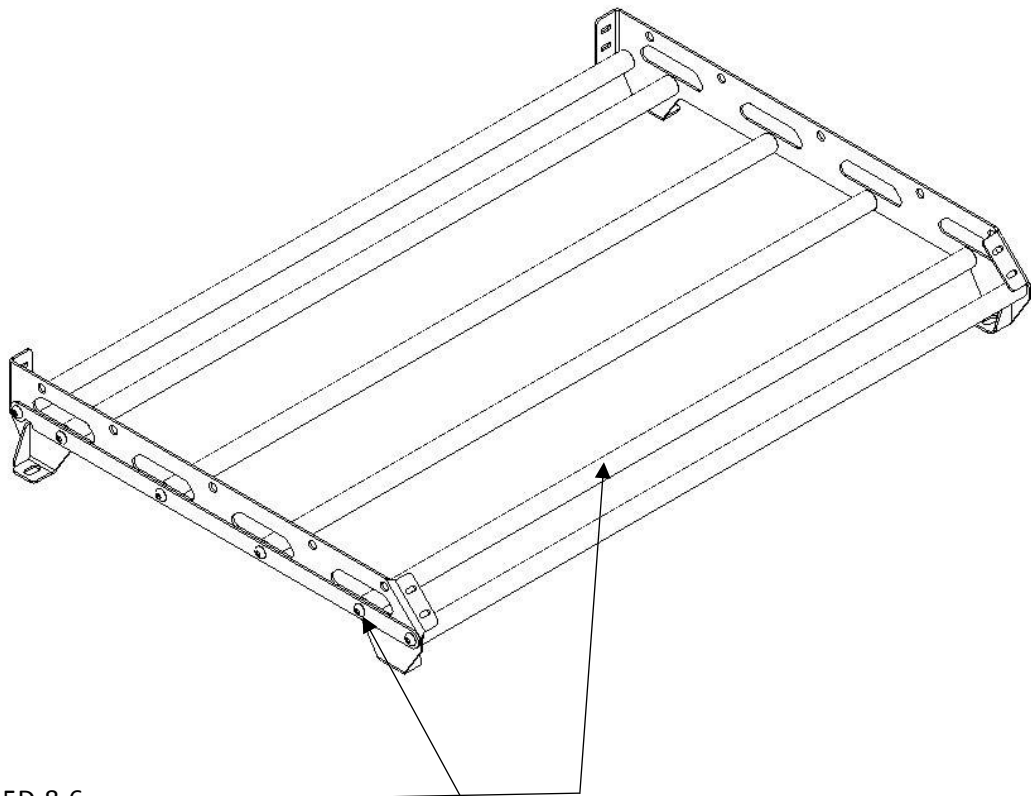
**1**



**2**

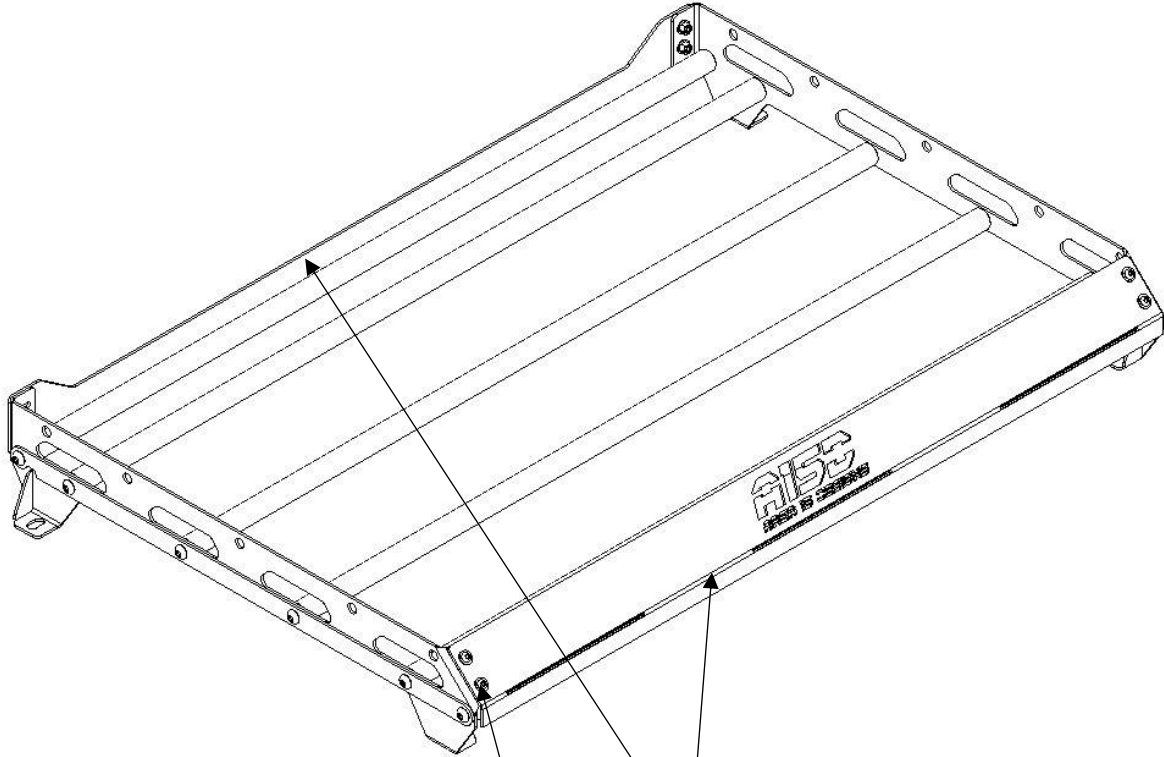


- 2x A15D-8-6
- 4x 3/8" x 7/8" Long SS Screw
- 4x 3/8" SS Washer
- 2x A15D-8-7



- 4x A15D-8-6
- 8x 92949A622 – 3/8" x 7/8" Long SS Screw
- 8x 90107A127 – 3/8" SS Washer

# 4



- 1x A15D-8-1
- 1x A15D-8-4
- 8x 92949A563 – ¼ x 5/8" long SS Screw
- 16x 90107A029 – ¼" SS Washer
- 8x 91831A120 – ¼" SS Lock Nut

# 5

Using stock hardware mount rack in factory roof mounting locations.

Check hardware regularly for loosening.