




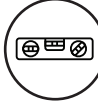







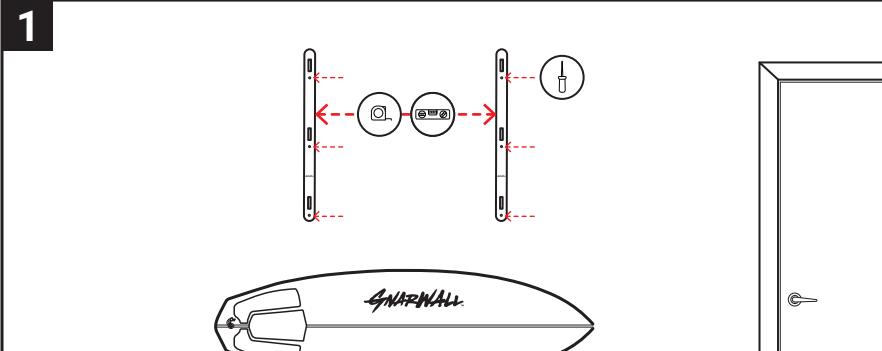
HORIZONTAL MULTI RACK (3 BOARD)

INSTALLATION INSTRUCTIONS

Toronto, ON, Canada
Rev Date: 2022-07-01

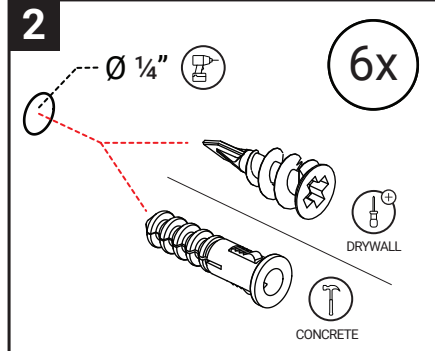
PARTS INCLUDED				RECOMMENDED TOOLS				
 2x	 6x	 6x EA	 6x					
RACK MOUNT	ARM	WALL PLUG	SCREW	TAPE MEASURE	LEVEL GAUGE	DRILL WITH 1/4" BIT	PHILLIPS #2 SCREWDRIVER	AWL

1



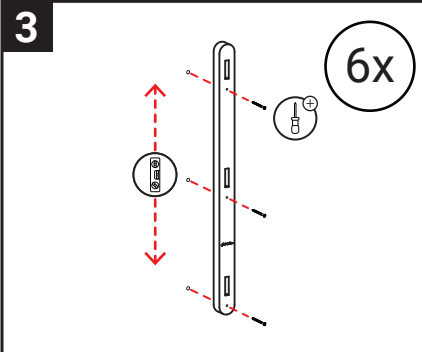
DETERMINE OPTIMAL LOCATION FOR RACK MOUNTS, THEN MAKE MARKS THROUGH THE SIX HOLES. ENSURE MARKS ARE AT THE SAME HEIGHT TO ENSURE LEVEL POSITION.

2



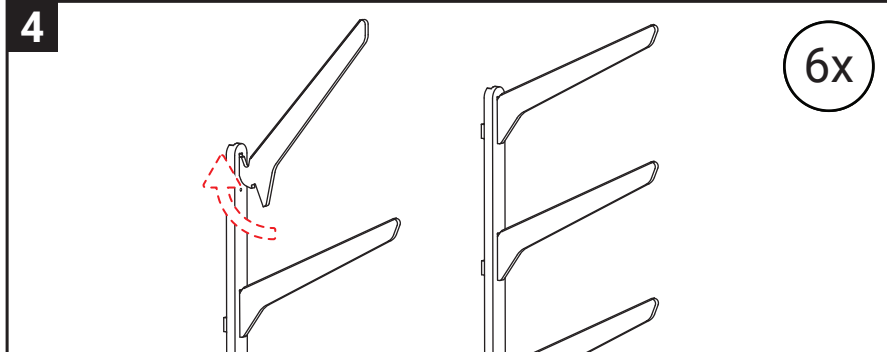
DRILL 1/4" HOLE THROUGH MARKS AND INSERT PLUG. USE HAMMER FOR CONCRETE OR SCREWDRIVER FOR DRYWALL.

3



SECURE MOUNTS WITH SUPPLIED SCREWS.

4



INSERT ARMS INTO SLOTS.

WALL HANGER INSTALLATION RECOMMENDATIONS

Mounting to wood: Use supplied or equivalent #8 x 2" stainless screw directly into stud or structurally stable solid wood (minimum 3/4" thick).

Mounting to structurally stable brick or concrete: Drill 1/4" hole with masonry drill bit. Install supplied wall plug, fasten #8 x 2" stainless screw.

DISCLAIMER: This product has been designed for a specific use, and is not intended to be used for purposes other than those expressly identified in the product's promotional materials. When installing and/or using this product, customers should strictly adhere to the product instructions (including, without limitation, all instructions pertaining to: product use, product hanging/fastening, product location, installation hardware specifications, and product accessories/fixtures). Without limiting the generality of the foregoing, customers should always be mindful of the surrounding construction and wall composition, and should adjust installation accordingly (pursuant to the product instructions). Customers should always inspect and test the product stability before use. SHEPP Industrial Design Inc. expressly disclaims any and all liability for any injuries or losses arising from the improper installation or use of the product, as well as any liability for any direct, indirect, punitive, incidental, special, consequential or other damages whatsoever, arising out of or connected with the use or misuse of the product.