

|      |                    |      |             |
|------|--------------------|------|-------------|
| 包装信息 | 型号: BA90           | 备注信息 | 左右对折        |
|      | 成品尺寸: 142.5*210MM  |      | 较V1.0版本增加了二 |
|      | 材质: 120g书纸, 折页     |      | 码           |
|      | 工艺: 单色印刷           |      |             |
|      | 版本号: V1.1-20230717 |      |             |

尺寸: 285×210mm

正面

背面

**maono** | GLOBAL BEST SELLING  
INTERNET MICROPHONE


# MICROPHONE BOOM ARM STAND

Instruction Manual






如需服务, 请扫描二维码

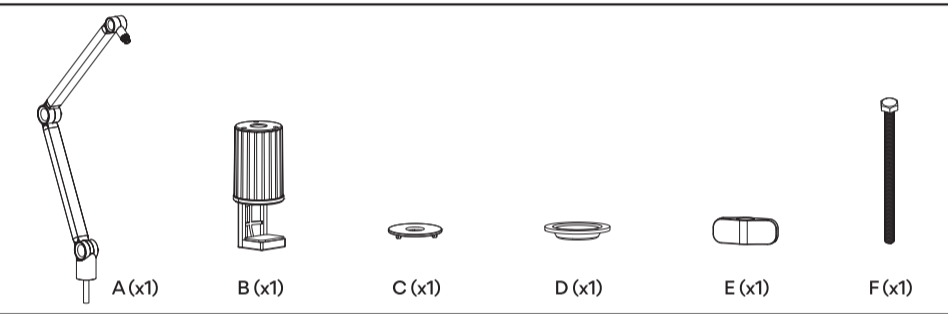


To get technical support, please scan the QR code

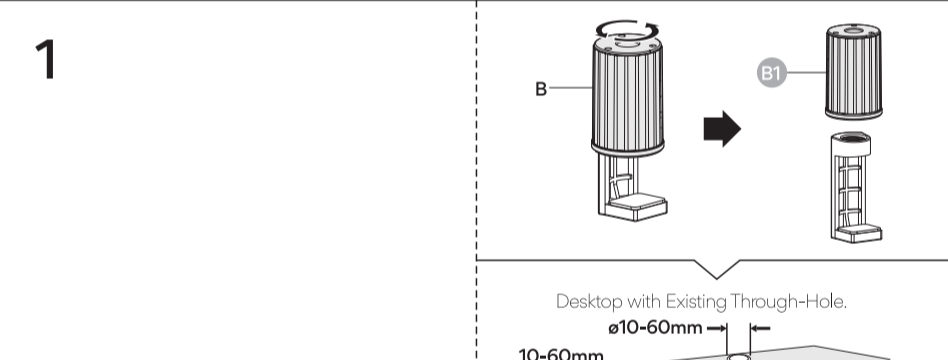
**BA90**



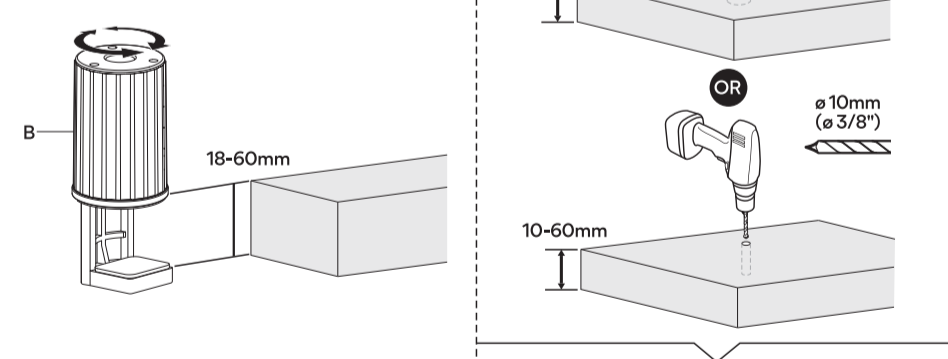
**1**



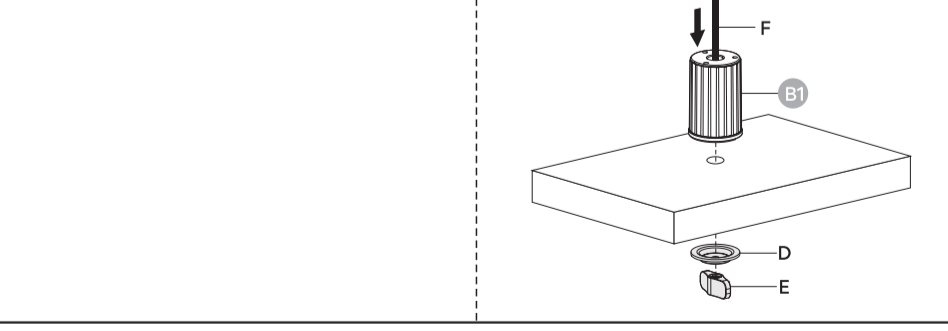
**2**



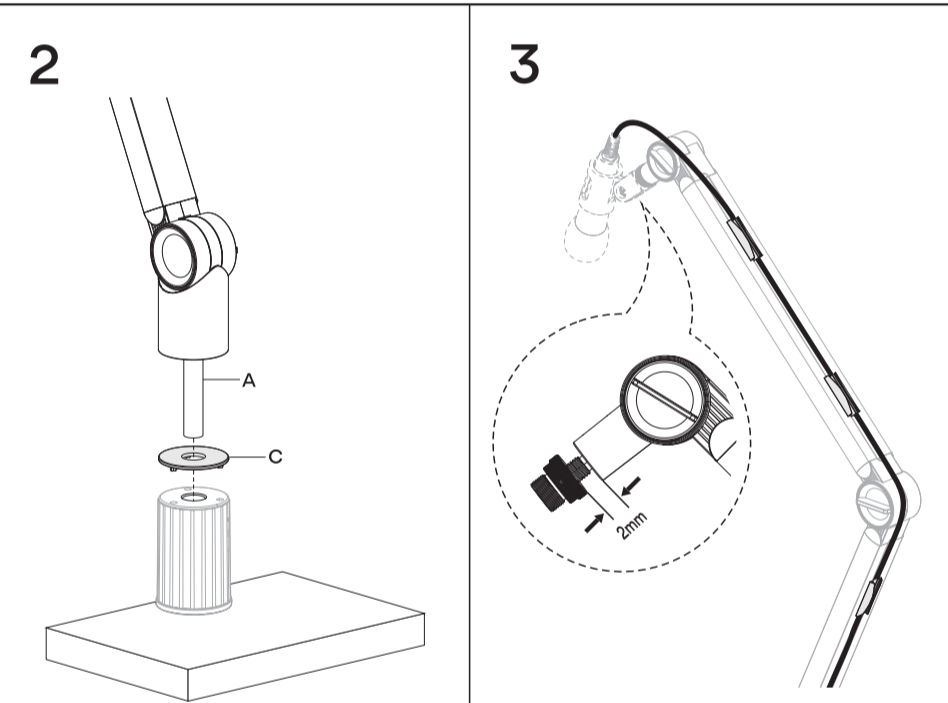
**3**



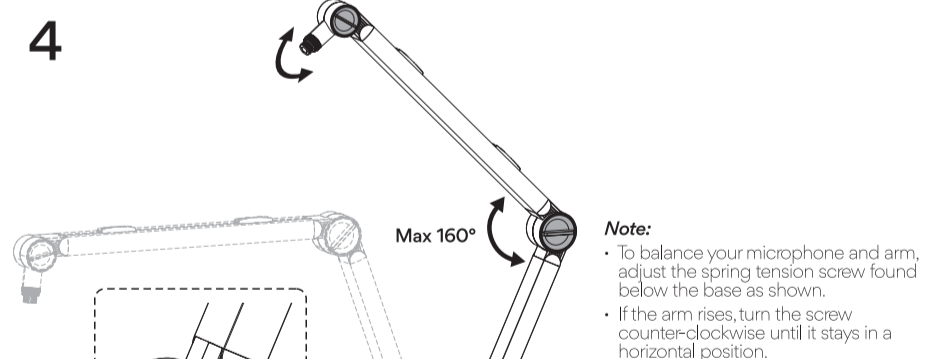
**4**



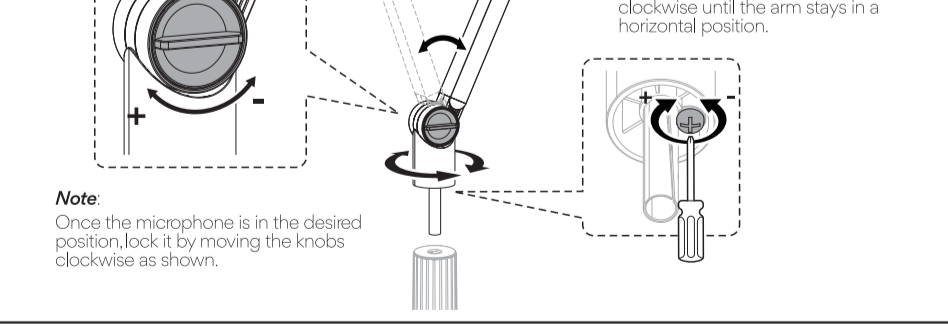
**2**



**3**



**4**



**Note:**

- To balance your microphone and arm, adjust the spring tension screw found below the base as shown.
- If the arm rises, turn the screw counter-clockwise until it stays in a horizontal position.
- If the arm drops, turn the screw clockwise until the arm stays in a horizontal position.

V11-20230717