

LOCKLY

MODEL 7S

INSTALLATION GUIDE

DEADBOLT EDITION



Go to [Lockly.com/installation](https://lockly.com/installation) to watch a video version of this installation guide.

OR

Download the BILT app from the App Store or on Google Play for step-by-step interactive 3-D walk-through installation instructions.

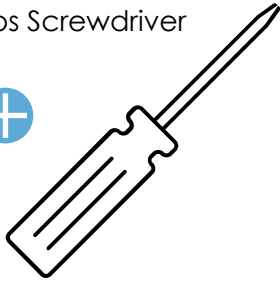
Welcome!

This guide will walk you through step-by-step how to install and get your Lockly up and running. Installation generally takes less than 30 minutes. If you have any questions please reference our online support at: [Lockly.com/support](https://lockly.com/support) or call (669) 500-8835 for help.

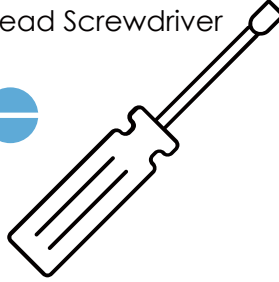
Preparation

To complete the installation you will need:

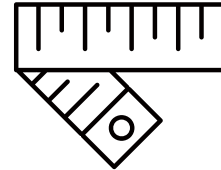
Phillips Screwdriver



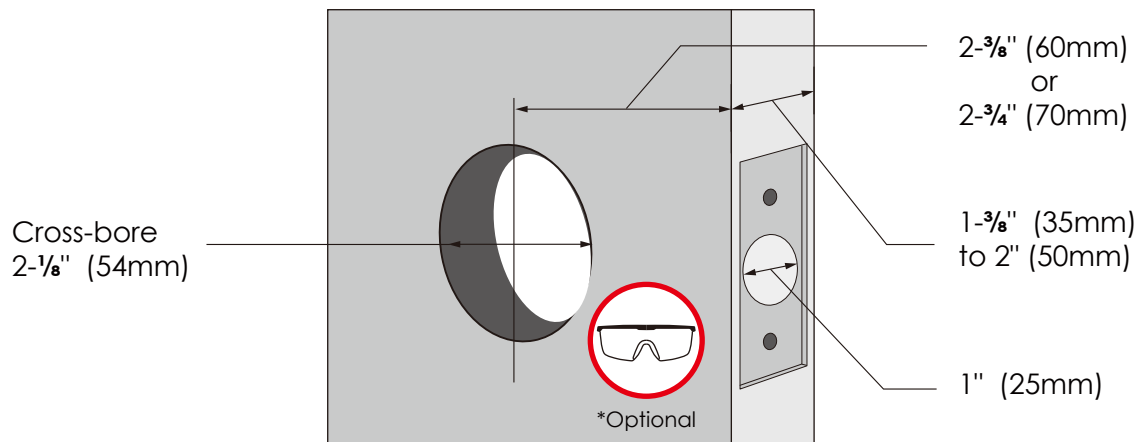
Flathead Screwdriver



Tape measure or ruler



Prepare door: remove existing deadbolt or use provided template to bore new holes.

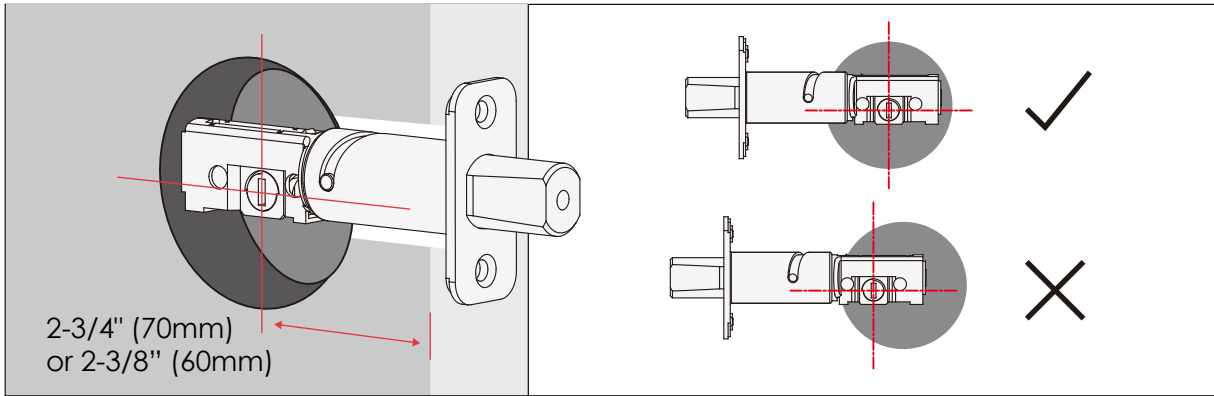


* Use goggles to protect eyes if you need to drill door holes.

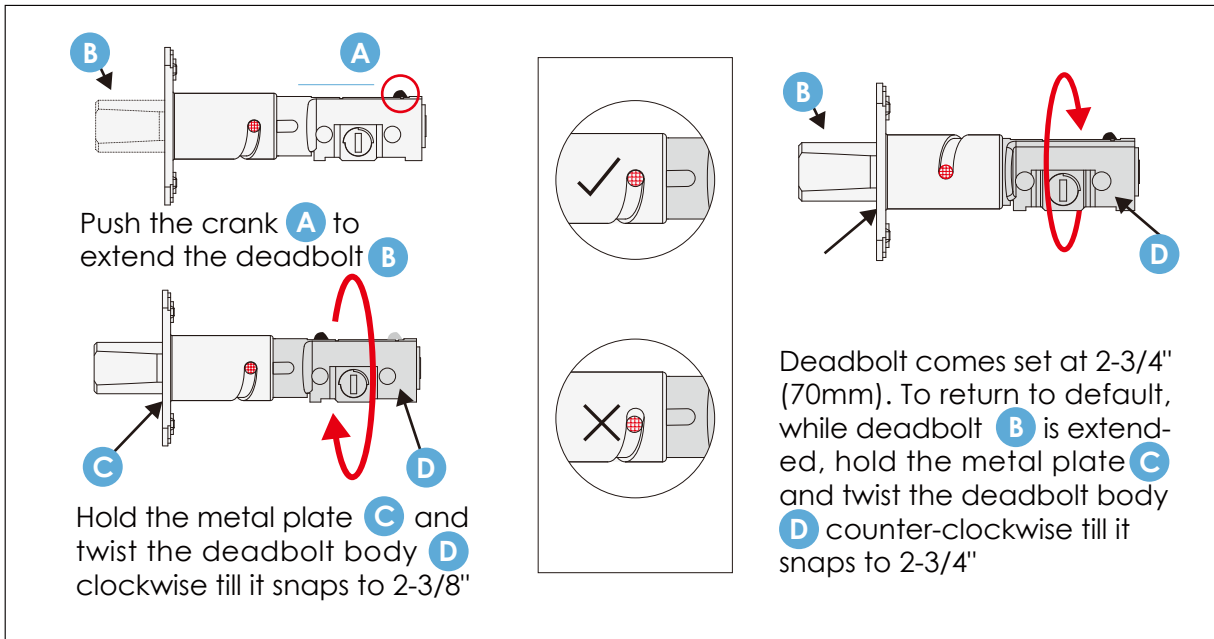
Step 1

ADJUST DEADBOLT AND INSTALL

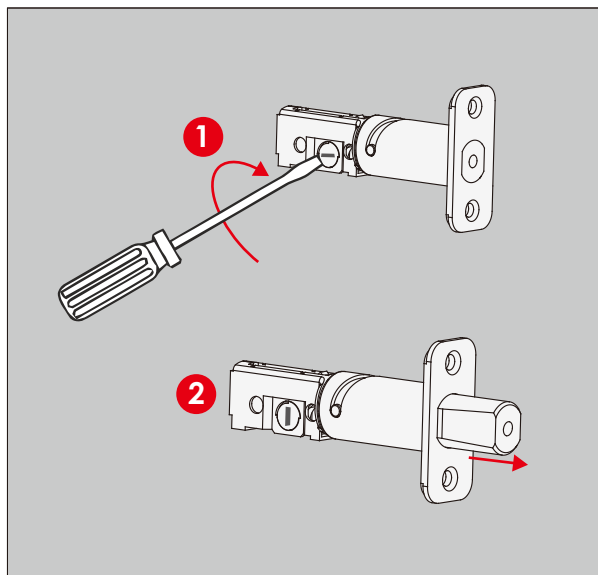
Deadbolt slot must align to the center of the door hole. Adjust as shown if needed.



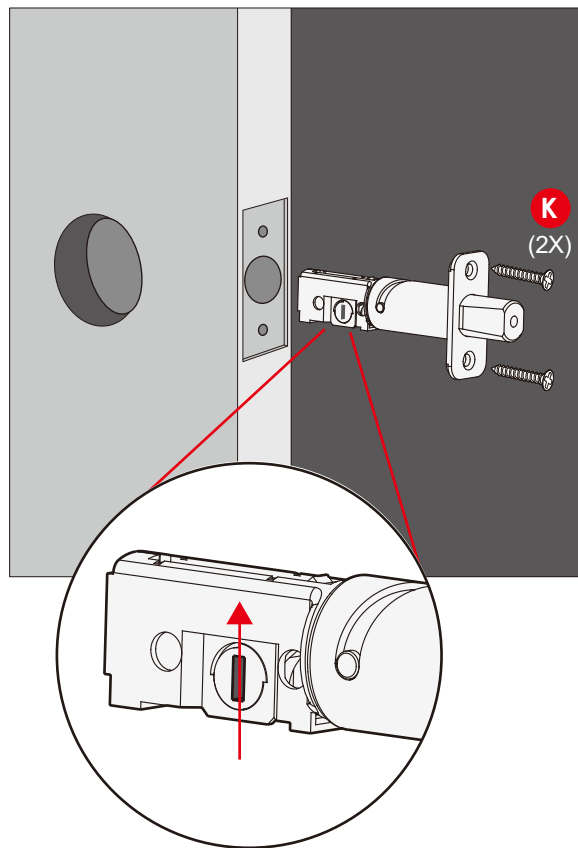
The deadbolt comes set to 2-3/4" (70mm). Adjust length to 2-3/8" (60mm) if necessary. (wear gloves to protect from possible pinching).



Extend the deadbolt by inserting a flat-head screwdriver into the slot and turning clockwise.



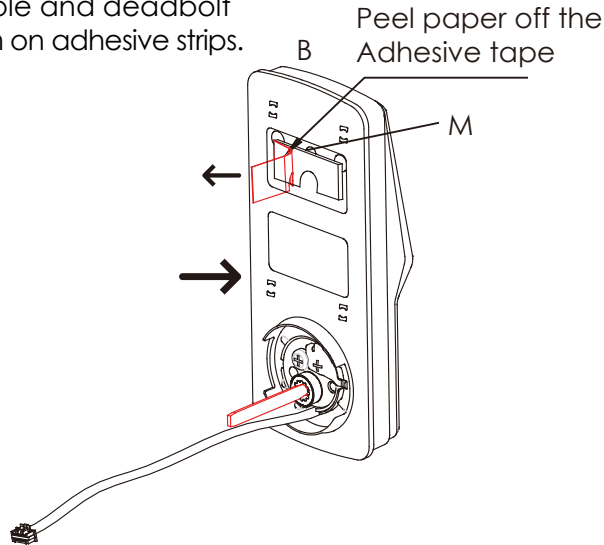
Insert the deadbolt into mortise flush with door edge, make sure that the right side is up and the slot is in the vertical position. Secure with 2 **K** screws.



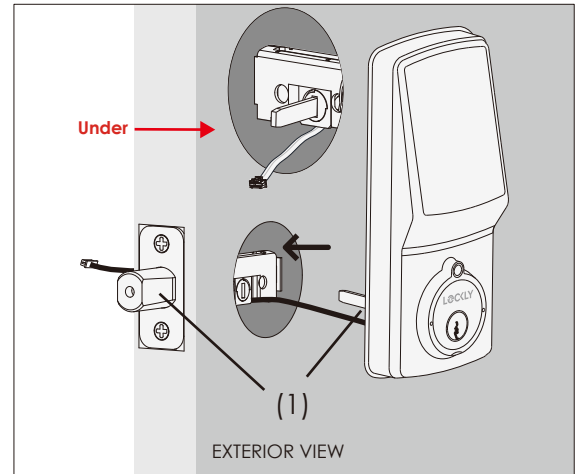
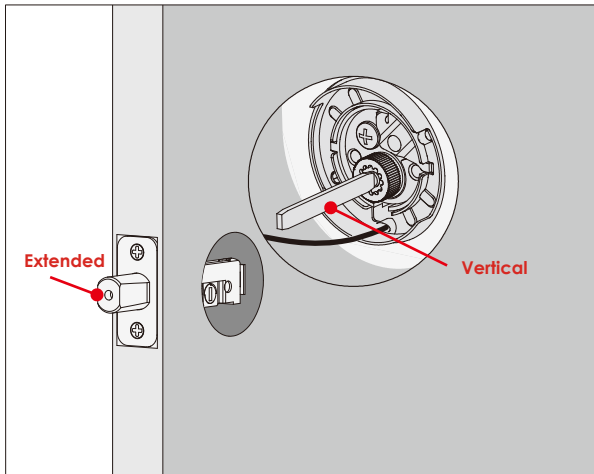
Step 2

INSTALLING THE EXTERIOR ASSEMBLY

Check the exterior assembly (B) alignment to door hole and deadbolt before peeling off film on adhesive strips.

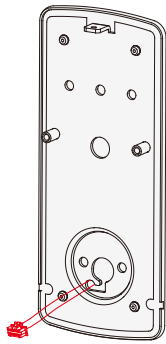


Peel film from adhesive strips and make sure torque blade is in the vertical position with the deadbolt extended. Place assembly and torque blade through the deadbolt slot and guide connection cables through the cross-bore hole under the deadbolt as shown. Complete mounting by aligning and securing until flush to exterior door surface.

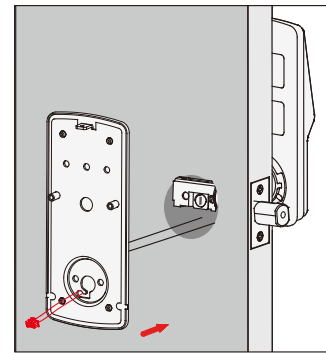


Step 3

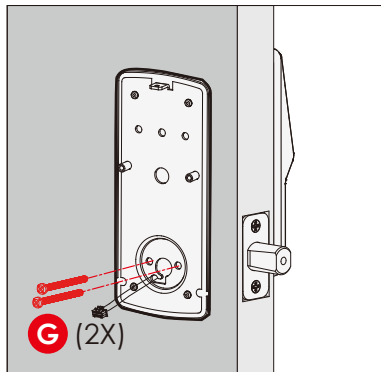
INSTALLING THE INTERIOR ASSEMBLY (F)



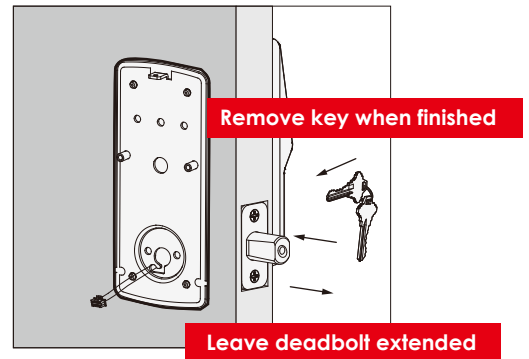
1: Check interior mounting plate (K) alignment to your door hole before securing with adhesive strips.



2: Align and secure mounting plate with adhesive strips. Guide connection cables through the hole and secure to the lower left notched hole.



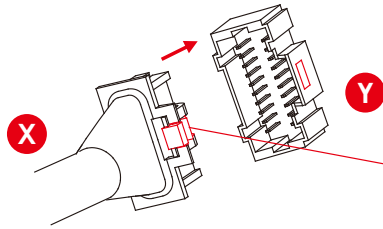
3: Insert and tighten by hand 2 **G** screws located on the left and right of the blade. Check alignment and tighten with screwdriver until mounting plate is securely placed on door.



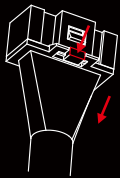
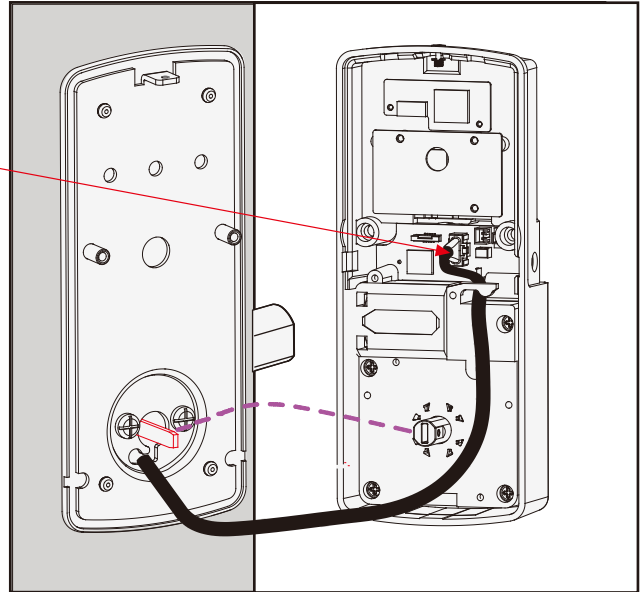
4: Use the key to ensure deadbolt locks and unlocks smoothly (no binding or rubbing). **IMPORTANT: when finished, leave the deadbolt extended and remove the key before proceeding to the next step.**

TIP: when installing screws by hand, turn screws clockwise several turns then counterclockwise one turn to ensure smooth threading and no cross threading.

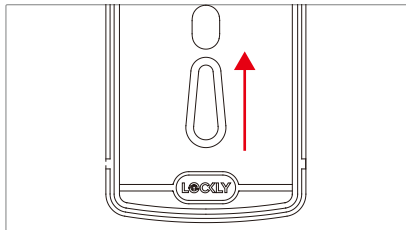
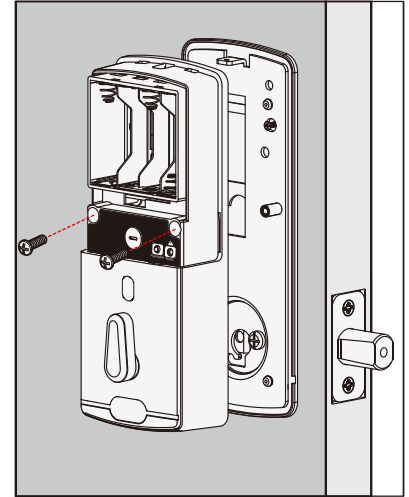
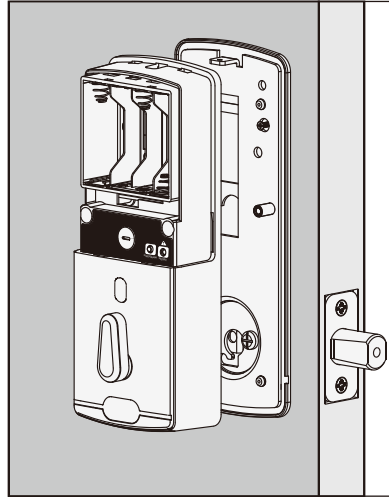
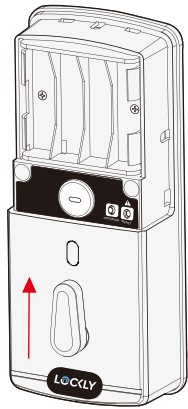
Plug the cable coming through mounting plate **D** into the interior assembly **F** as shown. Tuck cable under eyelet hooks and route to the right on interior assembly **F**.



Plug **X** into **Y**, match red side of plug with red on socket - insert tightly.



NOTE: If you need to disconnect the cable, make sure to press the snap tab to release the plug before carefully pulling it out. Do not force, as this may result in damaging the lock.



Torque Blade Thumb turn shaft



Align torque blade with thumb turn shaft, **make sure both are in the vertical position.**



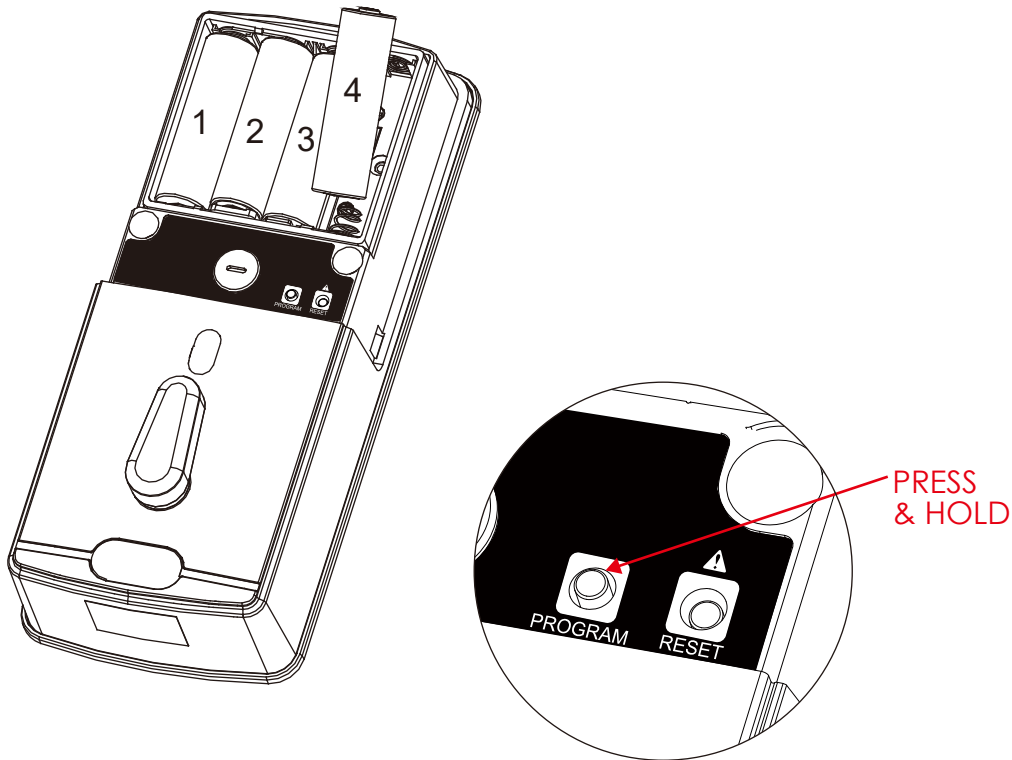
Before placing the interior assembly onto the mounting plate, ensure the thumb turn is **vertical**.

Place the interior assembly against the mounting plate and make sure the torque blade is inserted to the thumb turn shaft.

Secure the interior assembly to mount platedoor with 2  screws.

Step 4

INSTALLING BATTERIES



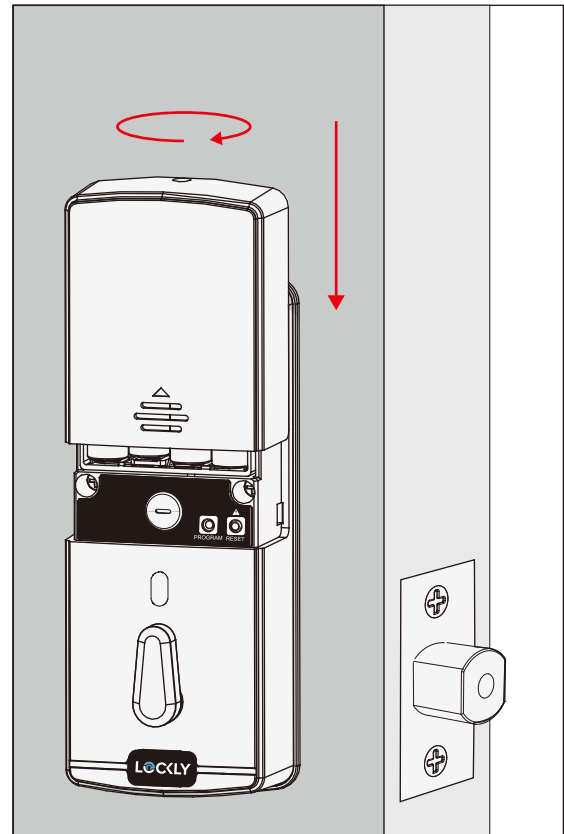
1: With door open and deadbolt fully extended, place ribbon inside compartment and **insert 4 batteries** (note correct -/+ polarity).

2: After all batteries are installed, **PRESS and HOLD the program button for 10S**. The lock will automatically start self-check (release program button once check starts). The self-check process determines right or left swinging door and is very important to ensure correct installation. **IMPORTANT: If lock is not properly installed it will open and close repeatedly (refer to next page #3).**

3: Once self-check completes ensure the lock operates smoothly by manually locking and unlocking the door using the thumb turn on the interior assembly. The deadbolt should operate smoothly without any interference or binding. If necessary, repeat step 2 and ensure that (a) the deadbolt was extended and (b) the torque blade was inserted vertically while the deadbolt was extended.

4: Swipe your hand across the touch screen keypad, the lock should close (lock). If deadbolt bounces back or unlocks automatically it means something is not installed correctly. Go back and repeat step 2, same as above.

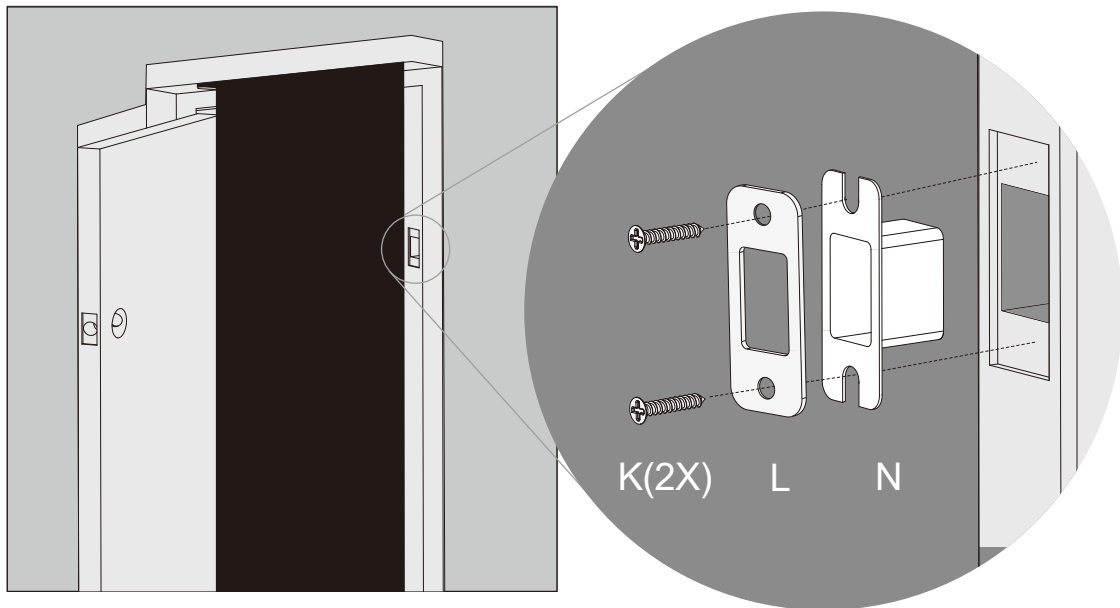
5. Once self-check is complete, install battery cover (H), secure with screw on top (do not over tighten).



Step 5

INSTALLING DOOR STRIKE

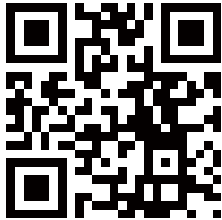
Use the supplied door strike or use your existing as long as deadbolt operates smoothly without binding or catching.



IMPORTANT: because doors and frames vary in design it may be necessary to make slight adjustments to your strike plate and/or dust box in order to ensure smooth deadbolt operation. **This is very important.** If the deadbolt is binding or catching in any way the lock will sound an alarm (rapid beeping) indicating it cannot close due to misalignment and/or excessive rubbing or binding.

Congratulations! You have completed the Lockly Model 7S physical lock installation. To complete your setup, download the Lockly app from the App Store or on Google Play and follow below on-screen instructions.

**Scan or visit
[Lockly.com/app](https://lockly.com/app)**



Add more **Smart** to your **Home**



Secure Link Wi-Fi Hub

Add the optional Lockly Secure Link Wi-Fi Hub, together with the free Lockly app, it's easier than ever to securely control and manage your door from anywhere, anytime.

Real-time, monitoring, & status

Monitor open/closed door status with real-time alerts sent to your smart phone, no matter where you are.

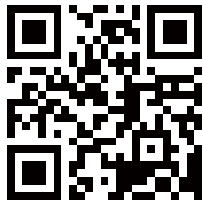


Control your LOCKLY from anywhere.



Grant access, even when you're not home

Lock and unlock door from anywhere.



Available online at:
[Lockly.com/hub](https://lockly.com/hub)

Hands-free voice control

Control and check your status using only your voice with Amazon Alexa or Google Assistant-enabled devices.



FCC Warning:

This device complies with Part 15 of the FCC Rules. Operation is subject to the following two conditions: (1) This device may not cause harmful interference, and (2) this device must accept any interference received, including interference that may cause undesired operation.

NOTE 1: This equipment has been tested and found to comply with the limits for a Class B digital device, pursuant to part 15 of the FCC Rules. These limits are designed to provide reasonable protection against harmful interference in a residential installation. This equipment generates, uses and can radiate radio frequency energy and, if not installed and used in accordance with the instructions, may cause harmful interference to radio communications. However, there is no guarantee that interference will not occur in a particular installation. If this equipment does cause harmful interference to radio or television reception, which can be determined by turning the equipment off and on, the user is encouraged to try to correct the interference by one or more of the following measures:

- Reorient or relocate the receiving antenna.
- Increase the separation between the equipment and receiver.
- Connect the equipment into an outlet on a circuit different from that to which the receiver is connected.
- Consult the dealer or an experienced radio/TV technician for help.

NOTE 2: Any changes or modifications to this unit not expressly approved by the party responsible for compliance could void the user's authority to operate the equipment.

FCC Radiation Exposure Statement

The Secure Link Wi-Fi Hub complies with FCC radiation exposure limits set forth for an uncontrolled environment. It should be installed and operated with minimum distance 20cm between the radiator & your body.

IC WARNING

This device contains license-exempt transmitter(s) that comply with Innovation, Science and Economic Development Canada's license-exempt RSS(s). Operation is subject to the following two conditions:

- (1) This device may not cause interference.
- (2) This device must accept any interference, including interference that may cause undesired operation of the device.

L'émetteur/récepteur exempt de licence contenu dans le présent appareil est conforme aux CNR d'Innovation, Sciences et Développement économique Canada applicables aux appareils radio exempts de licence. L'exploitation est autorisée aux deux conditions suivantes:

1. L'appareil ne doit pas produire de brouillage;
2. L'appareil doit accepter tout brouillage radioélectrique subi, même si le brouillage est susceptible d'en compromettre le fonctionnement.

IC Radiation Exposure Statement

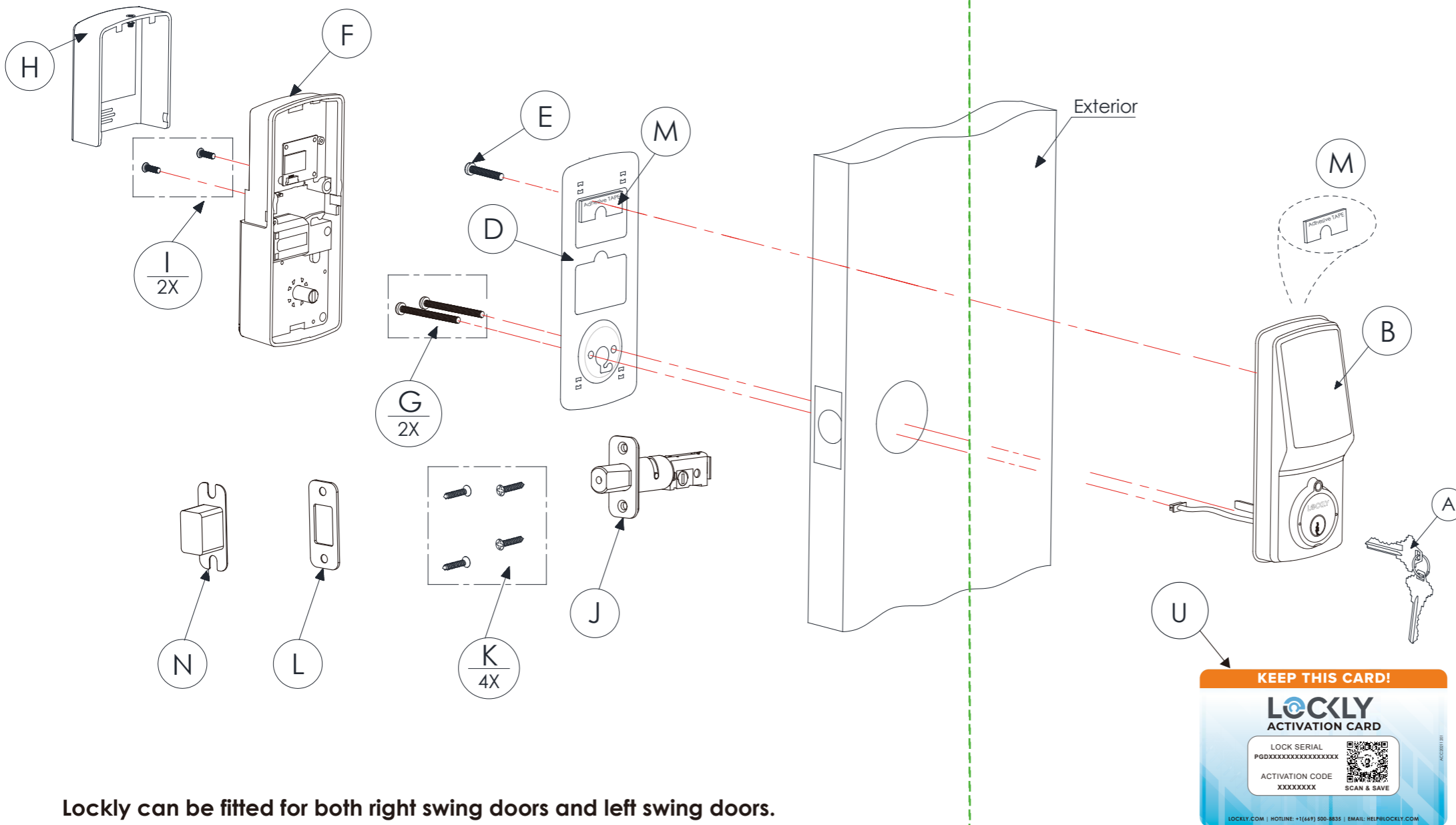
This equipment meets the exemption from the routine evaluation limits in section 2.5 of RSS-102. It should be installed and operated with a minimum distance of 20cm between the radiator and any part of your body.

Cet équipement est conforme à l'exemption des limites d'évaluation habituelle de la section 2.5 de la norme RSS-102. Il doit être installé et utilisé à une distance minimale de 20 cm entre le radiateur et toute partie de votre corps.



WARNING: This product can expose you to chemicals including Lead, which is known to the State of California to cause cancer. For more information go to www.P65Warnings.ca.gov.

INSTALLATION OVERVIEW AND PARTS LIST



Parts List

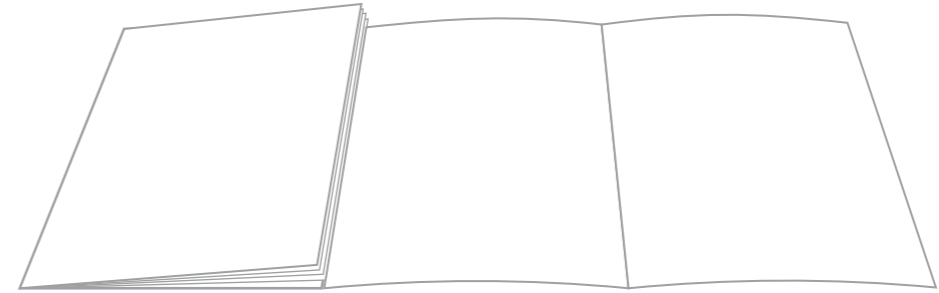
Labeled As	Description
A	Keys
B	Exterior Assembly
C	Exterior
D	Mounting Plate
E	PM5 Screw
F	Interior Assembly
G	PM5×60mm Screw
H	Battery Cover
I	PM4*12MM Screw
J	Deadbolt
K	KA4*20MM Screw
L	Strike Plate
N	Dust Box
U	Activation Card

Lockly can be fitted for both right swing doors and left swing doors.



Connect with us

@meetLockly | #Lockly



Reference installation parts overview foldout.



For the latest version of this manual, please visit the following link:

[Lockly.com/help](https://lockly.com/help)



We're here to help!
Email: help@lockly.com

© Copyright 2021 Lockly All rights reserved

CHINA ZL 2013 1 0487970.4 | HONG KONG HK1194496 | TAIWAN 621028 | EUROPE EP3 059689 B1 | AUSTRALIA 2013403169 | RUSSIA RU2665222 | KOREA10-1860096 | INDONESIA IDP000064051 | Other Patents Pending

The Bluetooth® word mark and logos are registered trademarks owned by the Bluetooth SIG, Inc. , and any use of such marks by Lockly is under license. Other trademarks and trade names are those of their respective owners. Google, Android, Google Play and Google Home are trademarks of Google LLC. , Amazon, Alexa and all related logos are trademarks of Amazon.com, Inc., or its affiliates.