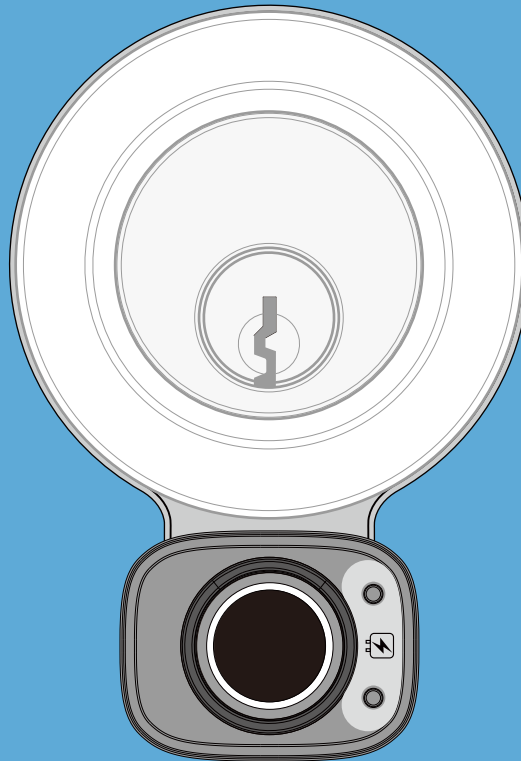


ACCESS TOUCH

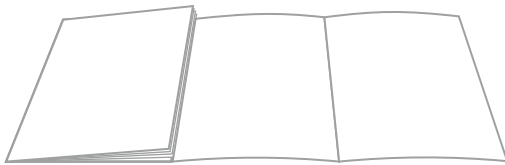
3D FINGERPRINT SCANNER FOR DEADBOLTS



INSTALLATION GUIDE

Welcome!

This guide will walk you through step-by-step how to install and get your Lockly up and running. Installation generally takes less than 30 minutes. If you have any questions please reference our online support at: [Lockly.com/support](https://lockly.com/support) or call (669) 500-8835 for help.



Reference installation parts overview foldout on back page

Important, before getting started...

Lockly Access Touch is designed to work with existing standard deadbolts. Before installing, check your existing deadbolt for smooth and clean operation. With the door closed, the deadbolt should lock and unlock without any resistance or binding.

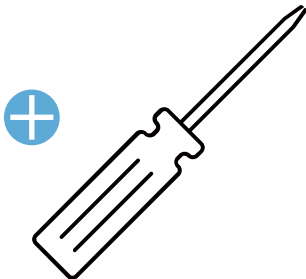
If any resistance or binding exist, adjust or modify strike plate for smooth, resistance free operation. Failure to do so will impede the performance of the Lockly Access Touch.

If needed, Lockly offers standard mechanical deadbolts designed to work with Lockly Access Touch to replace old or worn deadbolts. To purchase, visit www.lockly.com/accessories or call our Customer Hotline: (669) 500-8835.

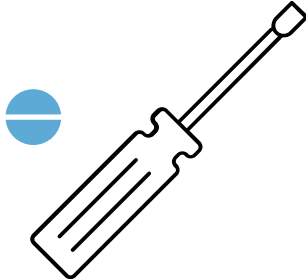
Required Tools

You will need the following tools:

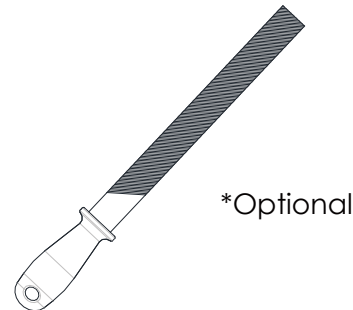
Phillips Screwdriver



Flathead Screwdriver



Wood File

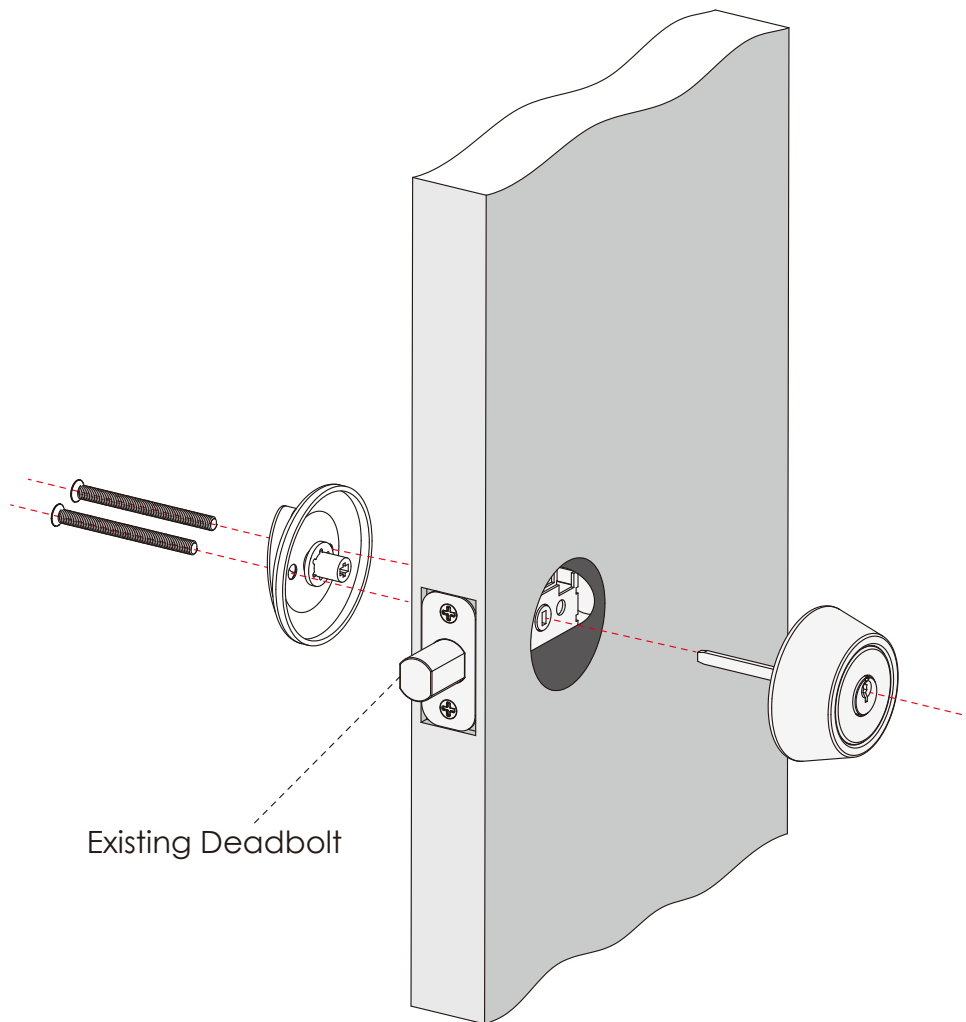


*Modify door hole using a wood file or utility knife. When trimming the door hole, make sure to have enough space for the fingerprint sensor cable. Avoid cable from getting pinched or tightly squeezed between the door surface and lock's ring or shield.

Step 1

REMOVE EXISTING DEADBOLT

- 1 Remove the existing lock installed on your door and retain the deadbolt.

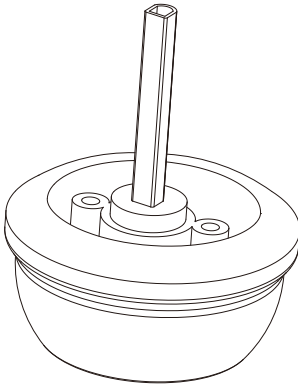


Step 1 continued

REMOVE EXISTING DEADBOLT

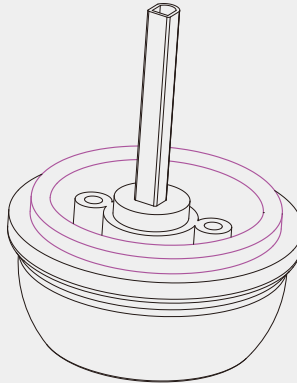
- 2** There are primarily 3 different styles of deadbolts (shown below) found on most doors. Depending on which type yours is, you may need to do a slight modification on your door hole (trim by wood file or utility knife) to ensure the cable of the fingerprint sensor is not pinched between the door and the lock.

A. NO RING

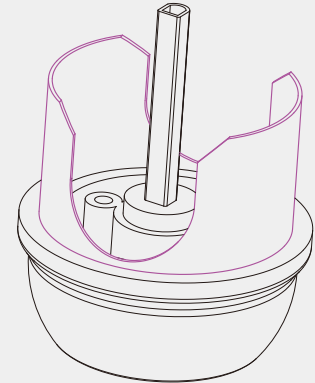


Does not require door lock hole modification.

B. MOUNTING RING



C. ANTI-PRY SHIELD



IMPORTANT:

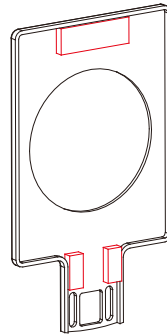
Lock type B and C require door hole modification. File or trim door hole to avoid cable from being pinched .

Step 2

INSTALLING FINGERPRINT SENSOR

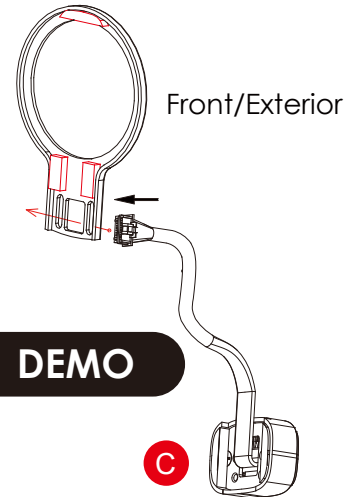
Depending on the style and shape of your existing deadbolt, select either the square **A** or round **B**, provided mounting plate.

- 1 With the mounting plate facing out, route the cable on the fingerprint sensor **C** through the deadbolt hole as shown.

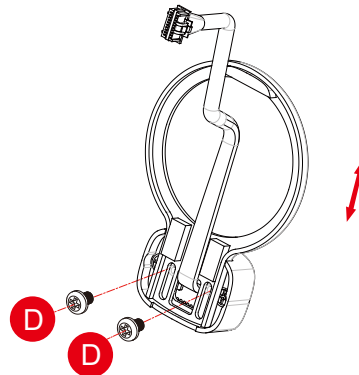
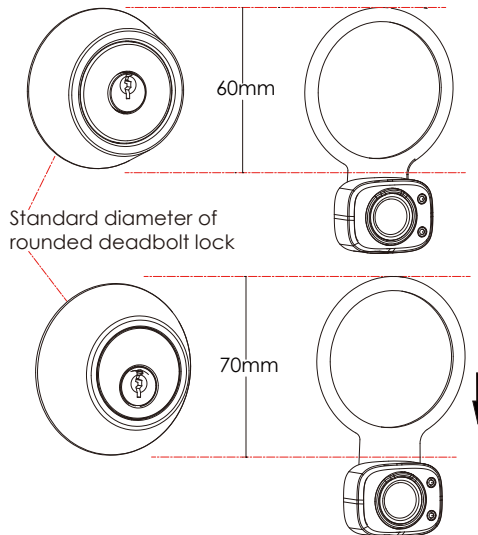


Square Mounting Plate **A**

Round Mounting Plate **B**



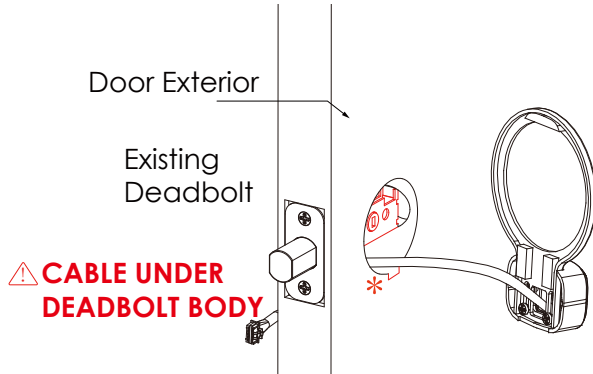
- 2 Adjust the position of the sensor according to the diameter of your deadbolt lock. Carefully tighten screws **D** after adjusting the position.



Step 2 continued

INSTALLING FINGERPRINT SENSOR

- 3** Guide the cable through the door hole under the existing deadbolt.

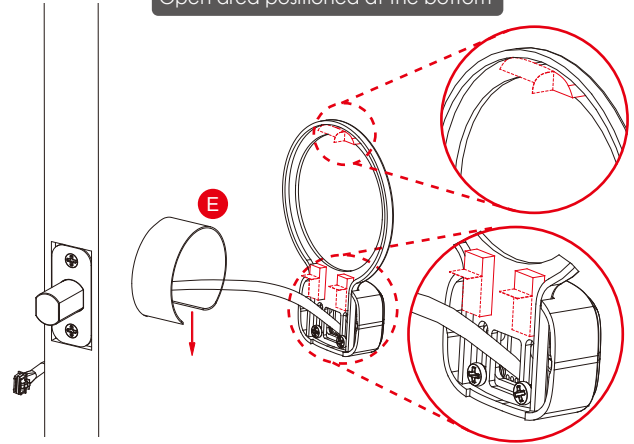


⚠ IMPORTANT: * If you trimmed or filed your door hole, the cable should be seating on the trimmed or filed area.

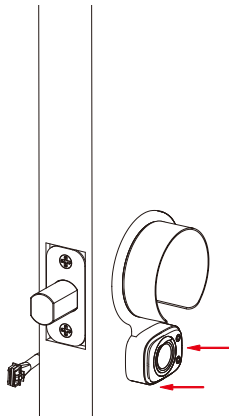
- 4** Remove protective paper from adhesive strips.

Insert the Positioning Sleeve **E**

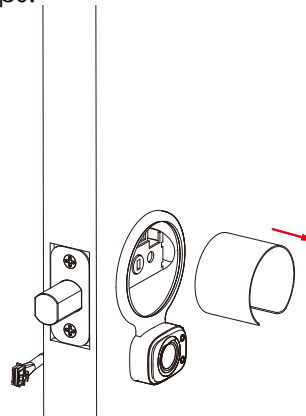
Open area positioned at the bottom



- 5** Carefully check alignment then press mounting plate and sensor flush to door.



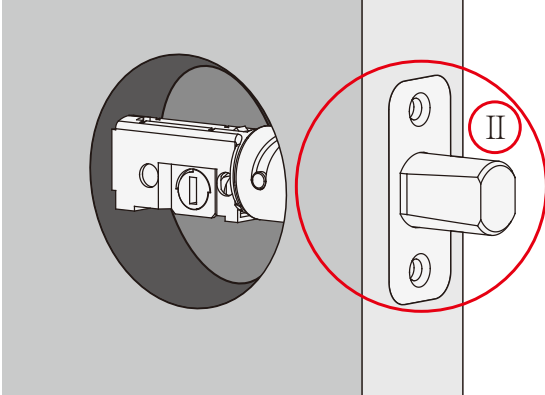
- 6** Remove positioning sleeve, assembly should remain in place by the adhesive strips.



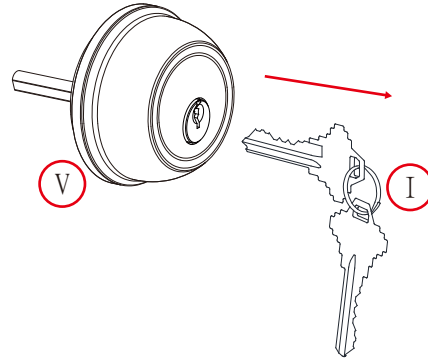
Step 3

INSTALLING THE EXTERIOR ASSEMBLY

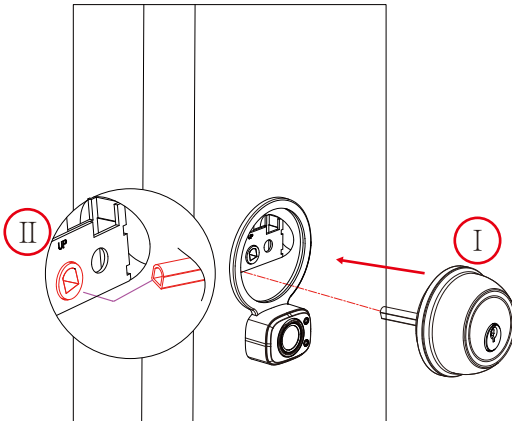
- 1 Make sure the deadbolt **II** is extended



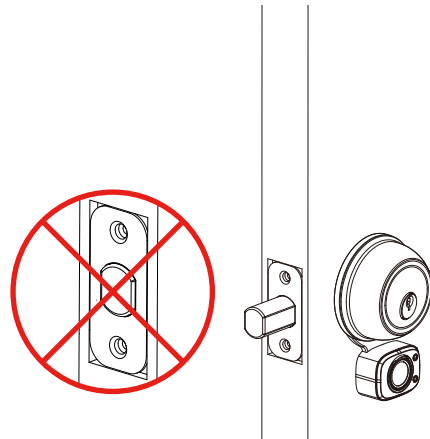
- 2 If necessary, remove key **I** from deadbolt **V**.



- 3 Reinstall deadbolt ensuring torque blade and lock are in the correct orientation.



- 4 Check to make sure the deadbolt remains fully extended. If needed, use a screwdriver or pliers to fully extend.



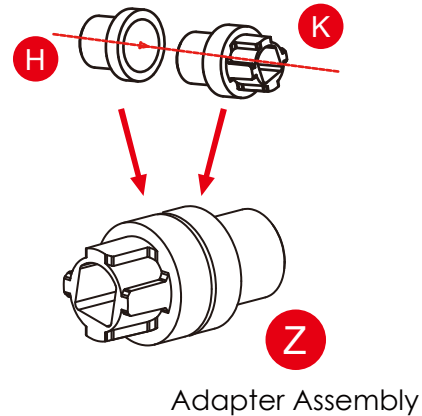
Step 4

INSTALLING THE INTERIOR ASSEMBLY

- 1 Identify and select the appropriate spindle/torque blade adapter that matches your lock.



- 2 Attached the temporary positioning guide tool **H** to the selected adapter **K** to form the adapter assembly. You will use the adapter in the succeeding steps.



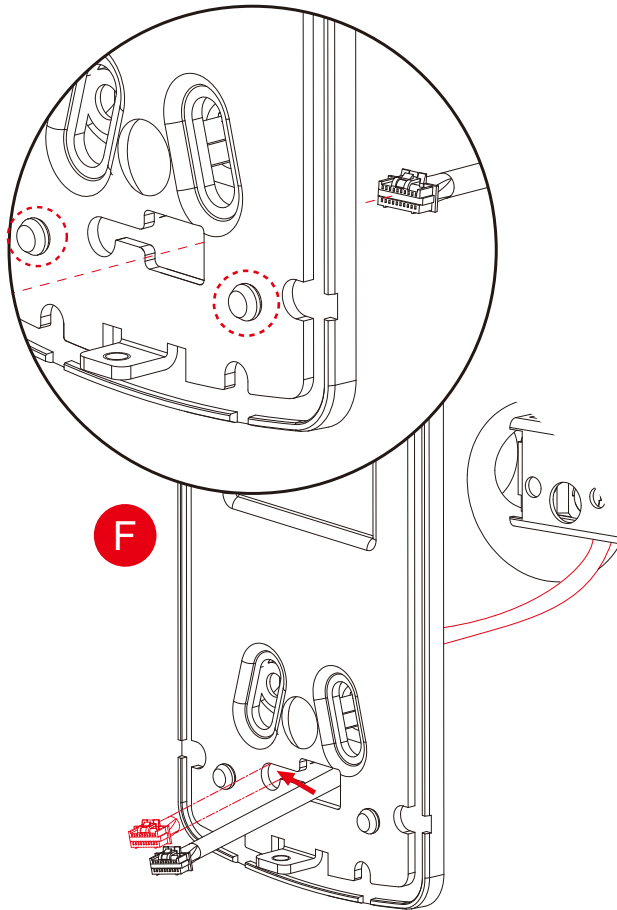
IMPORTANT:

If none of the provided adapters match your locks spindle or torque blade, please call our Customer Hotline (669) 500-8835 to get help with an alternative solution.

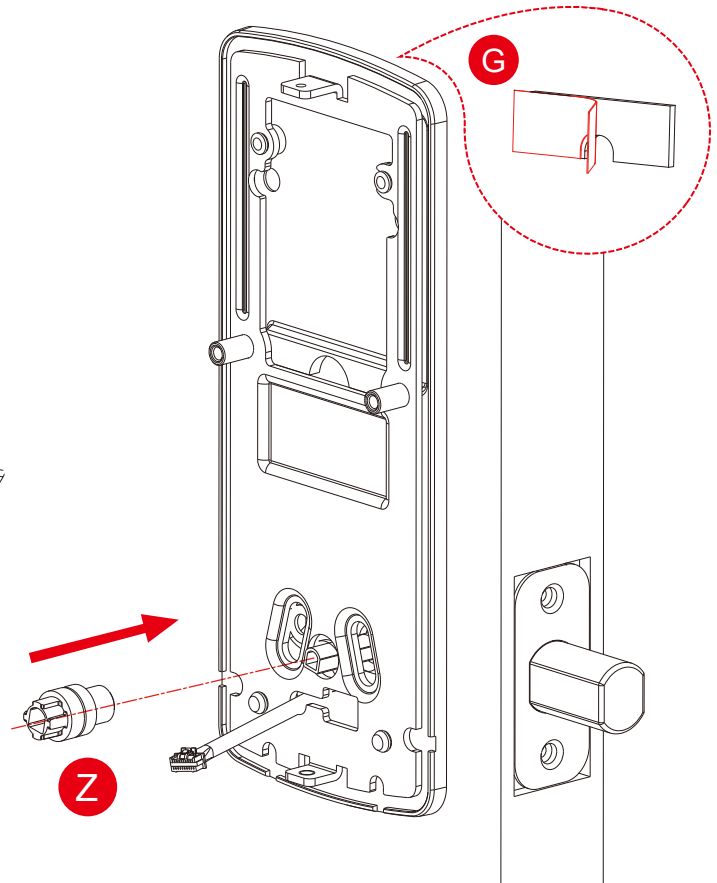
Step 4 continued

INSTALLING THE INTERIOR ASSEMBLY

- 3** Secure the rubber gasket to the interior mounting plate. Route the sensor cable through the notched rectangular hole located at the bottom of the mounting plate **F**.

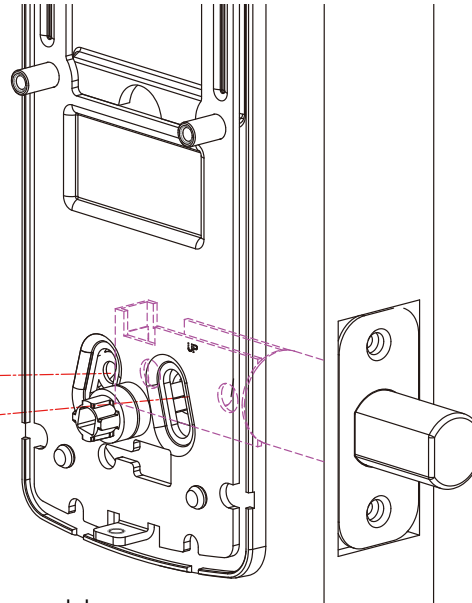
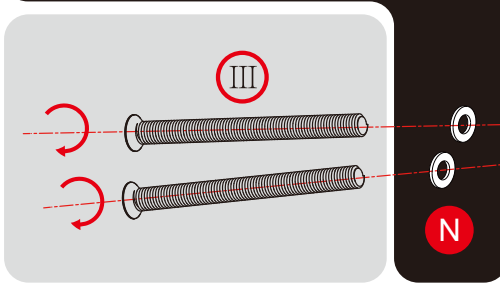


- 4** Attach the adapter assembly **Z** to the torque blade or spindle. Ensure assembly mated with the torque blade or spindle and it is level with the lock and the mounting plate. Check alignment of the mounting plate before securing it with adhesives.

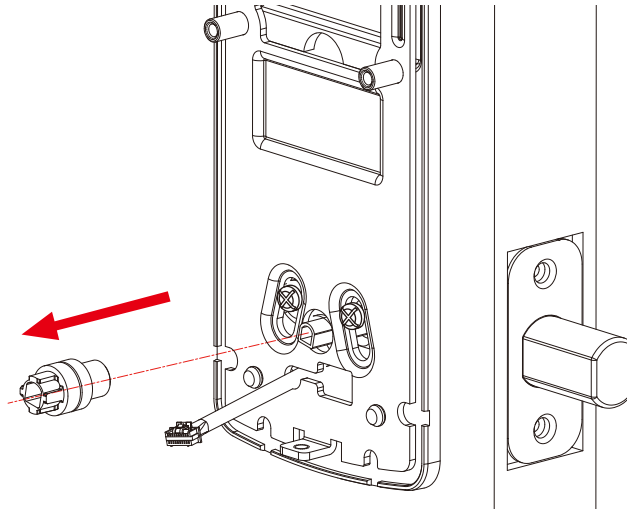


- 5 Insert and hand tighten backplate screws. Adjust alignment as needed and tighten with a screwdriver until mounting plate is secure.

***Use the existing screws of your deadbolt. Make sure the screw head will not pass through the mounting plate holes. Use provided washer **N** if the screw head is less than 9mm.**

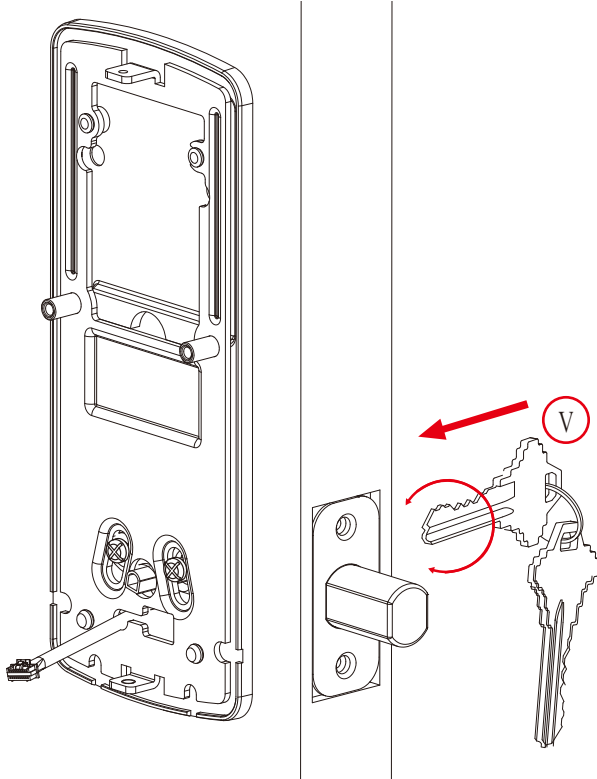


- 6 Remove the adapter and positioning tool assembly.



Step 4 continued

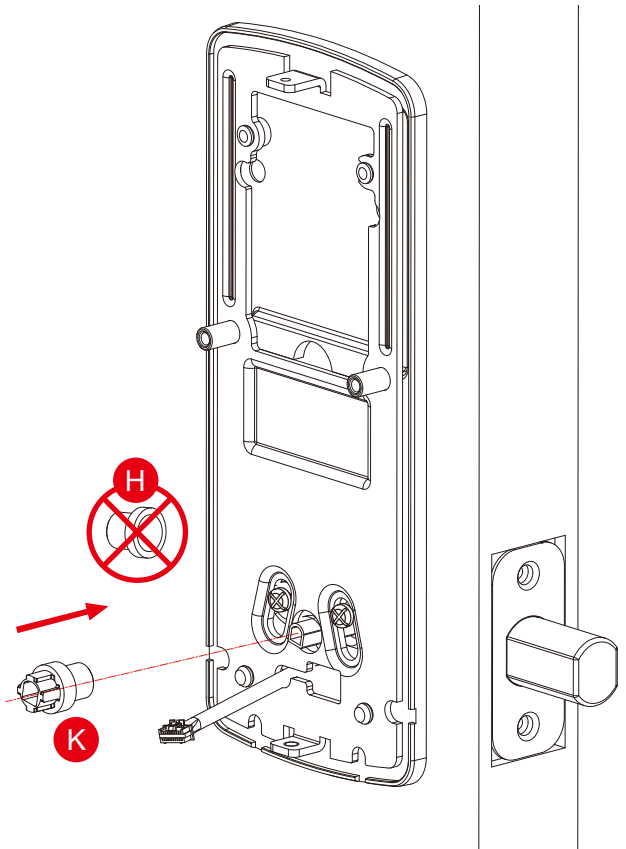
- 7 Using the key **V** for your deadbolt, test locking and unlocking to ensure smooth operation. If there is binding or resistance, loosen the back plate mounting screws **III** and adjust plate alignment with spindle /torque blade to alleviate any misalignment that may be causing the issue



INSTALLING THE INTERIOR ASSEMBLY

- 8 Remove positioning tool **K** and return adapter to torque blade or spindle

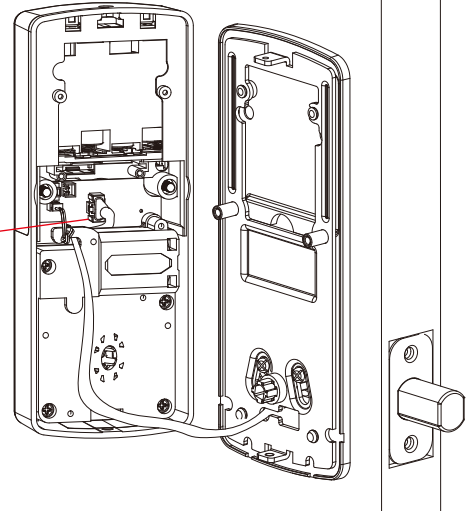
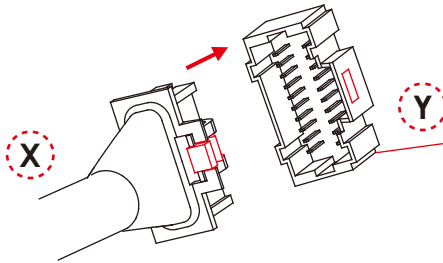
NOTE: Positioning tool **H** must be removed.



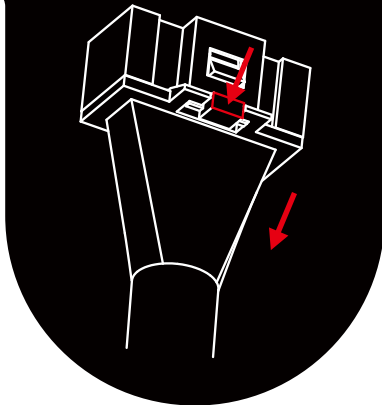
IMPORTANT: When finish, leave the deadbolt fully extended and remove the key if necessary before proceeding to the next step.

Plug the cable coming through mounting plate into the interior assembly as shown. Tuck cable under eyelet hook and route to the right on interior assembly

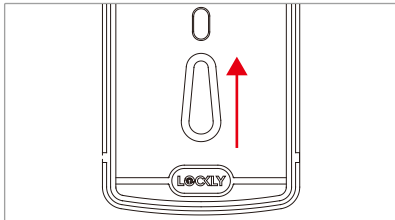
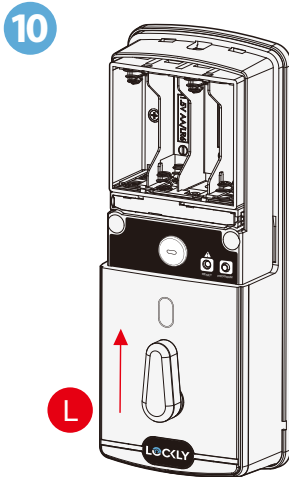
- 9 Plug **X** into **Y**, match red side of plug with red on socket - insert tightly.



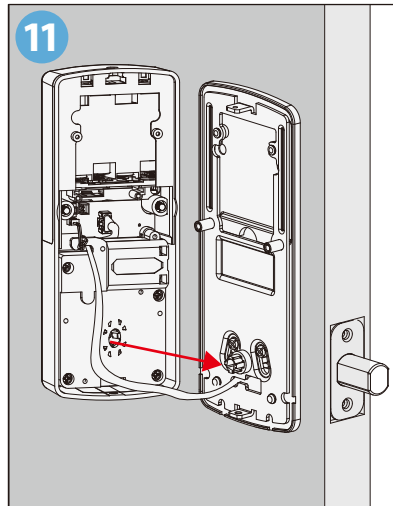
NOTE: If you need to disconnect the cable, make sure to press the snap tab to release the plug before carefully pulling it out. Do not force, as this may result in damaging the lock.



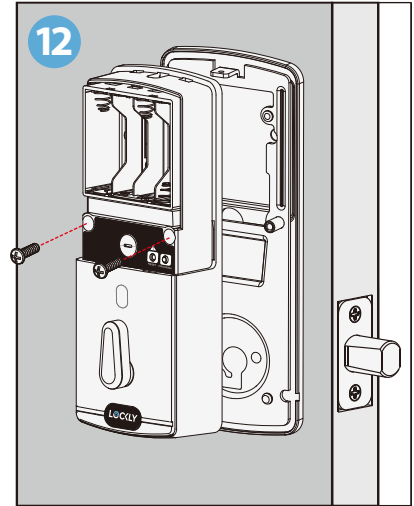
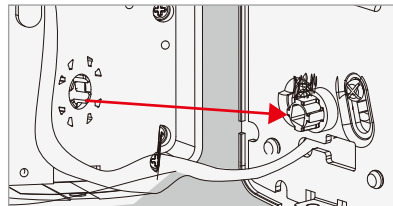
Push any excess cable that might interfere with the back assembly or the spindle/torque blade back through the deadbolt door hole.



Before placing the interior assembly **L** onto the mounting plate, ensure the thumb turn is **vertical**.



Merge the interior assembly to the mounting plate ensuring the spindle torque/blade adapter seats properly to the thumb lever receiver. You may need to wiggle the thumb lever back and forth slightly in the process to align the two parts.



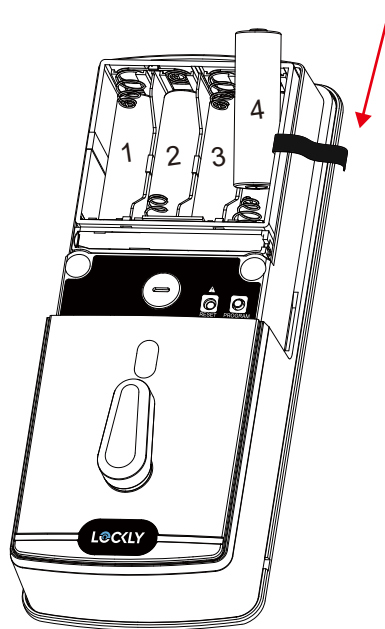
M 2X

Secure the interior assembly to mounting plate with 2 **M** screws.

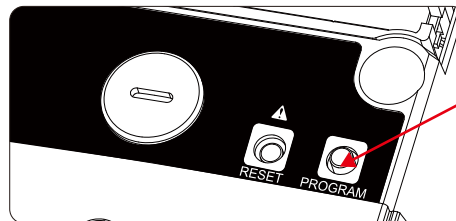
Step 5

INSTALLING BATTERIES

- 1 With door open and deadbolt **fully extended**, place ribbon inside compartment and **insert 8 batteries** (note correct -/+ polarity).

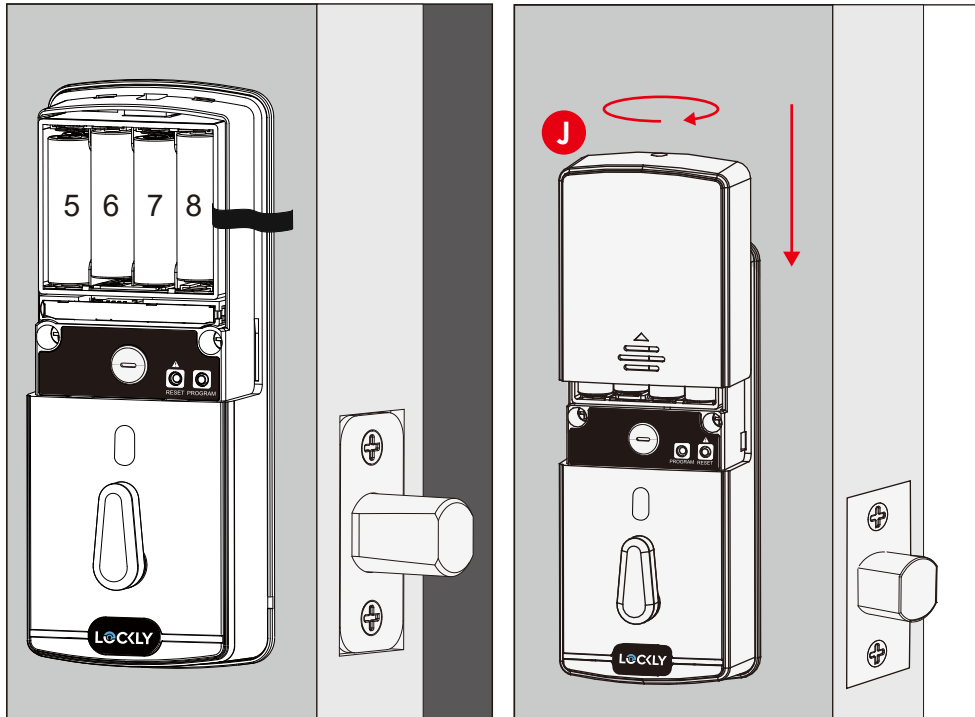


- 2 After all batteries are installed, **PRESS and HOLD the program button for 10S**. The lock will automatically start self-check (release program button once check starts). The self-check process determines right or left swinging door and is very important to ensure correct installation. **IMPORTANT: If lock is not properly installed it will open and close repeatedly (refer to next page #3).**



PRESS
& HOLD

- 3 Once self-check completes ensure the lock operates smoothly by manually locking and unlocking the door using the thumb turn on the interior assembly. The deadbolt should operate smoothly without any interference or binding. If necessary, repeat **steps 3 & 4** and ensure that (a) the deadbolt was extended and (b) The spindle/torque blade was properly mated and aligned to the interior back assembly.
- 4 Once self-check is complete, install battery cover **J**, secure with screw on top (do not over tighten).



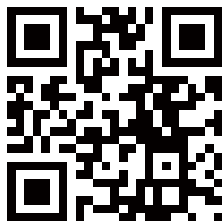
! IMPORTANT: If your lock is not properly installed, it will open and close repeatedly at times and/or battery life will be reduced.

Step 6

DOWNLOAD LOCKLY APP

Congratulations! You have completed the Lockly Access Touch installation. To complete its setup, download the Lockly App from the App Store or on Google Play and follow on-screen instructions for adding a new lock.

Scan or visit
[Lockly.com/app](https://lockly.com/app)



or
Search & Download
Directly on...



FCC Warning:

This device complies with Part 15 of the FCC Rules. Operation is subject to the following two conditions: (1) This device may not cause harmful interference, and (2) this device must accept any interference received, including interference that may cause undesired operation.

NOTE 1: This equipment has been tested and found to comply with the limits for a Class B digital device, pursuant to part 15 of the FCC Rules. These limits are designed to provide reasonable protection against harmful interference in a residential installation. This equipment generates, uses and can radiate radio frequency energy and, if not installed and used in accordance with the instructions, may cause harmful interference to radio communications. However, there is no guarantee that interference will not occur in a particular installation. If this equipment does cause harmful interference to radio or television reception, which can be determined by turning the equipment off and on, the user is encouraged to try to correct the interference by one or more of the following measures:

- Reorient or relocate the receiving antenna.
- Increase the separation between the equipment and receiver.
- Connect the equipment into an outlet on a circuit different from that to which the receiver is connected.
- Consult the dealer or an experienced radio/TV technician for help.

NOTE 2: Any changes or modifications to this unit not expressly approved by the party responsible for compliance could void the user's authority to operate the equipment.

FCC Radiation Exposure Statement

The Secure Link Wi-Fi Hub complies with FCC radiation exposure limits set forth for an uncontrolled environment. It should be installed and operated with minimum distance 20cm between the radiator & your body.

IC WARNING

This device contains license-exempt transmitter(s) that comply with Innovation, Science and Economic Development Canada's licence-exempt RSS(s). Operation is subject to the following two conditions:

- (1) This device may not cause interference.
- (2) This device must accept any interference, including interference that may cause undesired operation of the device.

L'émetteur/récepteur exempt de licence contenu dans le présent appareil est conforme aux CNR d'Innovation, Sciences et Développement économique Canada applicables aux appareils radio exempts de licence. L'exploitation est autorisée aux deux conditions suivantes:

1. L'appareil ne doit pas produire de brouillage;
2. L'appareil doit accepter tout brouillage radioélectrique subi, même si le brouillage est susceptible d'en compromettre le fonctionnement.

IC Radiation Exposure Statement

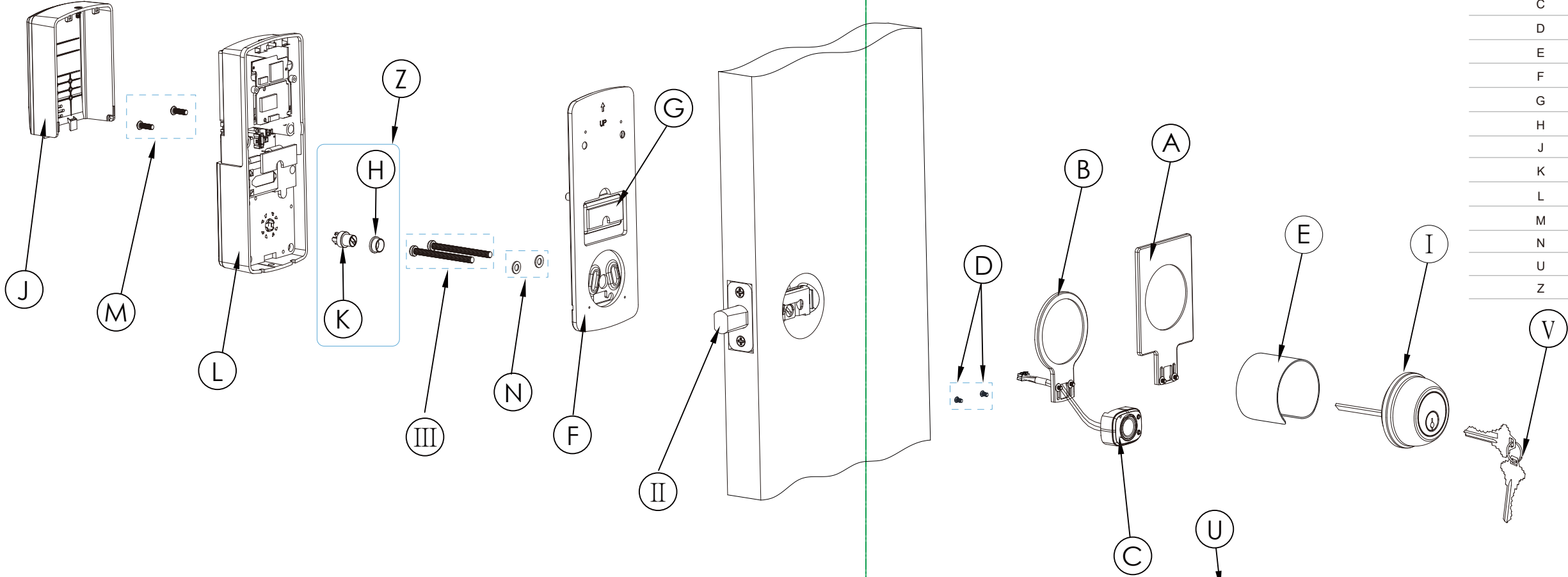
This equipment meets the exemption from the routine evaluation limits in section 2.5 of RSS-102. It should be installed and operated with a minimum distance of 20cm between the radiator and any part of your body.

Cet équipement est conforme à l'exemption des limites d'évaluation habituelle de la section 2.5 de l'anorme RSS-102. Il doit être installé et utilisé à une distance minimale de 20 cm entre le radiateur et toute partie de votre corps.



WARNING: This product can expose you to chemicals including Lead, which is known to the State of California to cause cancer. For more information go to www.P65Warnings.ca.gov.

INSTALLATION OVERVIEW AND PARTS LIST



Parts List

Labeled As	Description
A	Square Mounting Plate
B	Round Mounting Plate
C	Fingerprint Sensor
D	KM3*6mm Screw
E	Positioning Sleeve
F	Interior Mounting Plate
G	Adhesive Strips
H	Positioning Tool
J	Battery Cover
K	Adapter
L	Interior Assembly
M	PM4*12mm Screw
N	Washer
U	Activation Card
Z	Adapter Assembly

Parts List (Not Included)

Labeled As	Description
I	Lock Exterior
II	Deadbolt
III	Screws
V	Keys



Lockly Access Touch can be fitted for both right swing doors and left swing doors.

Connect with us

@meetlockly | #Lockly



@meetlockly | #Lockly



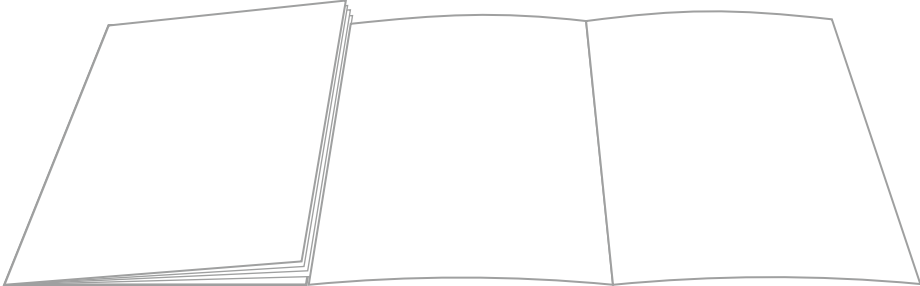
@meetlockly | #Lockly



@meetlockly | #Lockly



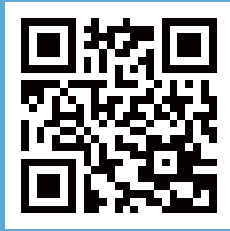
@meetlockly | #Lockly



Reference installation parts overview foldout.

LOCKLY ACCESS TOUCH

For the latest version of this manual, please visit the following link:
lockly.com/help



We're here to help!
help@lockly.com

© Copyright 2021 Lockly All rights reserved

CHINA ZL 2013 1 0487970.4 | HONG KONG HK1194496 | TAIWAN 621028 | EUROPE EP3 059689 B1 | AUSTRALIA 2013403169 | RUSSIA RU2665222 | KOREA10-1860096 | INDONESIA IDP000064051 | Other Patents Pending

The Bluetooth® word mark and logos are registered trademarks owned by the Bluetooth SIG, Inc. , and any use of such marks by Lockly is under license. Other trademarks and trade names are those of their respective owners. Google, Android, Google Play and Google Home are trademarks of Google LLC. , Amazon, Alexa and all related logos are trademarks of Amazon.com, Inc., or its affiliates.