

**LOCKLY<sup>®</sup>**

**MODEL 6S**



# INSTALLATION GUIDE

**LATCH EDITION**

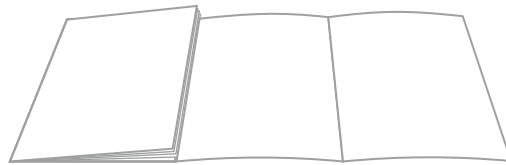
Go to [LOCKLY.com/installation](https://lockly.com/installation) to watch a video version of this installation guide.

OR

Download the BILT app from the App Store or on Google Play for step-by-step interactive 3-D walk-through installation instructions.

# Welcome!

This guide will walk you through step-by-step how to install and get your LOCKLY® up and running. Installation generally takes less than 30 minutes. If you have any questions please reference our online support at: [LOCKLY.com/support](https://LOCKLY.com/support) or call (669) 500-8835 for help.



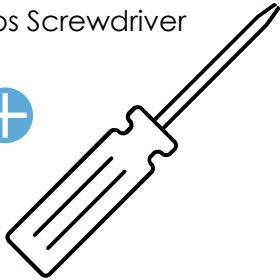
Reference installation parts overview foldout on back page

# Preparation

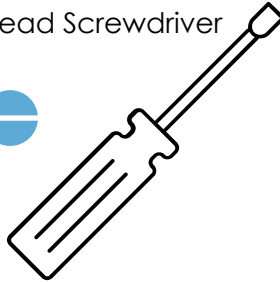
---

To complete the installation you will need:

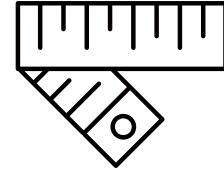
Phillips Screwdriver



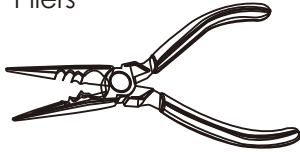
Flathead Screwdriver



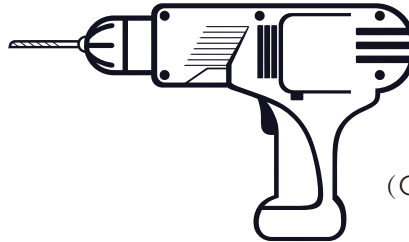
Tape measure or ruler



Pliers



Screwdriver with drill bits

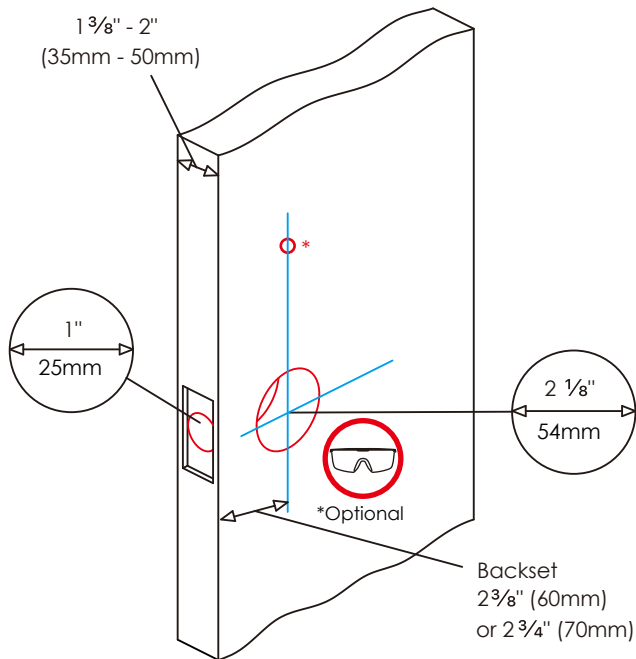


(Optional)

*Drilling is not required to install the lock, and is optional. However if you are installing your lock on a brand new door, a drill is required if there are no holes prepared for lock installation.*

# Preparation

Remove existing door hardware, latch or deadbolts before installing the new lock. Use provided template to bore new holes if needed.



- 1** Measure and confirm your door is between  $1\frac{3}{8}'' - 2''$  (35mm - 50mm).
- 2** Measure and confirm the hole in the door is  $2\frac{1}{8}''$  (54mm).
- 3** Measure and confirm that the backset is between  $2\frac{3}{8}''$  (60mm) to  $2\frac{3}{4}''$  (70mm).
- 4** Measure and confirm that hole in the door edge is  $1''$  (25mm).

## IMPORTANT NOTICE

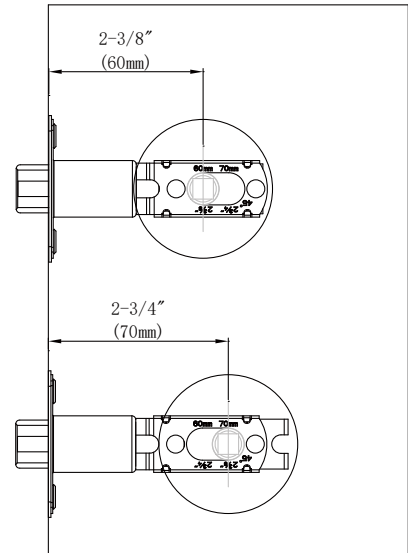
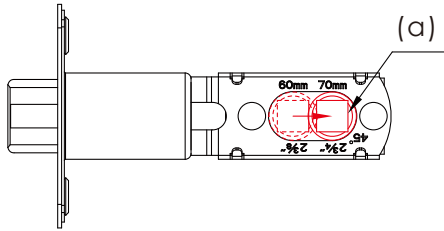


\* You are not required to drill an extra hole in your door. We have provided double-sided adhesive tape for you to help stabilize the lock during installation. Only drill a hole if you wish to have added stability. Please refer to the provided template for drilling if needed. Use goggles to protect your eyes if you need to drill door holes.

# Step 1

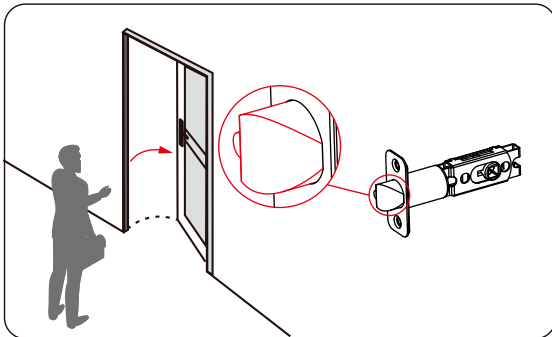
## INSTALLING THE LOCKSET

Measure the distance between center of front door hole to the edge of your door. Push the shaft (a) to adjust the lockset to 2-3/8" (60mm) or 2-3/4" (70mm).



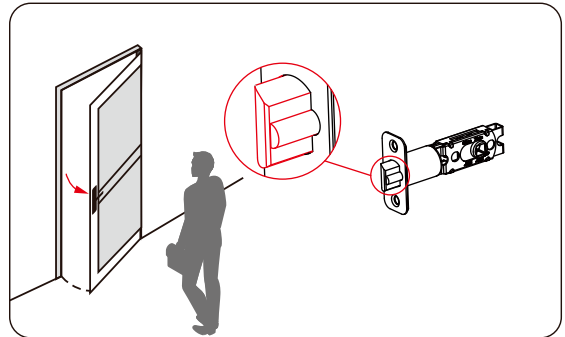
Facing the door exterior, install the lockset according to the opening direction of your door.

### In-swing Door



OR

### Out-swing Door



Secure lockset with provided **G** screws.

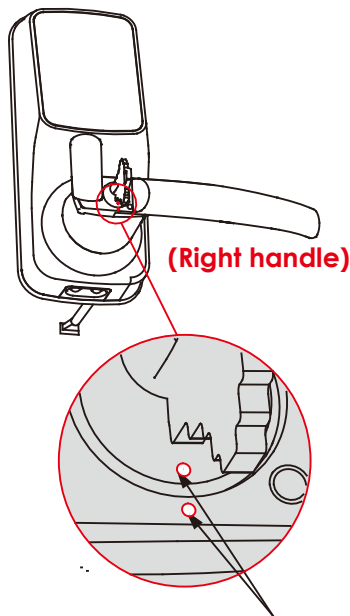
### Determine right swing or left swing door

While facing the door from the inside, if hinges are on the right side you have the right swinging door. If hinges on the left side you have a left swinging door.

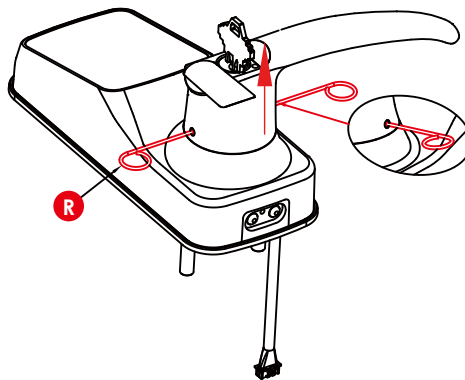
The lock ships set for **right swing doors**. Skip STEP 2 if your door is a **right swing door**. See steps below to change door handle orientation for a **left swing door**.

## Changing the Exterior Handle Orientation

1

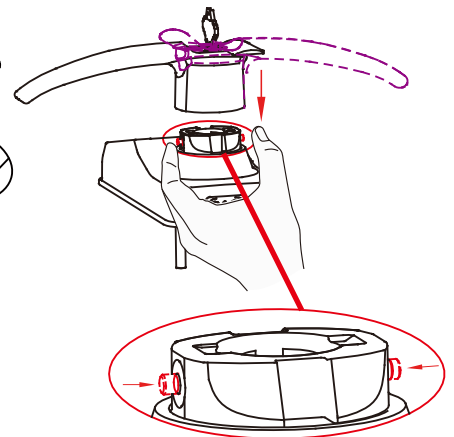


2



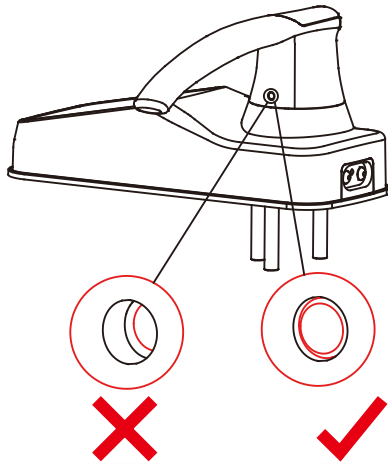
Use the provided pin insert **R** to push the metal pin located at the 3 o'clock of the the base handle, then the other pin at 9 o'clock position. Remove the handle once the pins are compressed.

3



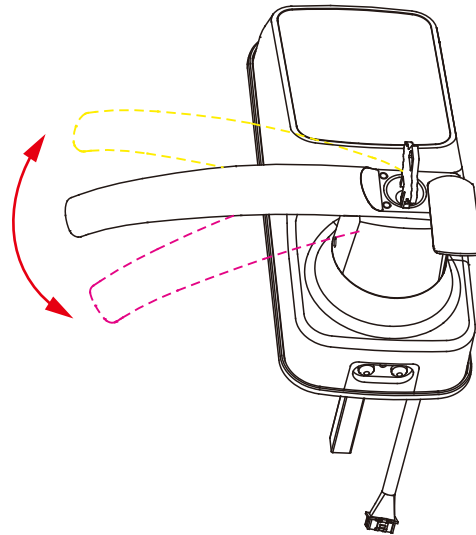
Rotate the handle 180° to the other side of the lock.

Using your fingers, press the two pins located on the left and right side of the the lock to insert the handle back onto the lock.



4

Confirm that your installation was complete by checking if the pins are flush against the handle, and has popped out. Adjust the handle accordingly to make sure the pins are fully decompressed and sits flush against the surface.

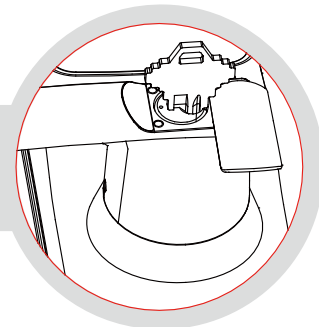


5

Check that your handle works smoothly by giving it a turn up and down.

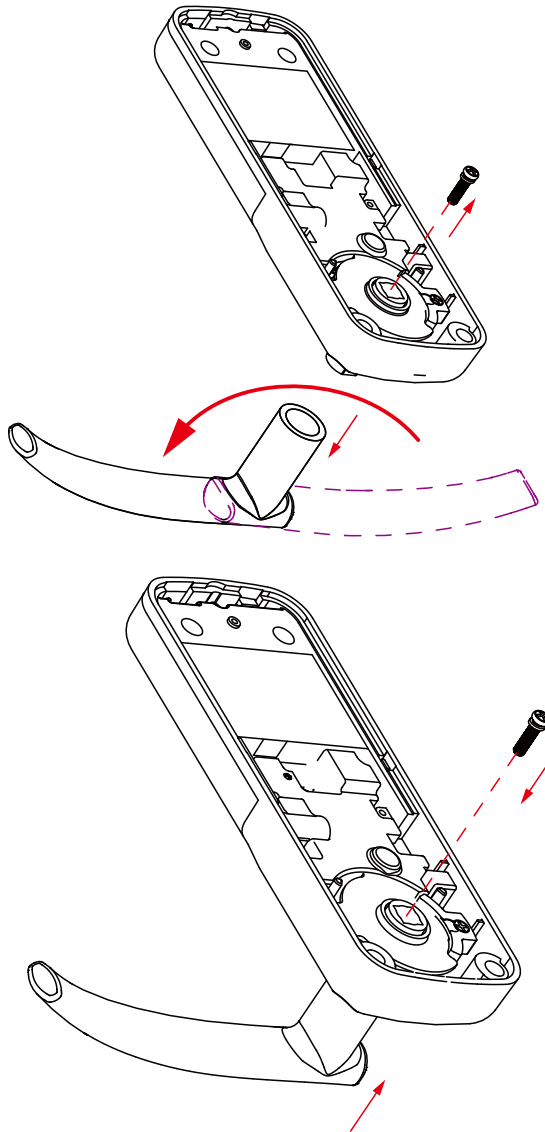
6

Twist key back to horizontal position. The key can be taken out once it goes back to the horizontal position.





## Changing the Interior Handle Orientation



1

Remove handle retaining screw by turning counter-clockwise. Remove handle and rotate 180° as shown.

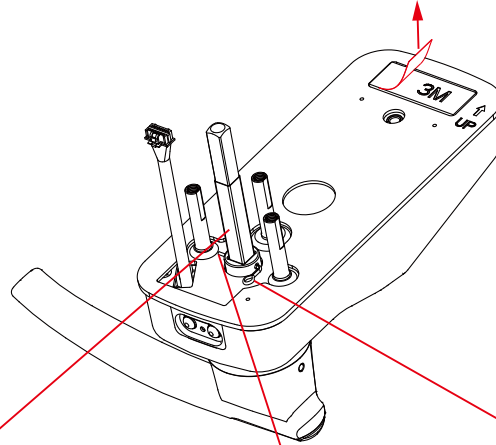
2

Return handle retaining screw and secure by turning opposite direction (clockwise).

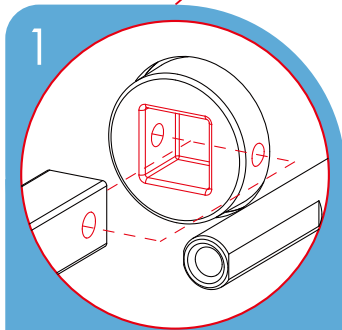
# Step 3

## PREPARING LOCK FOR INSTALLATION

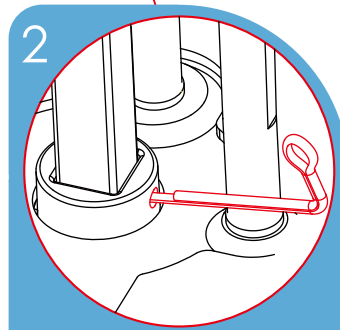
If you drilled a hole in Preparation, use Slotted Barrel Extension **U** and securely tighten with a flat head screwdriver by turning it clockwise onto the lock. If you did not drill a hole in Preparation, you can leave this pole removed.



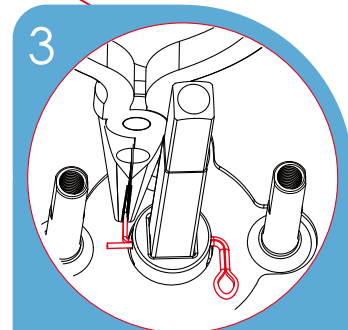
4 Peel paper layer OFF the Adhesive tape and prepare for installation.



1 Install Spindle **C** with the holes side into the base of the lock and align the holes locate in the 3 o'clock and 9 o'clock position.



2 Insert locking pin **D** in to the hole as shown above.

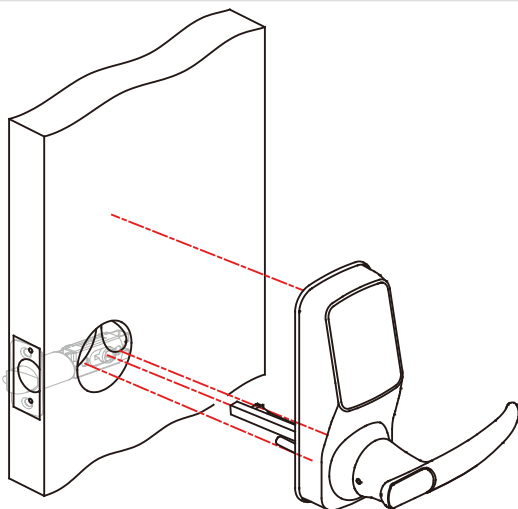


3 Carefully bend the end of the locking pin **D** with a needle nose pliers.

**Failure to bend the locking pin and turn the handle freely without obstruction will result to malfunction.**

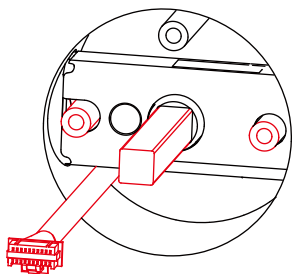
# Step 4

## INSTALLING THE LOCK (EXTERIOR)



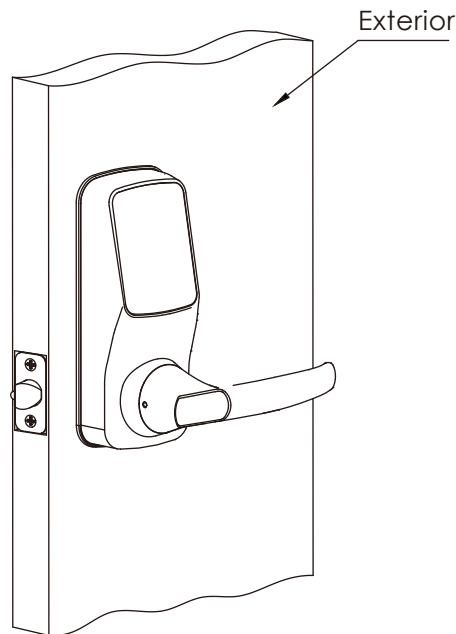
1

Install the exterior lock as shown to the left by aligning the lock straight and passing the cable and attached rods through the lockset.



2

Pass the Spindle **C** through the center of the lockset, and the round rods through the sides in their respective holes. **The cable should run underneath the lockset.**

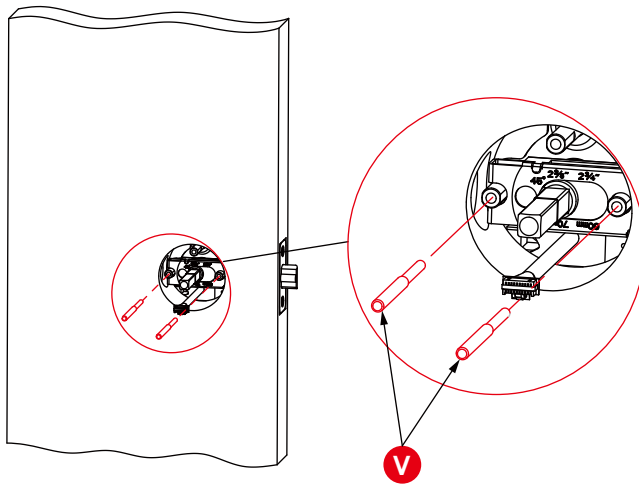


3

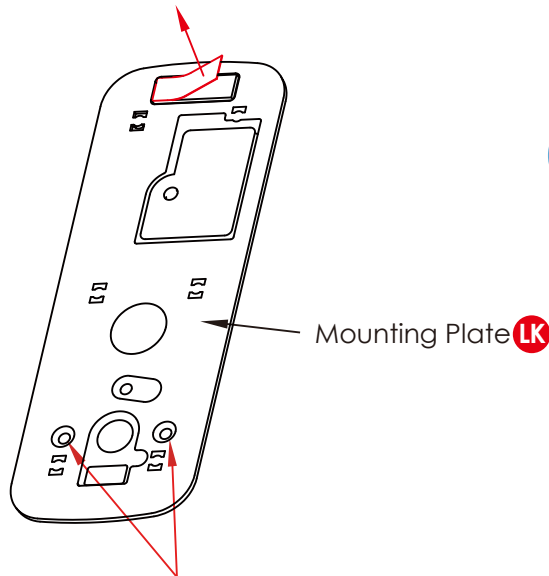
Align the lock straight and press hard (if you use the Adhesive tape in step 3.4) to secure the top of the lock.

# Step 5

## INSTALLING THE LOCK (INTERIOR)



- 1 Insert Positioning Rods **V** into the holes to the left and right of the Spindle **C**. The holes are located at the 3 o'clock and 9 o'clock positions.



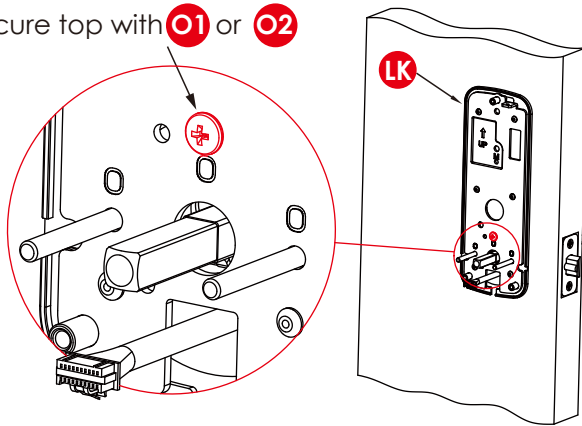
Mounting Plate **LK**

Positioning rods slide through these holes.

- 2 Interior Mounting Plate **LK** will go against the interior side of your door. Remove the paper layer off of the Adhesive Tape and align the positioning rods on the bottom of the plate to the corresponding left and right holes.

Install the side with the black plastic seal against the door.

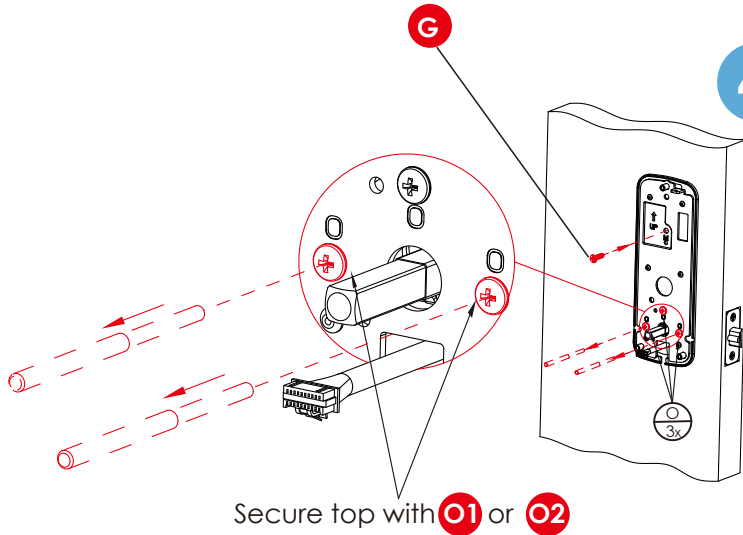
Secure top with **O1** or **O2**



**3**

Pull the cable from the lock exterior through the rectangular hole underneath the positioning rods and spindle.

Secure the hole above the spindle with screws **O**.



**4**

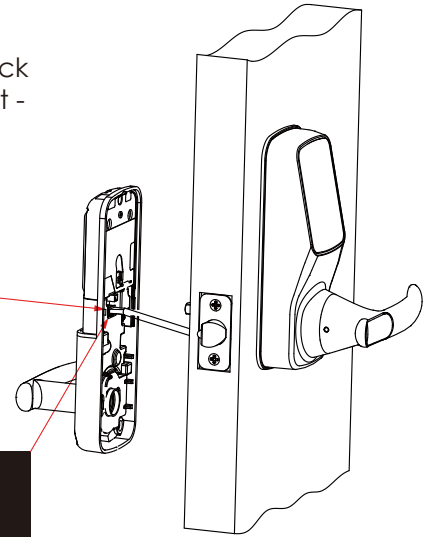
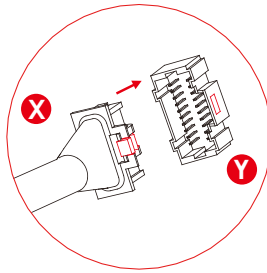
Remove the position rods **V** and replace them with screws **O**. Tighten clockwise until the mounting plate is secure.

**O1**  M4X25mm

**O2**  M4X32mm

Secure top with **O1** or **O2**

- 5** Plug **X** cable that is coming through the door into the lock interior **Y**. Match red side of the plug with red on socket - insert tightly.



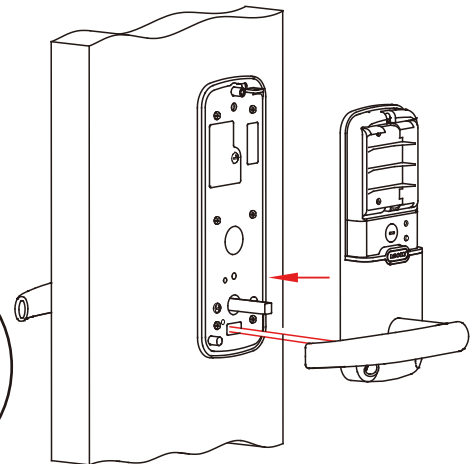
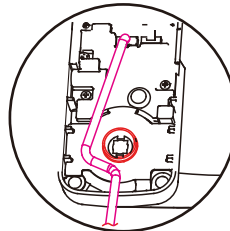
**NOTE:** If you need to disconnect the cable, make sure to press the snap tab to release the plug before carefully pulling it out. Do not force, as this may result in damaging the lock.

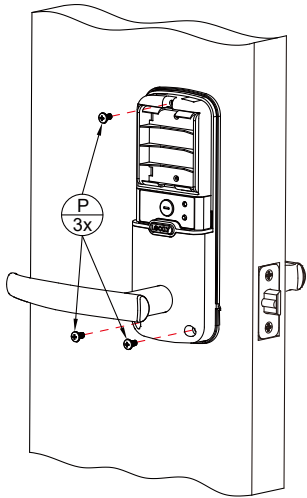
- 6** Align the square rod to the lock interior and attach the Interior lock to the Interior mounting plate.

While you are doing so, gently push some of the excess cable through the rectangular hole into the door.

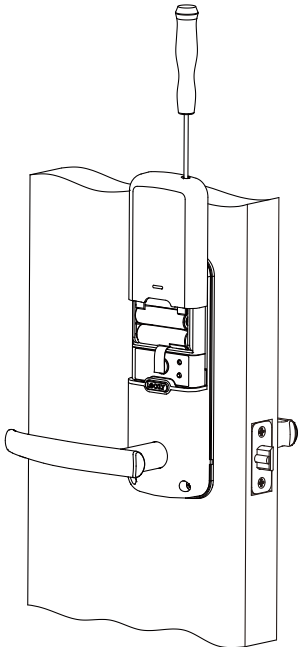
Place the remaining cable against the interior side of the lock interior so the lock interior sits securely onto the mounting plate.

Make sure the cable is away and not tangling with the square rod **C**





- 7** Once the lock interior is flush against the mounting plate, secure the lock to the plate by screwing clockwise using provided screws **P**.



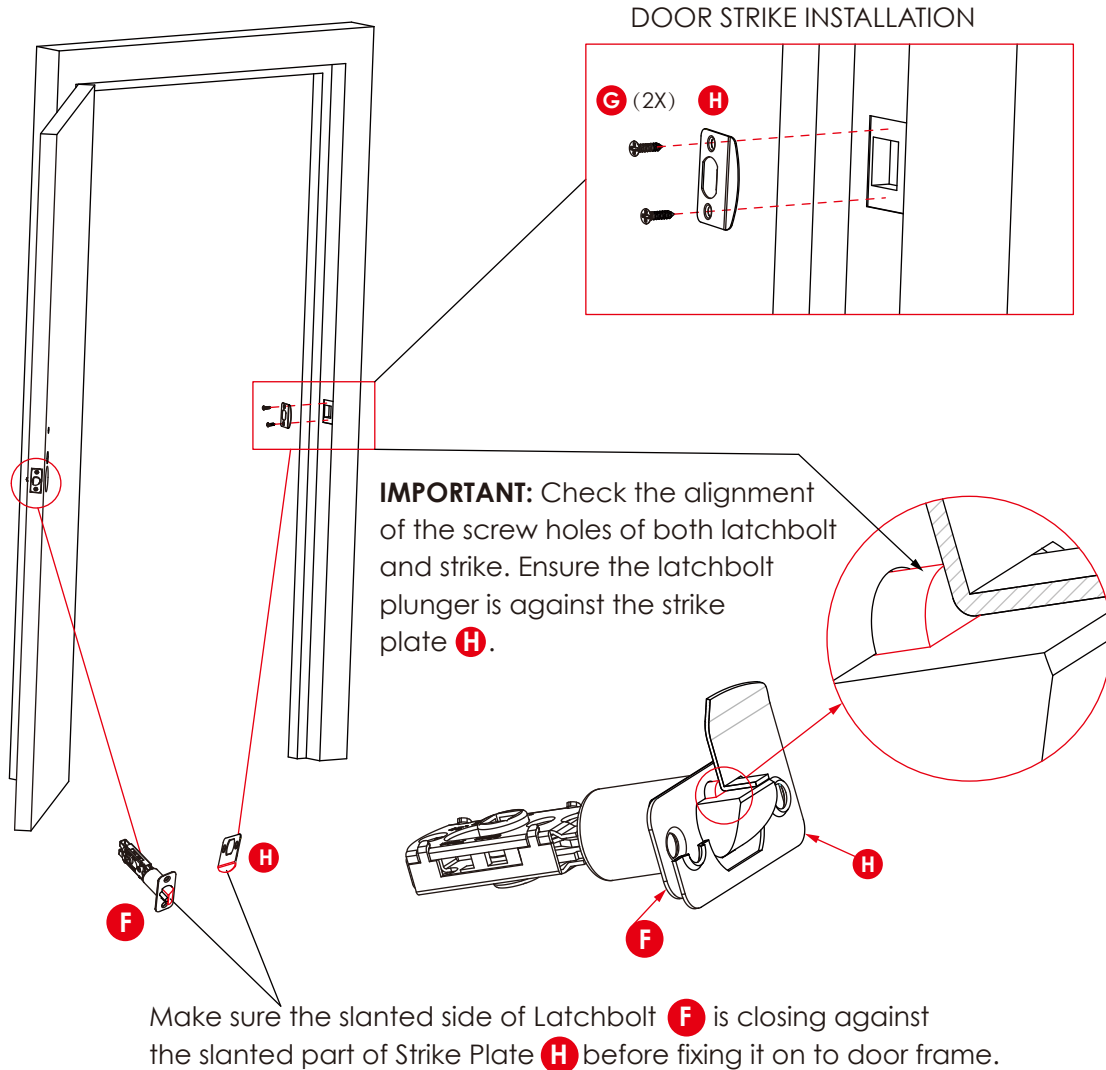
- 8** Insert 4 AA batteries into the lock by aligning the positive **+** and negative **-** orientation markings on the batteries to the battery chamber.

Secure the battery cover by sliding the cover over the lock and turning the screw clockwise on top until tight.

# Step 6

## INSTALLING THE DOOR STRIKE

Close your door to see if your lock closes securely with your existing door strike. If the lock closes securely, you may keep the existing door strike without removing the old hardware. However, it's recommended that you use our door strike.



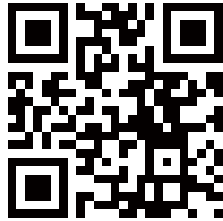


# Step 7

## DOWNLOAD THE LOCKLY® APP

Congratulations! You have completed the LOCKLY Model 6S physical lock installation. To complete your setup, download the LOCKLY app from the App Store or on Google Play and follow below on-screen instructions.

**Scan or visit  
LOCKLY.com/app**



# Add more **Smart** to your **Home**



## Secure Link Wi-Fi Hub

Add the optional LOCKLY Secure Link Wi-Fi Hub, together with the free LOCKLY app, it's easier than ever to securely control and manage your door from anywhere, anytime.

### **Real-time, monitoring, & status**

Monitor open/closed door status with real-time alerts sent to your smart phone, no matter where you are.

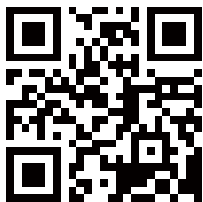


Control your LOCKLY from anywhere.



### **Grant access, even when you're not home**

Lock and unlock door from anywhere.



Available online at:  
[LOCKLY.com/hub](https://LOCKLY.com/hub)

### **Hands-free voice control**

Control and check your status using only your voice with Amazon Alexa or Google Assistant-enabled devices.



**FCC Warning :**

This device complies with Part 15 of the FCC Rules. Operation is subject to the following two conditions: (1) This device may not cause harmful interference, and (2) this device must accept any interference received, including interference that may cause undesired operation.

**NOTE 1:** This equipment has been tested and found to comply with the limits for a Class B digital device, pursuant to part 15 of the FCC Rules. These limits are designed to provide reasonable protection against harmful interference in a residential installation. This equipment generates, uses and can radiate radio frequency energy and, if not installed and used in accordance with the instructions, may cause harmful interference to radio communications. However, there is no guarantee that interference will not occur in a particular installation. If this equipment does cause harmful interference to radio or television reception, which can be determined by turning the equipment off and on, the user is encouraged to try to correct the interference by one or more of the following measures:

- Reorient or relocate the receiving antenna.
- Increase the separation between the equipment and receiver.
- Connect the equipment into an outlet on a circuit different from that to which the receiver is connected.
- Consult the dealer or an experienced radio/TV technician for help.

**NOTE 2:** Any changes or modifications to this unit not expressly approved by the party responsible for compliance could void the user's authority to operate the equipment.

**FCC Radiation Exposure Statement**

The Secure Link Wi-Fi Hub complies with FCC radiation exposure limits set forth for an uncontrolled environment. It should be installed and operated with minimum distance 20cm between the radiator & your body.

**IC WARNING**

This device contains licence-exempt transmitter(s) that comply with Innovation, Science and Economic Development Canada's licence-exempt RSS(s). Operation is subject to the following two conditions:

- (1) This device may not cause interference.
- (2) This device must accept any interference, including interference that may cause undesired operation of the device.

L'émetteur/récepteur exempt de licence contenu dans le présent appareil est conforme aux CNR d'Innovation, Sciences et Développement économique Canada applicables aux appareils radio exempts de licence. L'exploitation est autorisée aux deux conditions suivantes:

1. L'appareil ne doit pas produire de brouillage;
2. L'appareil doit accepter tout brouillage radioélectrique subi, même si le brouillage est susceptible d'en compromettre le fonctionnement.

**IC Radiation Exposure Statement**

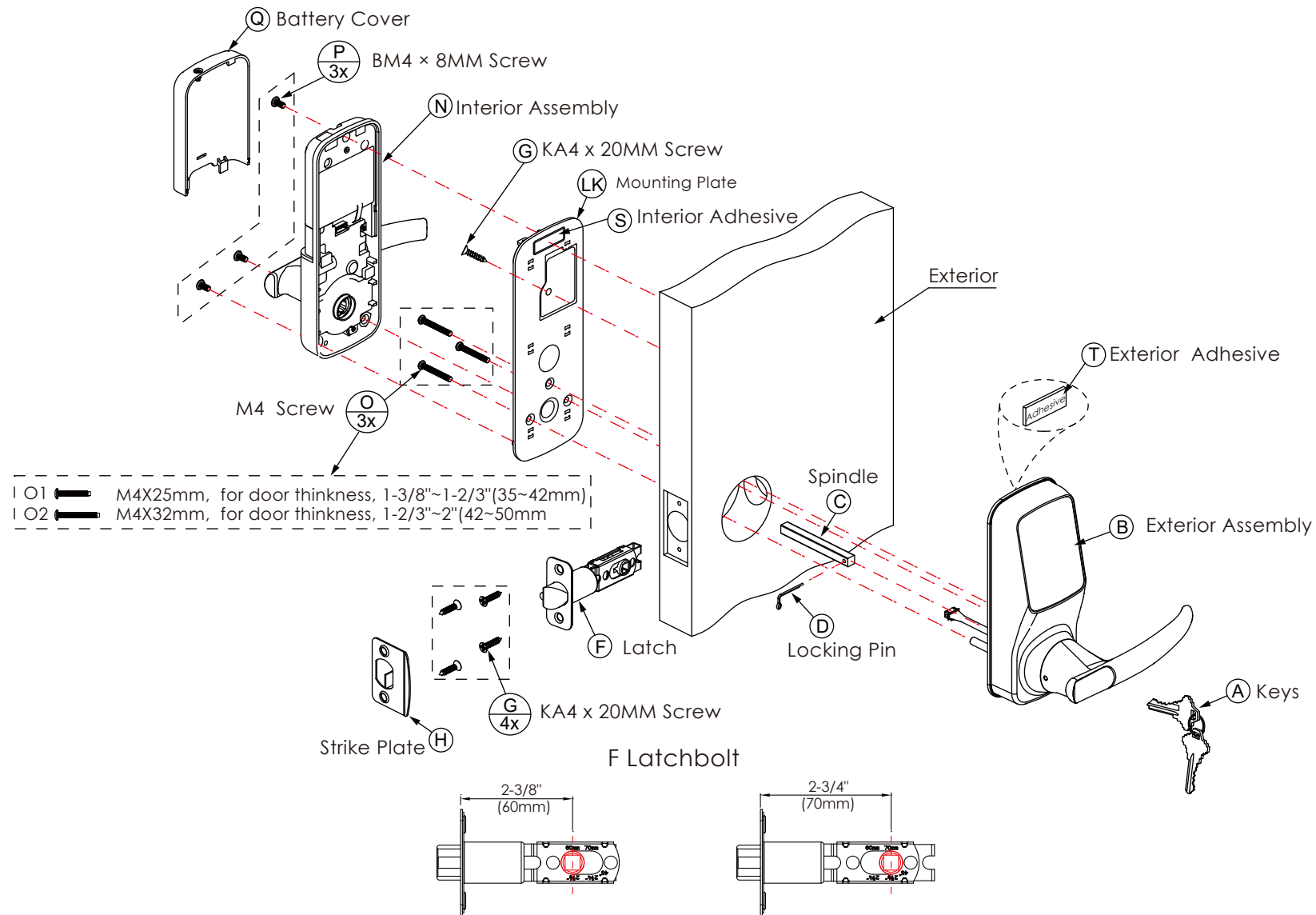
This equipment meets the exemption from the routine evaluation limits in section 2.5 of RSS-102. It should be installed and operated with a minimum distance of 20cm between the radiator and any part of your body.

Cet équipement est conforme à l'exemption des limites d'évaluation habituelle de la section 2.5 de la norme RSS-102. Il doit être installé et utilisé à une distance minimale de 20 cm entre le radiateur et toute partie de votre corps.



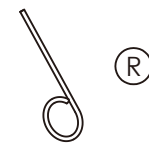
**WARNING:** This product can expose you to chemicals including Lead, which is known to the State of California to cause cancer. For more information go to [www.P65Warnings.ca.gov](http://www.P65Warnings.ca.gov).

# INSTALLATION OVERVIEW & PARTS LIST

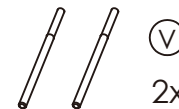


- I O1 M4X25mm, for door thickness, 1-3/8"~1-2/3"(35~42mm)
- I O2 M4X32mm, for door thickness, 1-2/3"~2"(42~50mm)

Measure distance between the center of the hole to the edge of door, adjust latch F to 2-3/8"(60mm) or 2-3/4"(70mm)



Pin insert for changing handle orientation



Positioning Rod For installing mounting plate (LK)



Activation Card



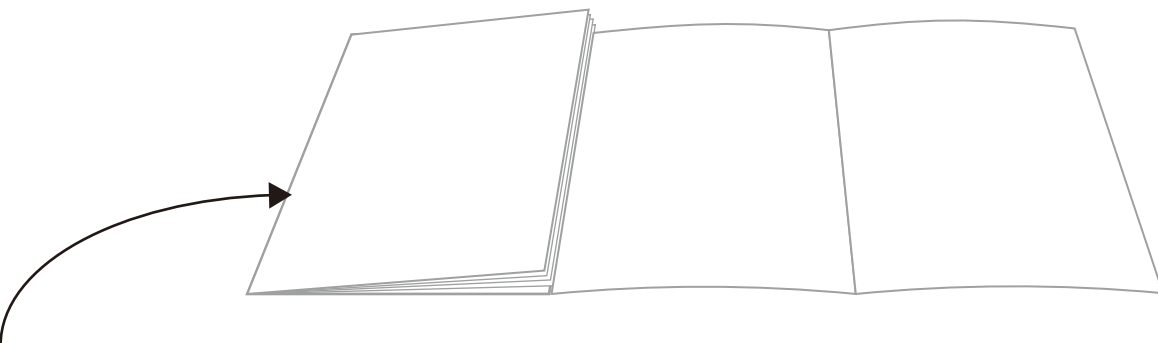
This lock can be installed for both right swing and left swing doors. The lock ships ready for a right swing door installation. If you wish you to change the orientation for a left swing door, follow step by steps instructions as provided on Installation Manual.

# Connect with us

---

@meetLOCKLY | #LOCKLY



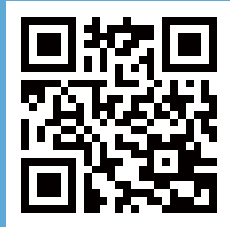


Reference installation parts overview foldout.

# LOCKLY<sup>®</sup> MODEL 6S

For the latest version of this manual, please visit the following link:

**[LOCKLY.com/help](https://LOCKLY.com/help)**



**We're here to help!**  
**[help@LOCKLY.com](mailto:help@LOCKLY.com)**

© Copyright 2021 LOCKLY<sup>®</sup> All rights reserved

CHINA 201310487970 | HONG KONG 1194496 | EUROPE 3059689 | AUSTRALIA 2013403169  
RUSSIA 2665222 | TAIWAN 621028 | KOREA 101860096 | INDONESIA 0020160364 | Other Patents Pending

The Bluetooth<sup>®</sup> word mark and logos are registered trademarks owned by the Bluetooth SIG, Inc. , and any use of such marks by LOCKLY is under license. Other trademarks and trade names are those of their respective owners. Google, Android, Google Play and Google Home are trademarks of Google LLC. , Amazon, Alexa and all related logos are trademarks of Amazon.com, Inc., or its affiliates.