

LOCKLY SECURE PRO



INSTALLATION GUIDE

LATCH EDITION

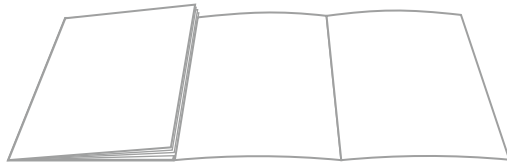
Go to [Lockly.com/installation](https://lockly.com/installation) to watch a video version of this installation guide.

OR

Download the BILT app in the App Store or on Google Play for step-by-step interactive 3-D walk-through installation instructions.

Welcome!

This guide will walk you through step-by-step how to install and get your Lockly Secure Pro up and running. Installation generally takes less than 30 minutes. If you have any questions please reference our online support at: [Lockly.com/support](https://lockly.com/support) or call (669) 500-8835 for help.

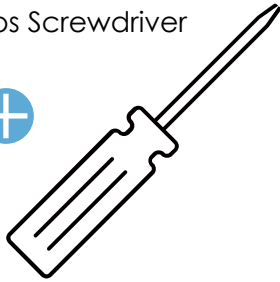


Reference installation parts overview foldout on back page

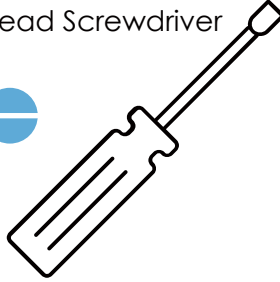
Preparation

To complete the installation you will need:

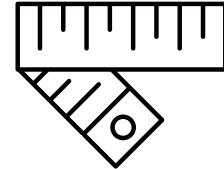
Phillips Screwdriver



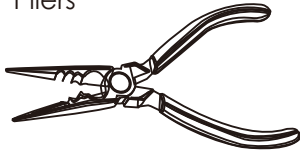
Flathead Screwdriver



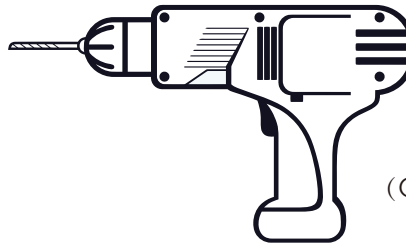
Tape measure or ruler



Pliers



Screwdriver with drill bits

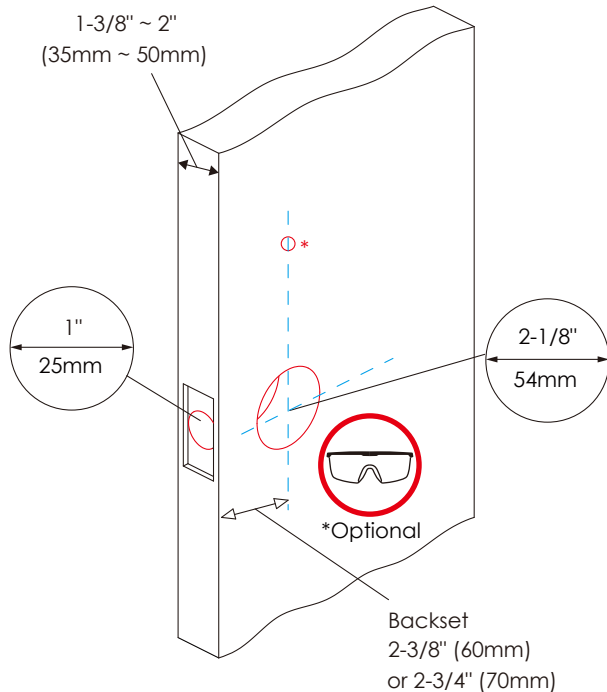


(Optional)

Drilling is not required to install the lock, and is optional. However if you are installing your lock on a brand new door, a drill is required if there are no holes prepared for lock installation.

Preparation

Remove existing door hardware, latch or deadbolts before installing the new lock. Use provided template to bore new holes if needed.



- 1 Measure and confirm your door is between 1-3/8" ~ 2" (35mm - 50mm).
- 2 Measure and confirm the hole in the door is 2-1/8" (54mm) .
- 3 Measure and confirm that the backset is between 2-3/8" (60mm) to 2-3/4" (70mm).
- 4 Measure and confirm that hole in the door edge is 1" (25mm).

IMPORTANT NOTICE

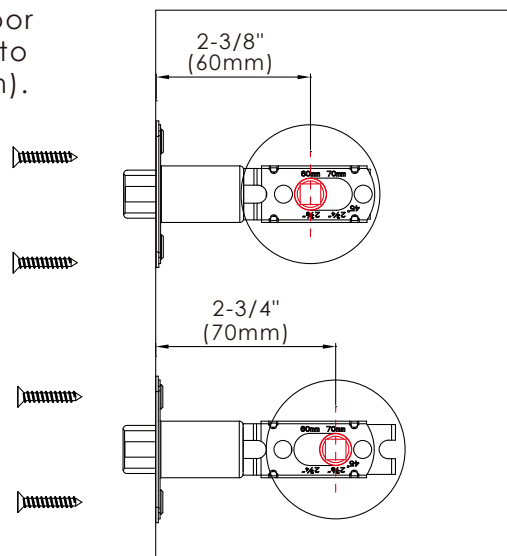
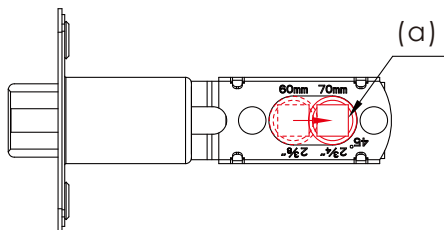


* You are not required to drill an extra hole on your door. We have provided double sided Adhesive tape for you to help stabilize the lock during installation. Only drill a hole if you wish to have added stability. Please refer to the provided template for drilling if needed. Use goggles to protect eyes if you need to drill door holes.

Step 1

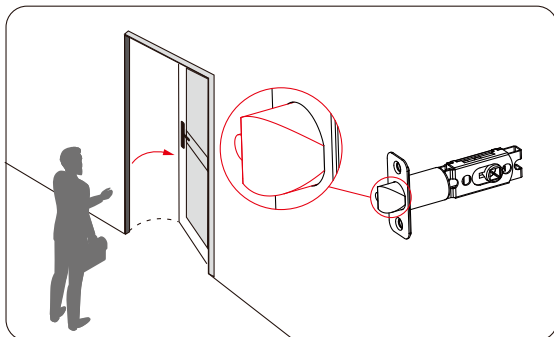
INSTALLING THE LOCKSET

Measure the distance between center of front door hole to the edge of your door. Push the shaft (a) to adjust the lockset to 2-3/8" (60mm) or 2-3/4" (70mm).



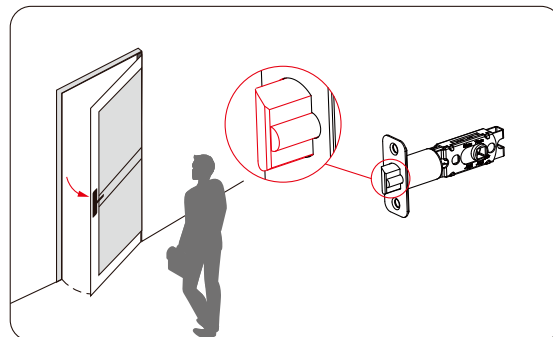
Facing the door exterior, install the lockset according to the opening direction of your door.

In-swing Door



OR

Out-swing Door



Secure lockset with provided  screws.

Step 2

CHANGING HANDLE FOR RIGHT OR LEFT SWING DOORS

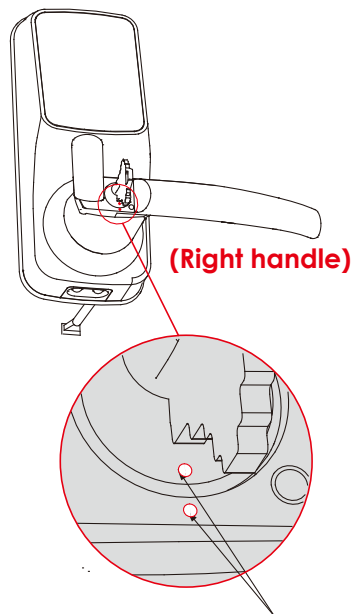
Determine right swing or left swing door

While facing the door from the inside, if hinges are on the right side you have the right swinging door. If hinges on the left side you have a left swinging door.

The lock ships set for **right swing doors**. Skip STEP 2 if your door is a **right swing door**. See steps below to change door handle orientation for a **left swing door**.

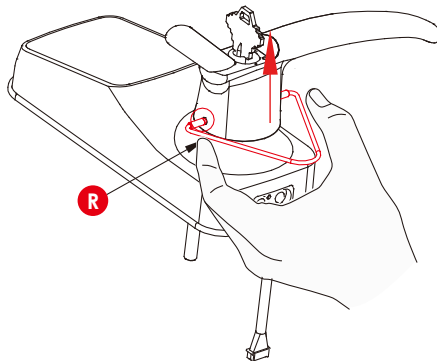
Changing the Exterior Handle Orientation

1



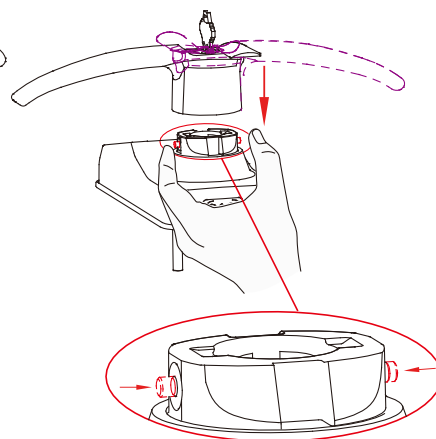
Insert key and rotate lock face so that the two white dots align as shown.

2



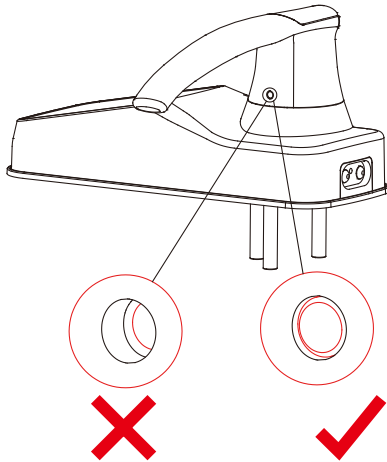
Use the provided pin insert **R** to push the metal pin located at the 3 o'clock of the the base handle, then the other pin at 9 o'clock position. Remove the handle once the pins are compressed.

3



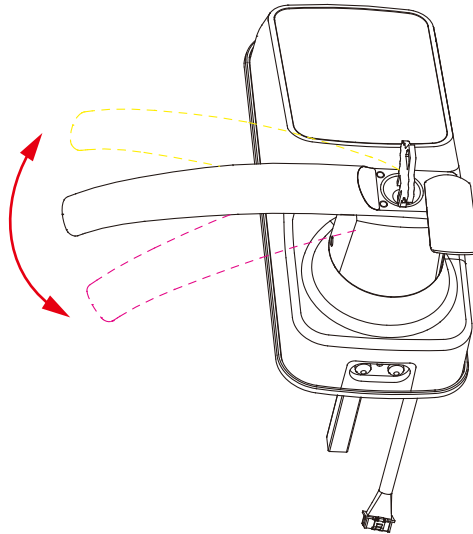
Rotate the handle 180° to the other side of the lock.

Using your fingers, press the two pins located on the left and right side of the the lock to insert the handle back onto the lock.



4

Confirm that your installation was complete by checking if the pins are flush against the handle, and has popped out. Adjust the handle accordingly to make sure the pins are fully decompressed and sits flush against the surface.

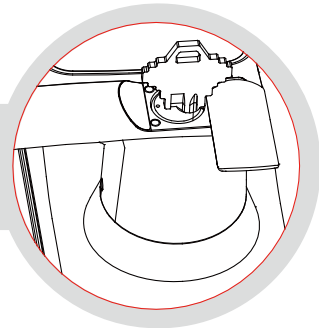


5

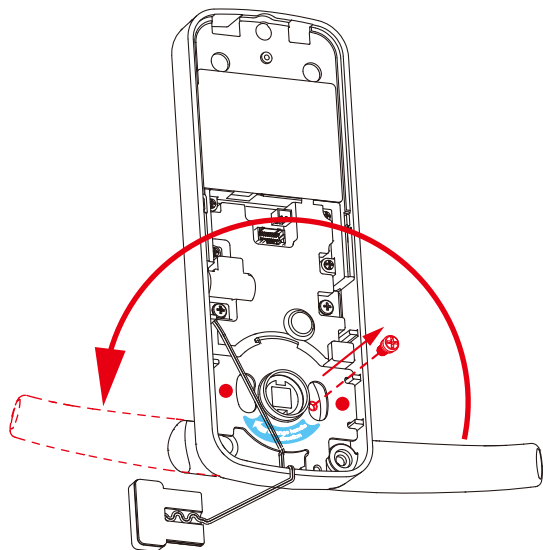
Check that your handle works smoothly by giving it a turn up and down.

6

Twist key back to horizontal position. The key can be taken out once it goes back to the horizontal position.

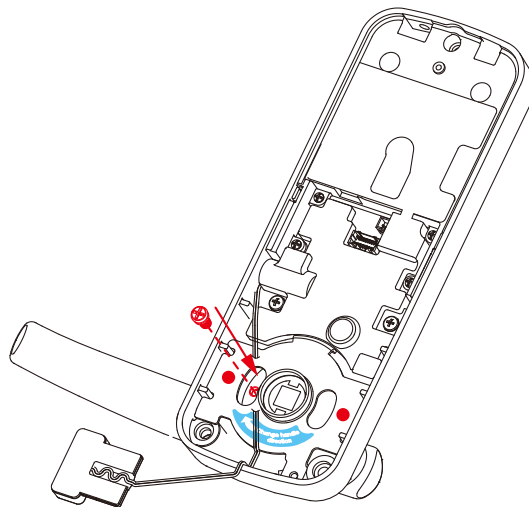


Changing the Interior Handle Orientation



1

Remove the screw by turning counter clockwise and rotate the handle 180° in the direction of the arrow as shown. Make sure the screw hole is aligned with the marker as illustrated.



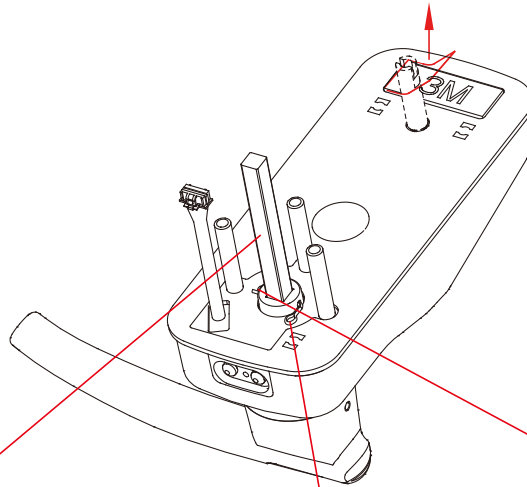
2

Securely screw clockwise as shown to complete your handle orientation change.

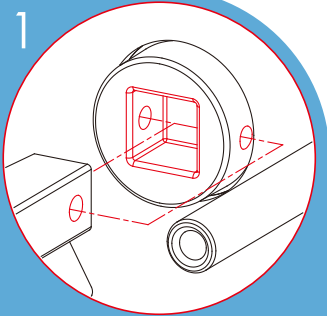
Step 3

PREPARING LOCK FOR INSTALLATION

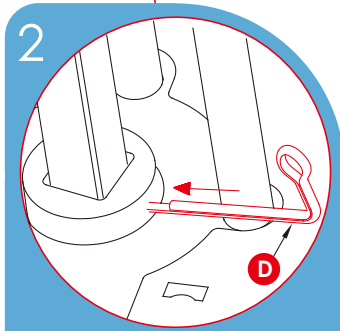
If you drilled a hole in Preparation, use Slotted Barrel Extension **U** and securely tighten with a flat head screwdriver by turning it clockwise onto the lock. If you did not drill a hole in Preparation, you can leave this pole removed.



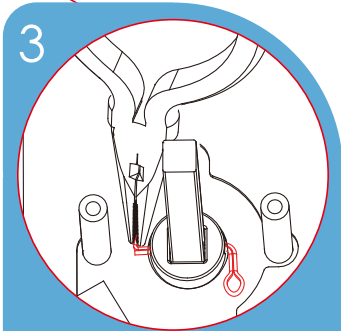
4 Peel paper layer OFF the Adhesive tape and prepare for installation.



1 Install Spindle **C** with the holes side into the base of the lock and align the holes locate in the 3 o'clock and 9 o'clock position.



2 Insert locking pin **D** in to the hole as shown above.

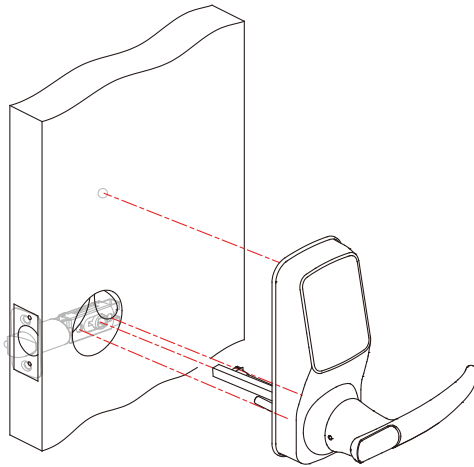


3 Carefully bend the end of the locking pin **D** with a needle nose pliers.

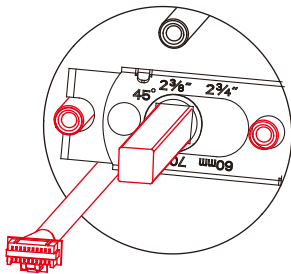
Failure to bend the locking pin and turn the handle freely without obstruction will result to malfunction.

Step 4

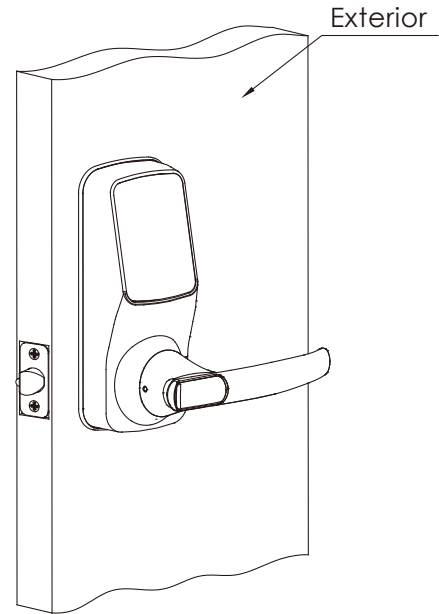
INSTALLING THE LOCK (EXTERIOR)



- 1** Install the exterior lock as shown to the left by aligning the lock straight and passing the cable and attached rods through the lockset.



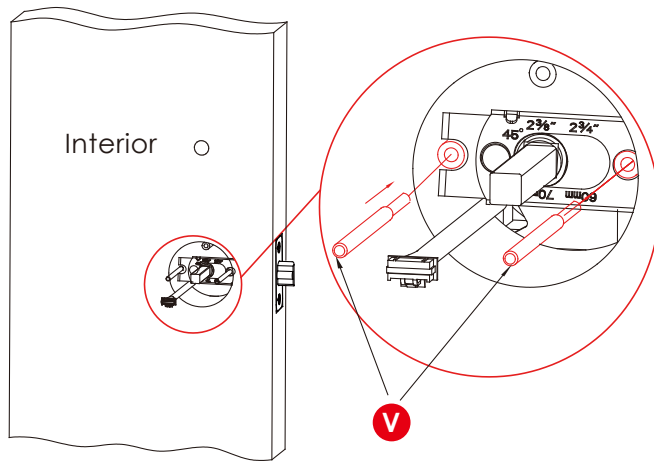
- 2** Pass the Spindle **C** through the center of the lockset, and the round rods through the sides in their respective holes. **The cable should run underneath the lockset.**



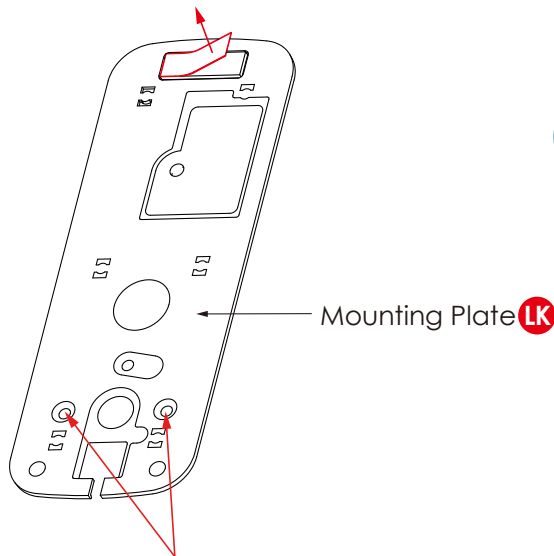
- 3** Align the lock straight and press hard (if you use the Adhesive tape in step 3.4) to secure the top of the lock.

Step 5

INSTALLING THE LOCK (INTERIOR)



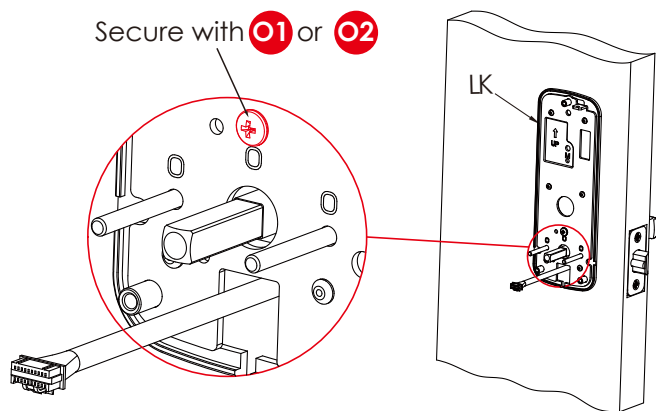
- 1 Insert Positioning Rods **V** into the holes to the left and right of the Spindle **C**. The holes are located at the 3 o'clock and 9 o'clock positions.



Positioning rods slide through these holes.

- 2 Interior Mounting Plate **LK** will go against the interior side of your door. Remove the paper layer off of the Adhesive Tape and align the positioning rods on the bottom of the plate to the corresponding left and right holes.

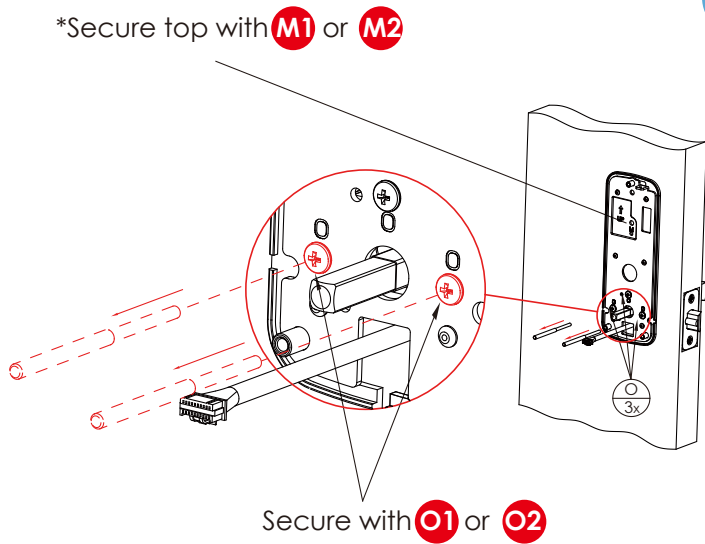
Install the side with the black plastic seal against the door.



3

Pull the cable from the lock exterior through the rectangular hole underneath the positioning rods and spindle.





Secure the hole above the spindle with screws **O1**.



4

Remove the position rods **V** and replace them with screws **O**. Tighten clockwise until the mounting plate is secure.

* If you have drilled a hole on the top in Preparation, please secure the hole with screw M1 or M2 depending on your door thickness. Skip this if no hole was drilled in Preparation.

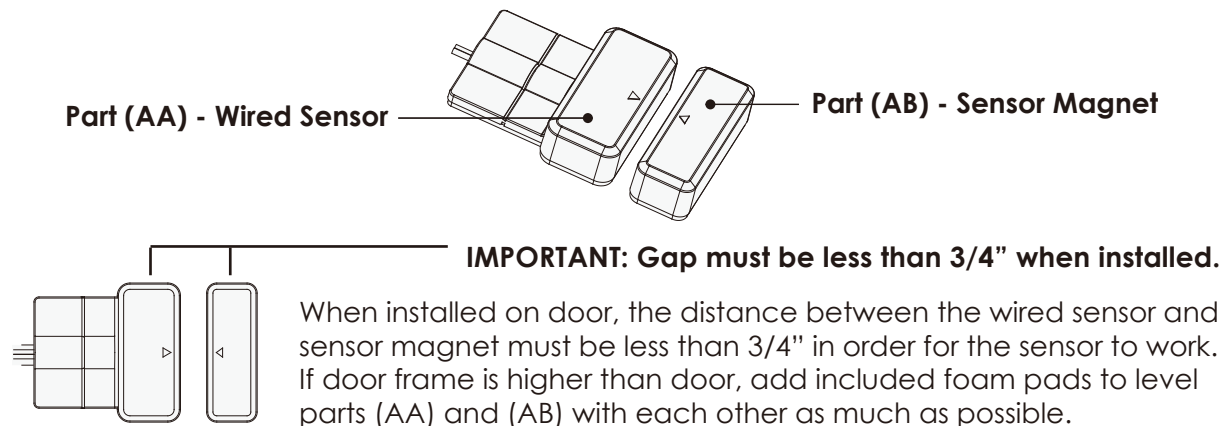
- M1**  PM5 x 25mm
- M2**  PM5 x 35mm
- O1**  PM4 x 25mm
- O2**  PM4 x 32mm

Do not mount (install) door sensors yet. You will install in step 9.

About door sensors

Door sensors provide real-time door condition status, such as the ability to verify if the door is securely closed. It also sends push notifications to your phone whenever your door opens and enables voice control with Amazon Alexa or Google assistant.

Lockly Secure Pro comes with a pre-wired door sensors consisting of two parts:



TIP :

Lockly door sensors comes in Grey (PGA063) and Matte Black (PGA064) that can be ordered through our customer hotline: (669) 500-8835 or by email: help@Lockly.com.

Removal of Sensor (optional)

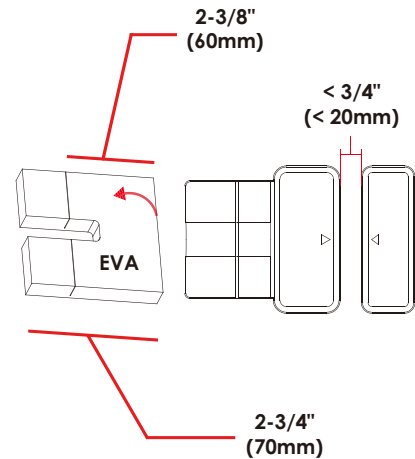
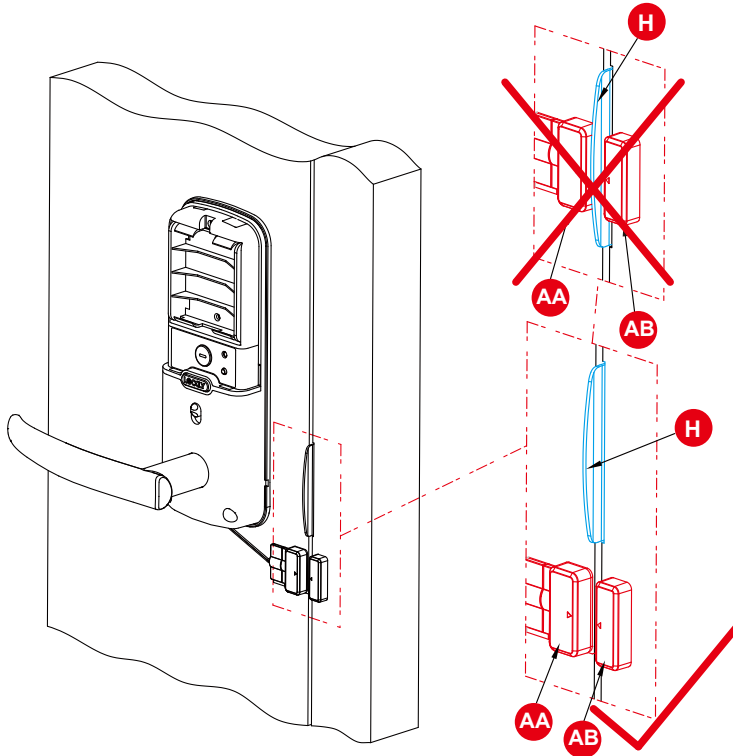
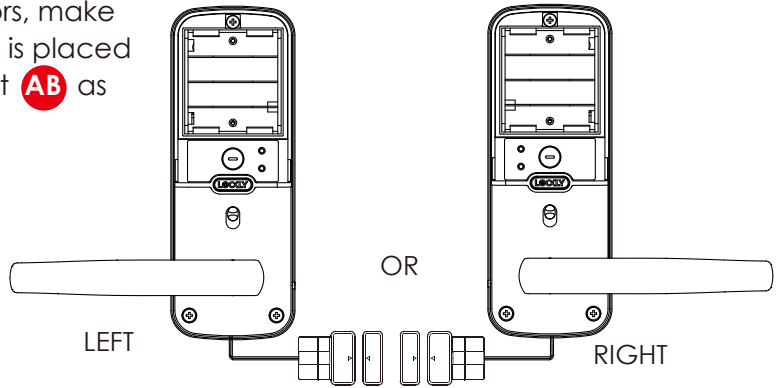
There may be circumstances where the sensor cannot be installed because of molding/door limitations or is not aesthetically desirable. The sensor wired to the lock is removable by carefully pulling its connector from the circuit board. **If removed, some features and functionality will not be available, such as real-time condition status.**

Step 6 continued

PREPARING DOOR SENSORS FOR INSTALLATION

When you are installing the door sensors, make sure the arrow of the wired sensor **AA** is placed next to the arrow of the sensor magnet **AB** as close as possible.

IMPORTANT: Do not install the sensor close to the strike plate **H**.



If needed add Foam Pads to level AA & AB as much as possible.

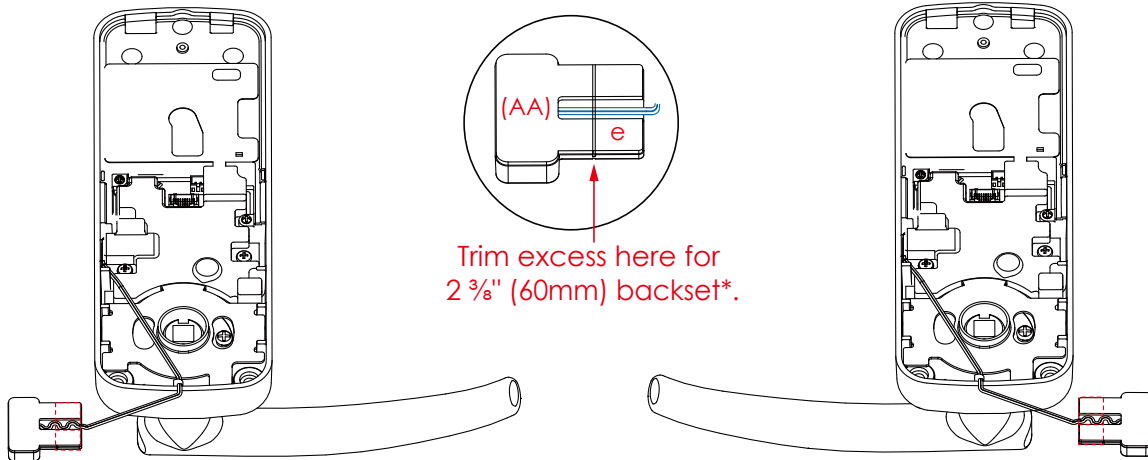
1

The interior assembly comes with the pre-installed wired door sensor setup for a right swing doors with 2 $\frac{3}{4}$ " (70mm) backset*.

Trim excess part (e) for doors with 2 $\frac{3}{8}$ " (60mm) backset as shown below.

2

For left swing doors, re-route the door sensor wire through the side channel. Trim excess part (e) for doors with 2 $\frac{3}{8}$ " (60mm) backset as shown below.



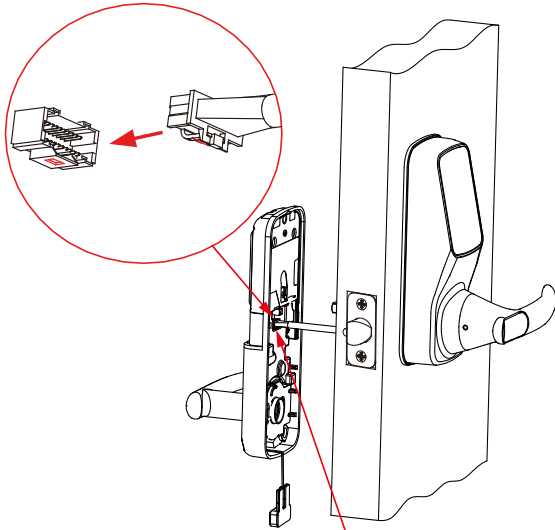
***Backset - measure the distance of the door edge to the center of the door hole.**

DO NOT INSTALL THE SENSORS YET

Step 7

INSTALLING THE LOCK INTERIOR (N)

- 1 Plug the cable that is coming through the door into the lock interior.



Plug **X** into **Y**, match red side of plug with red on socket - insert tightly.

NOTE: If you need to disconnect the cable, make sure to press the snap tab to release the plug before carefully pulling it out. Do not force, as this may result in damaging the lock.

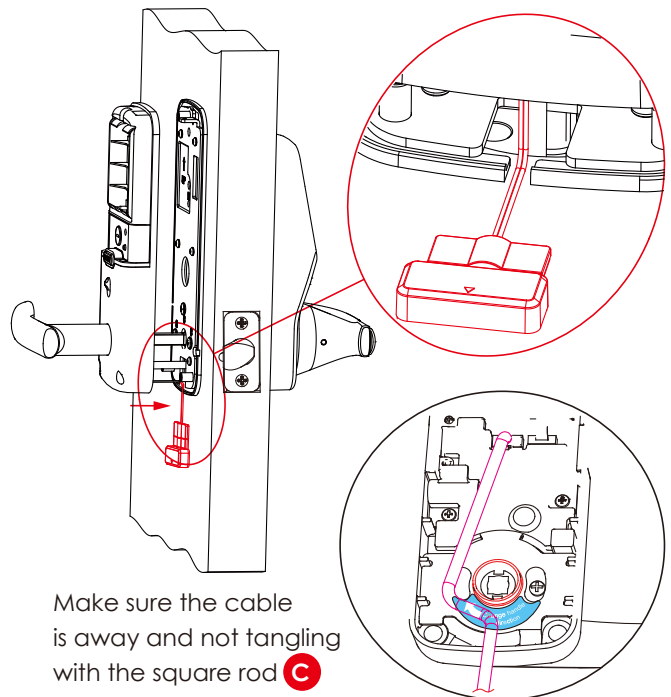


- 2 Align the square rod to the lock interior and attach the interior lock to the Interior mounting plate.

While you are doing so, gently push some of the excess cable through the rectangular hole into the door.

Tuck the sensor wire on the side channel of the mounting plate as shown.

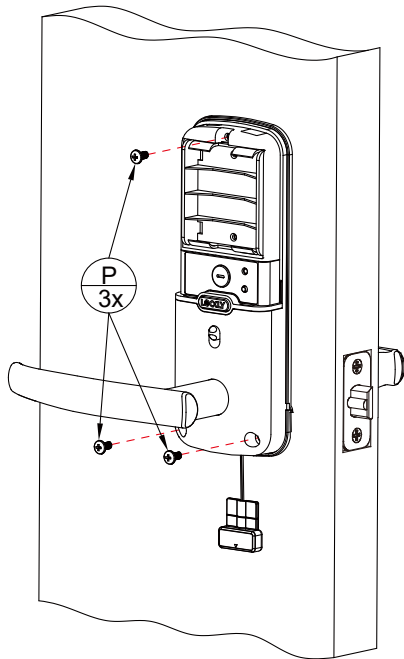
Place the remaining cable against the interior side of the lock interior so the lock interior sits securely onto the mounting plate.



Make sure the cable is away and not tangling with the square rod **C**

3

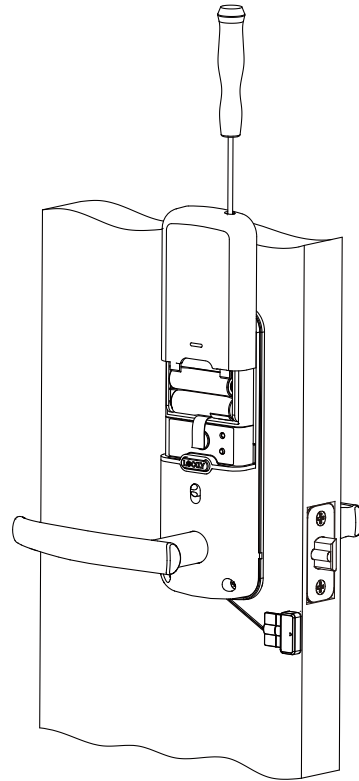
Once the lock interior is flush against the mounting plate, secure the lock to the plate by screwing clockwise using provided screws **P**.



4

Insert 4 AA batteries into the lock by aligning the positive **+** and negative **-** orientation markings on the batteries to the battery chamber.

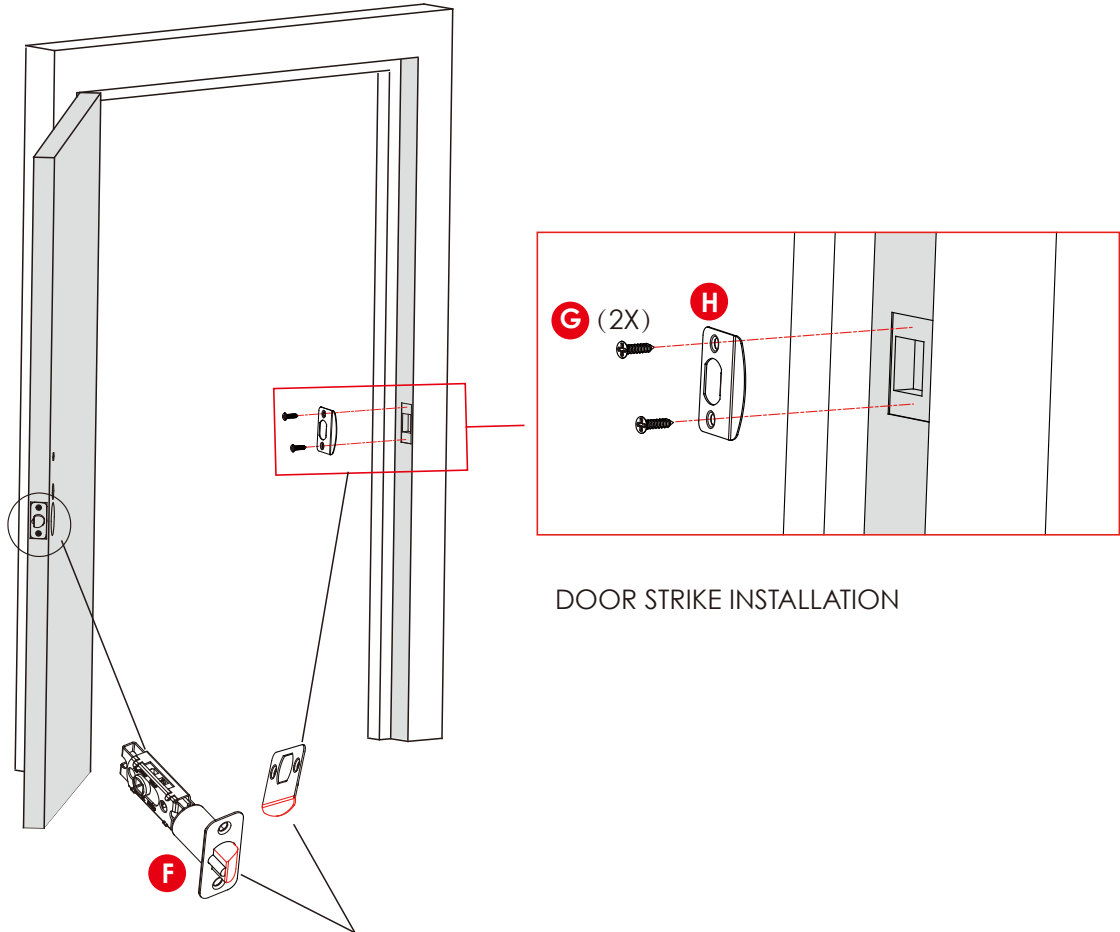
Secure the battery cover by sliding the cover over the lock and turning the screw clockwise on top until tight.



Step 8

INSTALLING THE DOOR STRIKE

Close your door to see if your lock closes securely with your existing door strike. If the lock closes securely, you may keep the existing door strike without removing the old hardware. However, it's recommended that you use our door strike.



DOOR STRIKE INSTALLATION

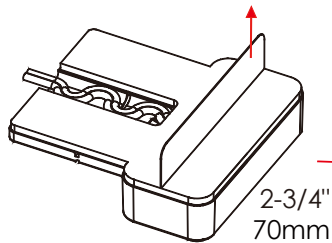
Make sure the slanted side of Latchbolt **F** is closing against the slanted part of Strike Plate **H** before fixing it on to door frame.

Step 9

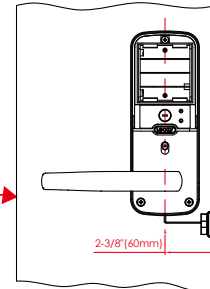
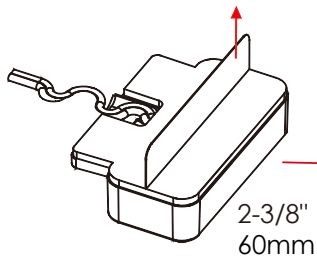
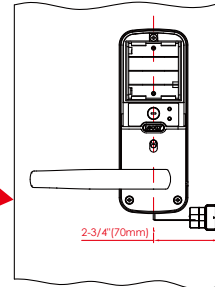
INSTALLING THE DOORS SENSOR

Make sure you have prepared the door sensors for installation according to Step 6

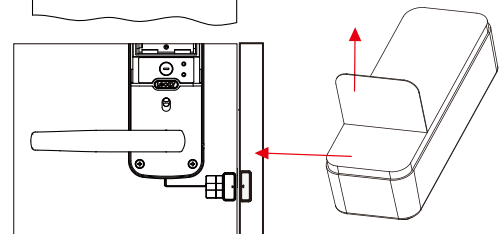
- 1** Peel off the paper layer of the adhesives from the back of the wired sensor (AA).



- 2** Position the wired sensor (AA) to the edge of the door, avoiding the door strike plate. Attach and secure with the adhesives.



- 3** Close the door. Before you peel off the paper layer of the adhesives from the sensor magnet (AB), align the arrow with the wired sensor (AA). Install (AB) on to door frame.



NOTE: The arrows must be aligned or as closed as possible (less than 3/4"). If needed, adjust the position of the sensor magnet using provided foam pads to ensure the Lockly logo blinks red when door opens or closes.

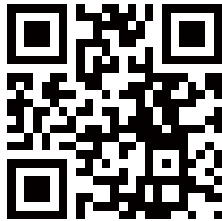
Step 10

DOWNLOAD LOCKLY APP

You have completed the Lockly physical lock installation. To enable live monitoring and voice control with Google Assistant or Amazon Alexa, you will need to setup the included Secure Link Wi-Fi hub and pair it with the Lockly Secure Pro smart lock door sensors.

Before connecting Secure Link Wi-Fi hub download the Lockly app on your smartphone. It's required to finish setup and to set (pair) the connection between hub and lock.

**Scan or visit
Lockly.com/app**

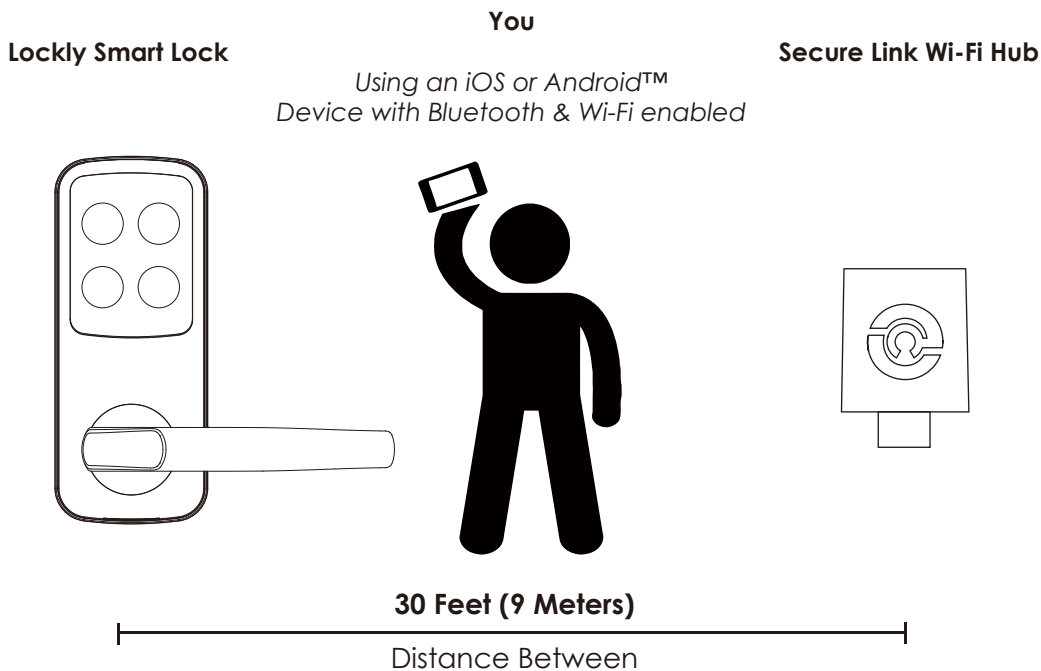


Step 11

SETTING UP THE SECURE LINK WI-FI HUB

To set up your Lockly Secure Pro, choose an appropriate location for the Secure Link Wi-fi Hub for optimum performance (see below). For optimum connectivity, it is recommended that the hub be no further away from the lock than 30 feet (9 meters).

During the setup process position yourself between the lock and the Secure Link Wi-Fi Hub—ideally no more than 30 feet (9 meters) apart. Ensure your iOS or Android device has both Bluetooth and Wi-Fi enabled.



TIP: The Secure Link requires a strong wireless signal for optimal performance. Make sure the Secure Link will be installed in a location with a strong 2.4 Ghz wireless signal. Sometimes distances between Wi-Fi hub and lock can vary due to circumstances. If you are having difficulty setting up optimal range of 30/ft or less, we're here to help. Call our customer care team: (669) 500 8835, or visit [Lockly.com/help](https://www.lockly.com/help) for suggestions and troubleshooting tips.

Plug the Secure Link Wi-Fi Hub into the 5V 1A USB AC adapter and plug the AC adapter to your wall socket.



USA Outlet Shown

A **GREEN** LED indicator light will flash slowly to indicate that the Wi-Fi Hub is ready to connect.



LED Indicator is located next to the Setup Button

Once you have confirmed that your Secure Link Wi-Fi Hub is ready to connect to your lock, open the Lockly App from your smartphone. **Make sure you are standing between the Wi-Fi hub and Lockly smart lock**, then Add New Device and follow the on screen instructions.

Step 12

CONNECTING YOUR LOCKLY SECURE PRO

The App will take you through the following steps, make sure the smart lock has been properly installed. You will need your activation card that is included in the box to proceed.

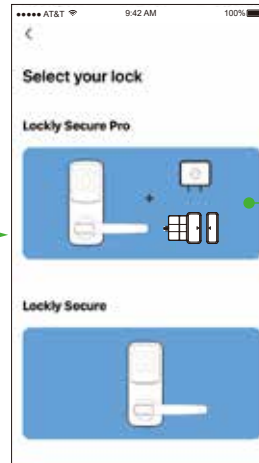
ADD NEW DEVICE



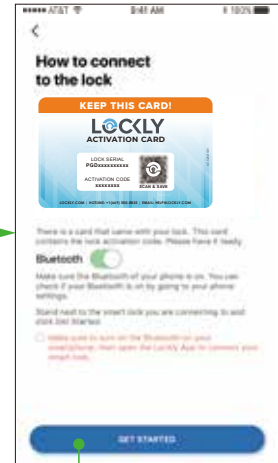
Select A Device



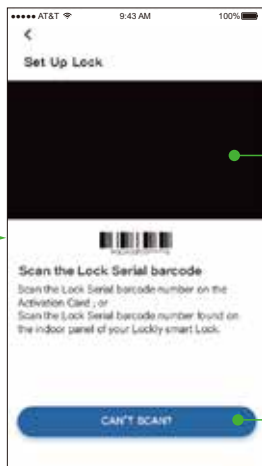
Select Lockly Secure Pro



GET STARTED



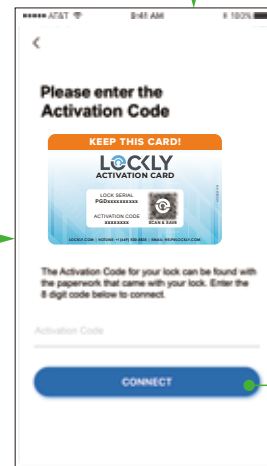
Scanning LOCK SERIAL



If you can't scan LOCK SERIAL, Then enter manually

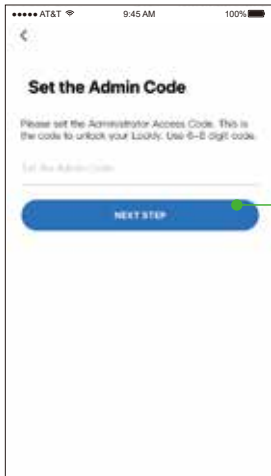


Input Activation Code



Turn to the next page

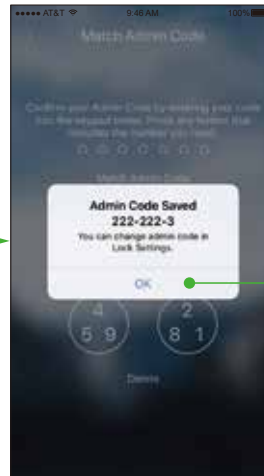
Set the Admin Code



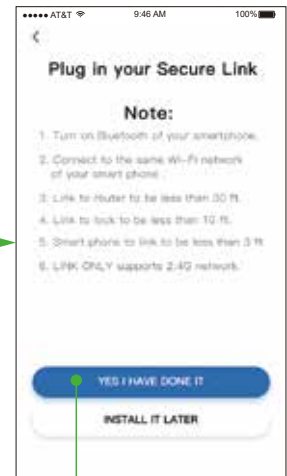
Confirm lock password



Password setting OK



Plug in your Secure Link and Click "YES"



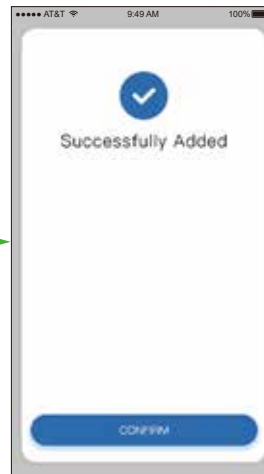
Set Wi-Fi



Click "Yes" when the green light is on



Successfully Added



Congratulations! Your Lockly Secure Pro is now set up.

You may proceed to Add the Door Sensors.

Hands-free voice control

Control and check your status using only your voice with Amazon Alexa or Google Assistant-enabled devices.



"Alexa, is my Front Door locked?"



"Your Front Door is locked"

To setup your lock to work with either voice assistant, download the Amazon Alexa or Google Home App and add a new Amazon Alexa Skill or Lockly Action on Google.



TIP: In Google Home or Amazon Alexa app, add Lockly skill for Alexa or Lockly Action on Google, then follow on screen instructions. See full list of commands, help videos, or troubleshooting your Lockly at <https://Lockly.com/help>

Google, Android, Google Play and Google Home are trademarks of Google LLC.

FCC Warning :

This device complies with Part 15 of the FCC Rules. Operation is subject to the following two conditions: (1) This device may not cause harmful interference, and (2) this device must accept any interference received, including interference that may cause undesired operation.

NOTE 1: This equipment has been tested and found to comply with the limits for a Class B digital device, pursuant to part 15 of the FCC Rules. These limits are designed to provide reasonable protection against harmful interference in a residential installation. This equipment generates, uses and can radiate radio frequency energy and, if not installed and used in accordance with the instructions, may cause harmful interference to radio communications. However, there is no guarantee that interference will not occur in a particular installation. If this equipment does cause harmful interference to radio or television reception, which can be determined by turning the equipment off and on, the user is encouraged to try to correct the interference by one or more of the following measures:

- Reorient or relocate the receiving antenna.
- Increase the separation between the equipment and receiver.
- Connect the equipment into an outlet on a circuit different from that to which the receiver is connected.
- Consult the dealer or an experienced radio/TV technician for help.

NOTE 2: Any changes or modifications to this unit not expressly approved by the party responsible for compliance could void the user's authority to operate the equipment.

FCC Radiation Exposure Statement

The Secure Link Wi-Fi Hub complies with FCC radiation exposure limits set forth for an uncontrolled environment. It should be installed and operated with minimum distance 20cm between the radiator & your body.

IC WARNING

This device contains licence-exempt transmitter(s) that comply with Innovation, Science and Economic Development Canada's licence-exempt RSS(s). Operation is subject to the following two conditions:

- (1) This device may not cause interference.
- (2) This device must accept any interference, including interference that may cause undesired operation of the device.

L'émetteur/récepteur exempt de licence contenu dans le présent appareil est conforme aux CNR d'Innovation, Sciences et Développement économique Canada applicables aux appareils radio exempts de licence. L'exploitation est autorisée aux deux conditions suivantes:

1. L'appareil ne doit pas produire de brouillage;
2. L'appareil doit accepter tout brouillage radioélectrique subi, même si le brouillage est susceptible d'en compromettre le fonctionnement.

IC Radiation Exposure Statement

This equipment meets the exemption from the routine evaluation limits in section 2.5 of RSS-102. It should be installed and operated with a minimum distance of 20cm between the radiator and any part of your body.

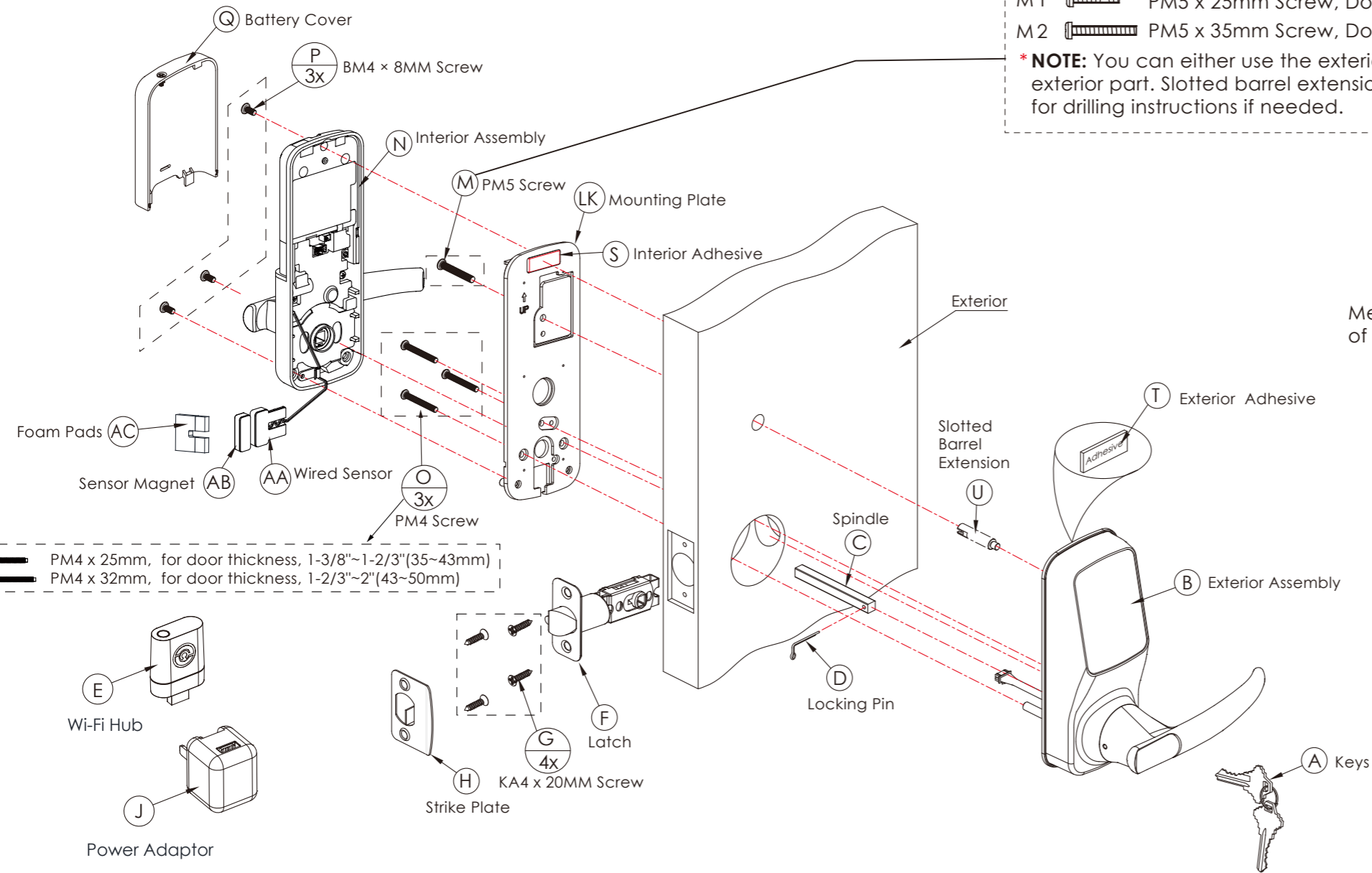
Cet équipement est conforme à l'exemption des limites d'évaluation habituelle de la section 2.5 de la norme RSS-102. Il doit être installé et utilisé à une distance minimale de 20 cm entre le radiateur et toute partie de votre corps.



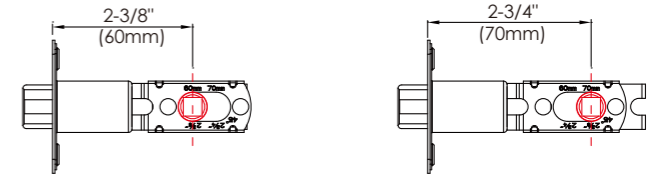
WARNING: This product can expose you to chemicals including Lead, which is known to the State of California to cause cancer. For more information go to www.P65Warnings.ca.gov.

INSTALLATION OVERVIEW & PARTS LIST

This lock can be installed for both right swing and left swing doors. The lock ships ready for a right swing door installation. If you wish to change the orientation of the lock for a Left Swing door, follow instructions on Installation Guide **(Step 2)** or the BILT App **(Step 10)**.

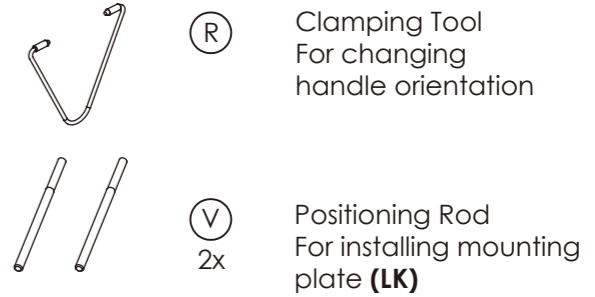


M1 PM5 x 25mm Screw, Door thickness 1-3/8"~1-2/3"(35~43mm)
 M2 PM5 x 35mm Screw, Door thickness 1-2/3"~2"(43~50mm)
*** NOTE:** You can either use the exterior adhesive **(T)** or slotted barrel extension **(U)** to stabilize the exterior part. Slotted barrel extension **(U)** requires drilling an extra hole. Use provided Template for drilling instructions if needed.



Measure distance between the center of the hole to the edge of door, adjust latch F to 2-3/8"(60mm) or 2-3/4"(70mm)

O1 PM4 x 25mm, for door thickness, 1-3/8"~1-2/3"(35~43mm)
 O2 PM4 x 32mm, for door thickness, 1-2/3"~2"(43~50mm)



KEEP THIS CARD!

LOCKLY
ACTIVATION CARD

LOCK SERIAL
PGDxxxxxxxxxx

ACTIVATION CODE
xxxxxxxxxx

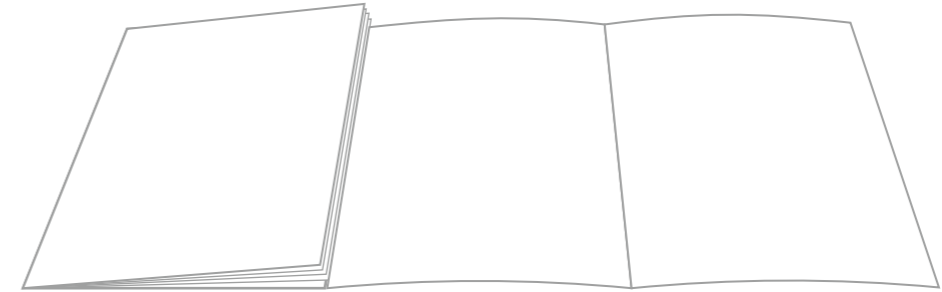
SCAN & SAVE

LOCKLY.COM | HOTLINE: +1(649) 500-8835 | EMAIL: HELP@LOCKLY.COM

(W)
Activation Card

Connect with us

@meetlockly | #lockly



Reference installation parts overview foldout.

LOCKLY SECURE PRO

For the latest version of this manual, please visit the following link:
[Lockly.com/help](https://lockly.com/help)



We're here to help!
help@lockly.com

© Copyright 2021 Lockly All rights reserved

CHINA ZL 2013 1 0487970.4 | HONG KONG HK1194496 | TAIWAN 621028 | EUROPE EP3 059 689 B1 | AUSTRALIA 2013403169 | RUSSIA RU2665222 | KOREA 10-1860096 | INDONESIA IDP000064051 | Other Patents Pending

The Bluetooth® word mark and logos are registered trademarks owned by the Bluetooth SIG, Inc. , and any use of such marks by Lockly is under license. Other trademarks and trade names are those of their respective owners. Google, Android, Google Play and Google Home are trademarks of Google LLC. , Amazon, Alexa and all related logos are trademarks of Amazon.com, Inc., or its affiliates.