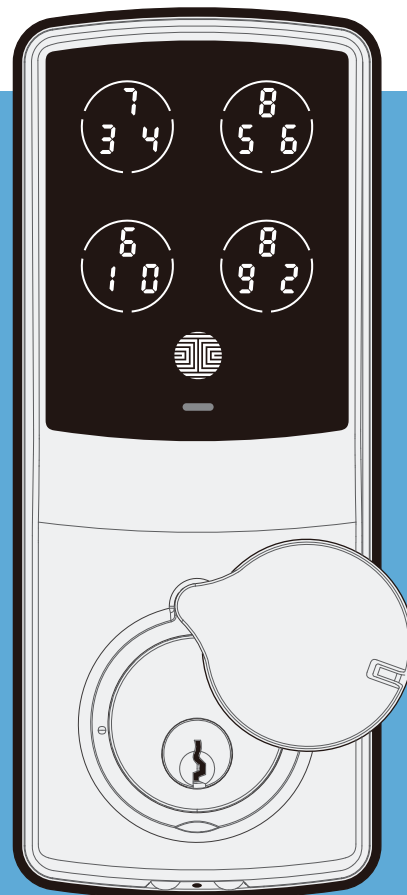


LOCKLY[®] PRO

INSTALLATION GUIDE

**HOOK SMART LOCK
MORTISE EDITION**



Go to [LOCKLY.com/pages/installation](https://lockly.com/pages/installation) to watch a video version of this installation guide.

OR

Download the BILT app in the Apple or Google Play store for step-by-step interactive 3-D walk-through installation instructions. *(Available for selected models)*

Connect with us

@meetlockly | #LOCKLY

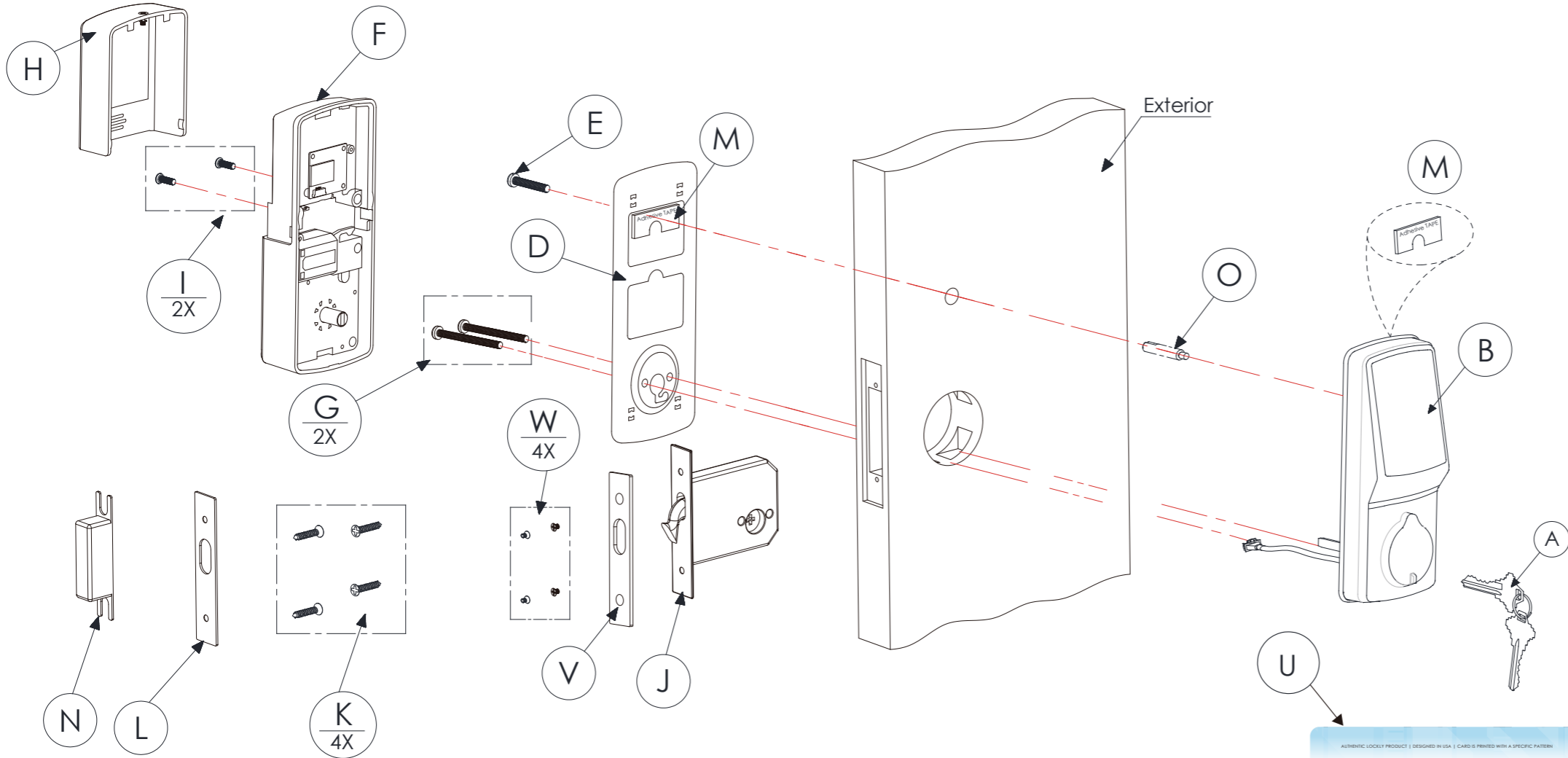


Welcome!

This guide will walk you through step-by-step how to install and get your LOCKLY® Pro up and running. Installation generally takes less than 30 minutes. If you have any questions please reference our online support at: LOCKLY.com/support or call (669) 500-8835 for help.

INSTALLATION OVERVIEW AND PARTS LIST

Parts List



Labeled As	Description
A	Keys
B	Exterior Assembly
C	Exterior
D	Mounting Plate
E	PM5 Screw
F	Interior Assembly
G	PM5×60mm Screw
H	Battery Cover
I	PM4*12MM Screw
J	Deadbolt
K	KA3.5*20MM Screw
L	Strike Plate
N	Dust Box
U	TF Card
V	Face Plate
W	KM4*5.0MM Screw

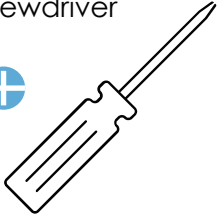
LOCKLY® Pro can be fitted for both right swing doors and left swing doors.



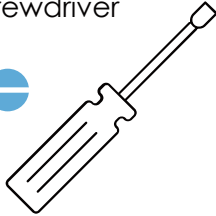
Preparation

To complete the installation you will need:

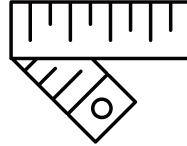
Phillips
Screwdriver



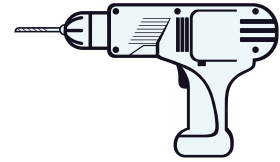
Flathead
Screwdriver



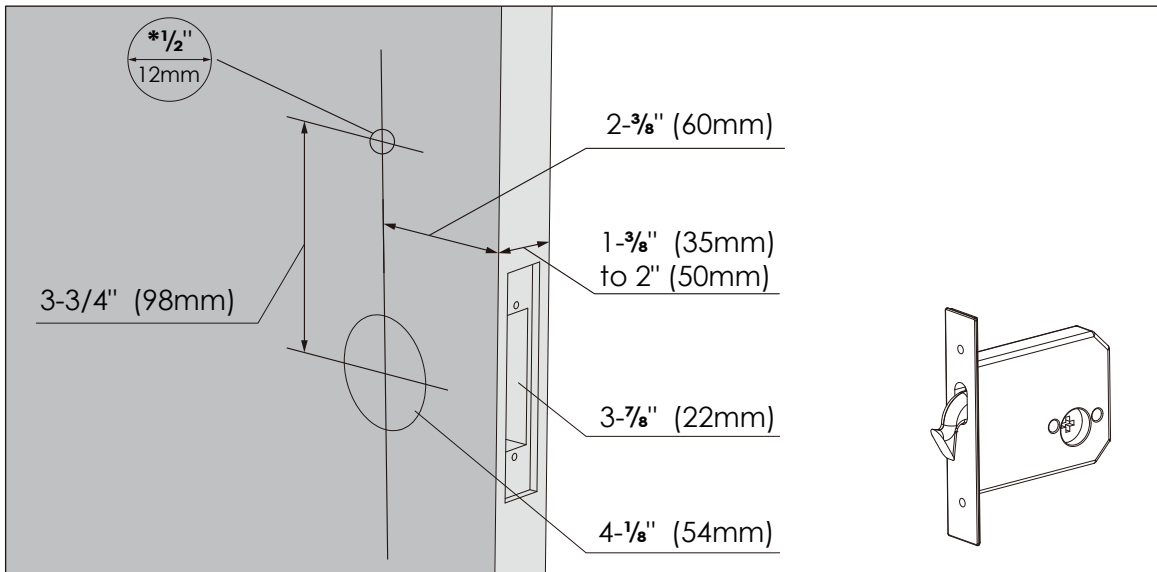
Tape measure
or ruler



Optional: Door Hole Drill



Prepare door and remove existing lock. If necessary, use provided Installation Template to prepare door.

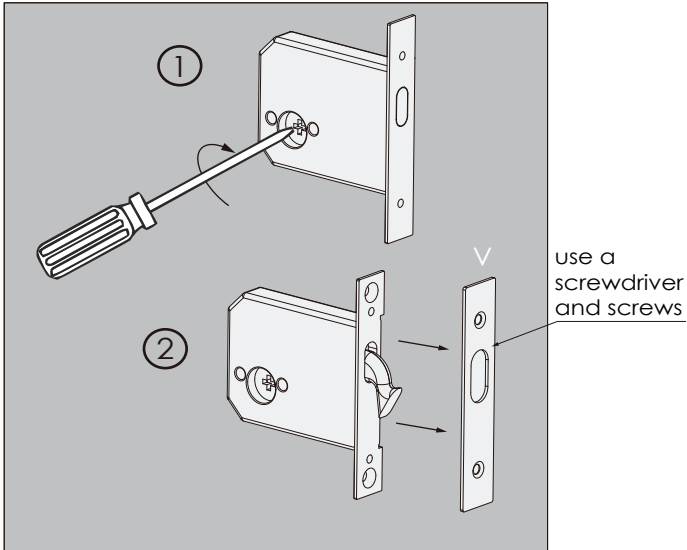


* You are not required to drill a hole in your door. We have provide double sided adhesive tape for you to help stabilize the lock during installation. Only drill a hole if you wish to have added stability. Please refer to the provided templates for drilling if needed.

Step 1

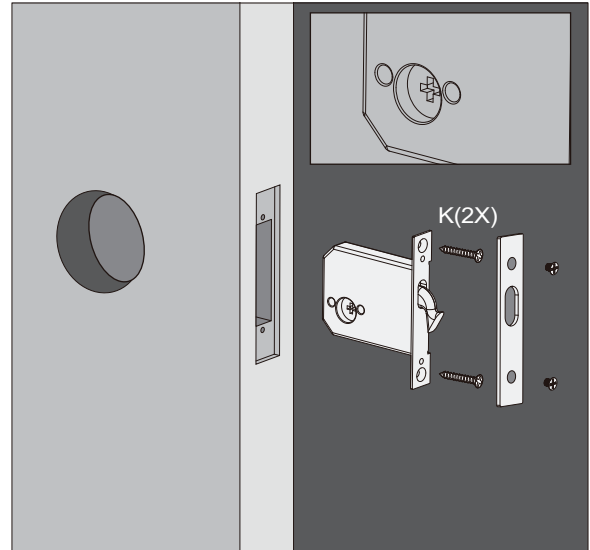
INSTALLING THE LOCKSET (J)

1. Extend the hook by inserting a screwdriver on the cross hole



2. Unscrew and detach the face plate (V).

3. Insert the lockset to the edge door hole, make sure hook is on the top and the cross hole is on vertical position. Secure the lockset with screws K (2X)

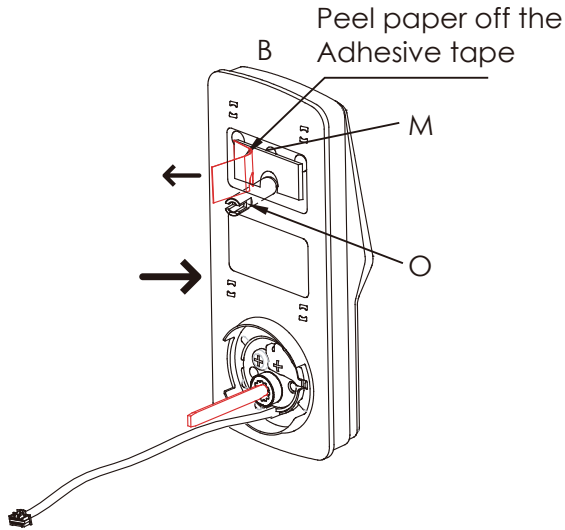


4. Attach the Face plate (V) back to the lockset (J). Secure face plate with screws W (2X).

Step 2

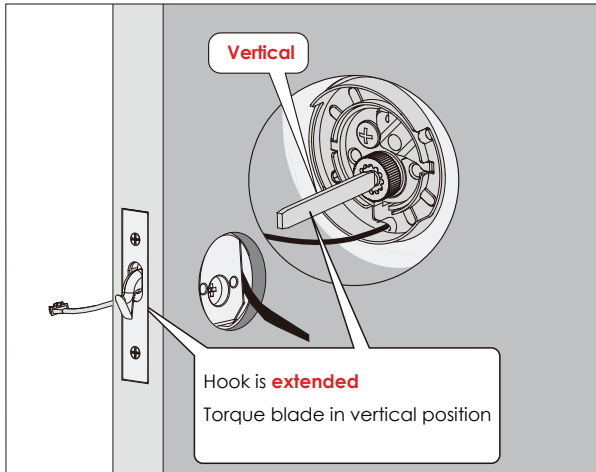
INSTALLING THE EXTERIOR ASSEMBLY(B)

1: To secure Exterior Assembly of lock, peel the cover off the adhesive strips

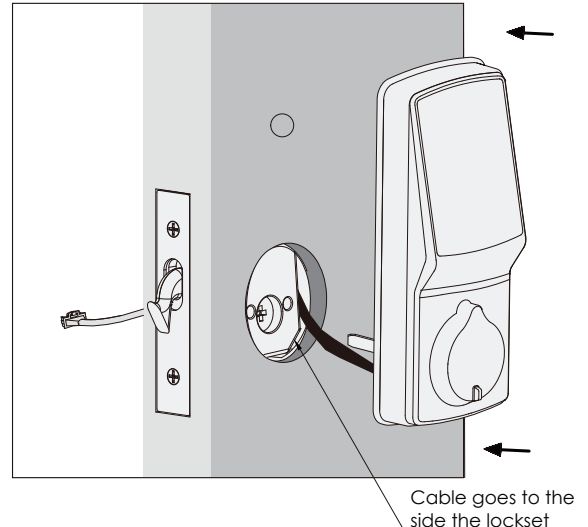


*This hole (O) is for the optional Slotted Barrel Extension provided for stabilizing your lock. It will require drilling extra hole on your door (See template as provided). Alternatively, you may use the double-sided adhesive tape provided which serves the same purpose if you do not want to drill a hole. If you drilled a hole, securely tighten the post with a flathead screwdriver by turning it clockwise before mounting on your door.

2: Before placing the exterior assembly on the door, make sure the torque blade is in vertical position and the hook is extended.

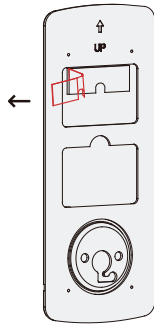


3: Place the exterior assembly to door by inserting the torque blade on a vertical position to the lockset cross hole. Guide the cable to the side of the lockset. Secure the exterior assembly with adhesive strips.



Step 3

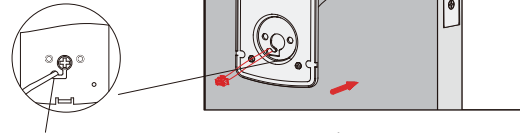
INSTALLING THE INTERIOR ASSEMBLY (F)



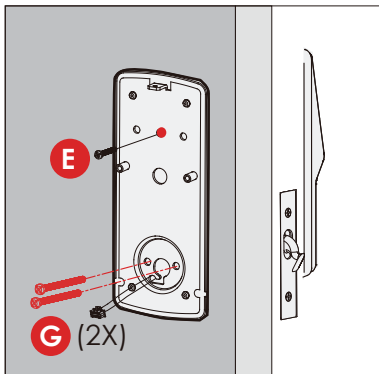
1: Check the mounting plate alignment to your door hole before you peel of the cover off the adhesive strip.

If you have drilled a hole on the top, please secure the hole with screw. Put **E** inside a red circle . Skip this if no hole was drilled.

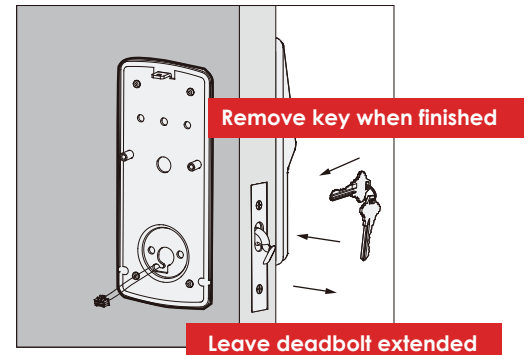
Secure the cable to the lower left notched hole.



2: Place the mounting plate on the interior side of the door. Guide the cable to the opening ear on the side of mounting plate and make sure the torque blade is at the center of the mounting plate.



3: Insert and tighten by hand 2 **G** screws located on the left and right of the blade. Check alignment and tighten with screwdriver until mounting plate is securely placed on door.

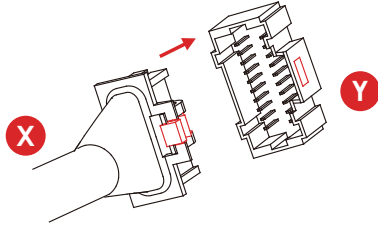


4: After securing the mounting plate, use the key to ensure hook locks and unlocks smoothly (no binding or rubbing). **IMPORTANT:** when finished, leave the hook extended and remove the key before proceeding to the next step.

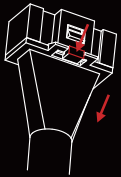
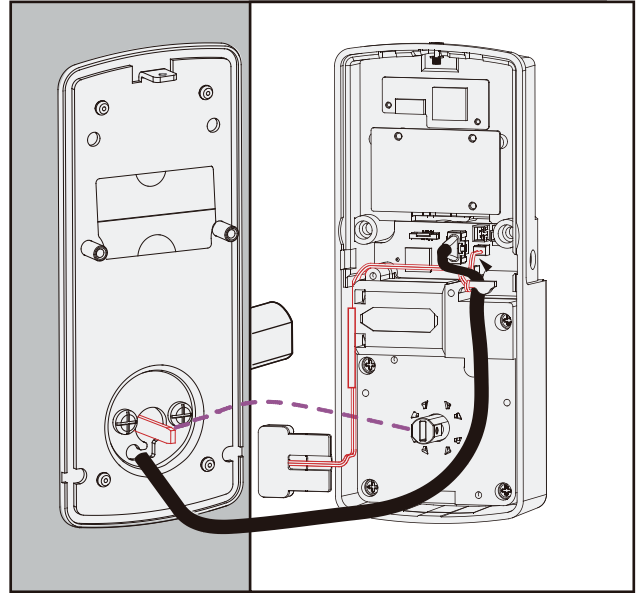
Step 3

INSTALLING THE INTERIOR ASSEMBLY (F)

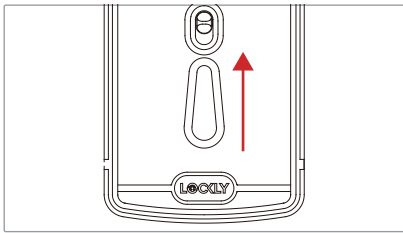
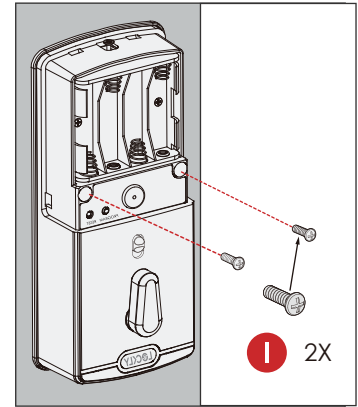
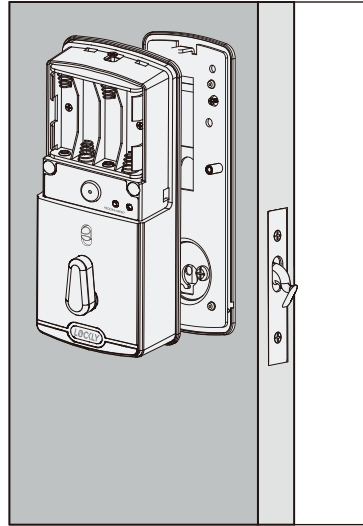
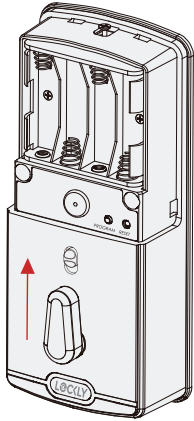
Plug the cable coming through mounting plate **E** to the interior assembly (F) as shown. Tuck cable under eyelet hooks and route to the right on interior assembly **F**.



Plug **X** into **Y**, match red side of plug with red on socket - insert tightly.



NOTE: If you need to disconnect the cable, make sure to press the snap tab to release the plug before carefully pulling it out. Do not force, as this may result in damaging the lock.



Torque Blade Thumb turn shaft



Align torque blade with thumb turn shaft, **make sure both are in the vertical position.**



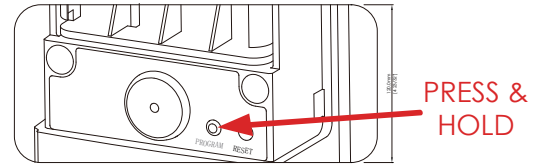
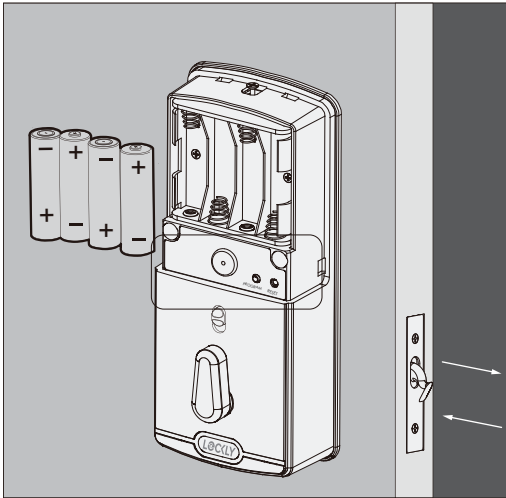
Before placing the interior assembly onto the mounting plate, ensure the thumb turn is **vertical**.

Place the interior assembly against the mounting plate and make sure the torque blade is inserted to the thumb turn shaft.


Secure the interior assembly to mount platedoor with 2 **1** screws.

Step 4

INSTALLING BATTERIES



1: With door open and hook fully extended, insert 3 batteries only (hold on inserting the 4th). Note correct -/+ polarity.

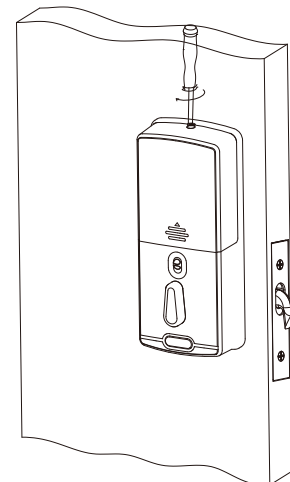
2: Press and HOLD the program button ,  continue to hold and install the 4th battery. The lock will automatically start self-check (release program button once check starts). The self-check process determines right or left open door and is very important to ensure correct installation.

IMPORTANT: if lock is not properly installed it will open and close repeatedly (refer to #3 below)

3: Once self-check completes ensure the lock operates smoothly by manually locking and unlocking the door using the thumb turn on the interior assembly. The hook should operate smoothly without any interference or binding. If necessary, repeat step 2 and ensure that (a) the hook was extended and (b) the torque blade was inserted vertically while the hook was extended.

4: Swipe your hand across the touch screen keypad, the lock should close (lock). If hook bounces back or unlocks automatically it means something is not installed correctly. Go back and repeat step 2, same as above.

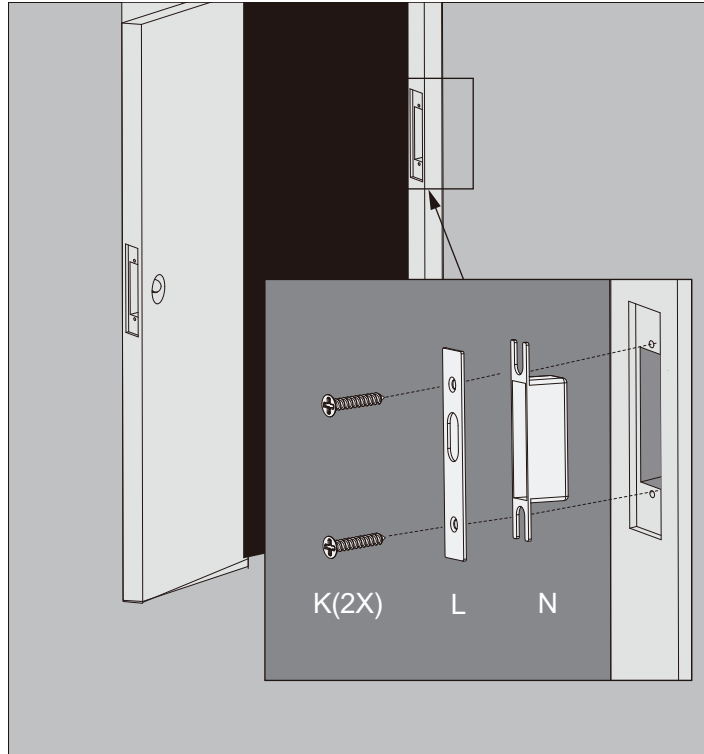
5. Once self-check is complete, install the battery cover (H), secure with screw on top (do not over tighten).



Step 5

INSTALLATING DOOR STRIKE

Use the supplied door strike or use your existing as long as hook operates smoothly without binding or catching.



IMPORTANT: because doors and frames vary in design it may be necessary to make slight adjustments to your strike plate and/or dust box in order to ensure smooth hook operation. This is very important. If the hook is binding or catching in any way the lock will sound an alarm (rapid beeping) indicating it cannot close due to misalignment and/or excessive rubbing or binding.

Step 6

DOWNLOAD LOCKLY® APP

Congratulations! You have completed the LOCKLY physical lock installation. To complete your setup, download the LOCKLY app from the iOS or Google Play app Store and follow on-screen instructions.



Scan, visit app store, or go to [LOCKLY.com/app](https://lockly.com/app)

LOCKLY[®] PRO



**We're here to help!
help@LOCKLY.com**



For the latest version of this manual, please visit the link below:

<http://LOCKLY.com/help>

FCC Warning:

This device complies with Part 15 of the FCC Rules. Operation is subject to the following two conditions: (1) This device may not cause harmful interference, and (2) this device must accept any interference received, including interference that may cause undesired operation.

NOTE 1: This equipment has been tested and found to comply with the limits for a Class B digital device, pursuant to part 15 of the FCC Rules. These limits are designed to provide reasonable protection against harmful interference in a residential installation. This equipment generates, uses and can radiate radio frequency energy and, if not installed and used in accordance with the instructions, may cause harmful interference to radio communications. However, there is no guarantee that interference will not occur in a particular installation. If this equipment does cause harmful interference to radio or television reception, which can be determined by turning the equipment off and on, the user is encouraged to try to correct the interference by one or more of the following measures:

- Reorient or relocate the receiving antenna.
- Increase the separation between the equipment and receiver.
- Connect the equipment into an outlet on a circuit different from that to which the receiver is connected.
- Consult the dealer or an experienced radio/TV technician for help.

NOTE 2: Any changes or modifications to this unit not expressly approved by the party responsible for compliance could void the user's authority to operate the equipment.

FCC Radiation Exposure Statement

Vision Connect complies with FCC radiation exposure limits set forth for an uncontrolled environment. It should be installed and operated with minimum distance 20cm between the radiator & your body.

IC WARNING

This device contains license-exempt transmitter(s) that comply with Innovation, Science and Economic Development Canada's licence-exempt RSS(s). Operation is subject to the following two conditions:

- (1) This device may not cause interference.
- (2) This device must accept any interference, including interference that may cause undesired operation of the device.

L'émetteur/récepteur exempt de licence contenu dans le présent appareil est conforme aux CNR d'Innovation, Sciences et Développement économique Canada applicables aux appareils radio exempts de licence. L'exploitation est autorisée aux deux conditions suivantes:

1. L'appareil ne doit pas produire de brouillage;
2. L'appareil doit accepter tout brouillage radioélectrique subi, même si le brouillage est susceptible d'en compromettre le fonctionnement.

IC Radiation Exposure Statement

This equipment meets the exemption from the routine evaluation limits in section 2.5 of RSS-102. It should be installed and operated with a minimum distance of 20cm between the radiator and any part of your body.

Cet équipement est conforme à l'exemption des limites d'évaluation habituelle de la section 2.5 de la norme RSS-102. Il doit être installé et utilisé à une distance minimale de 20 cm entre le radiateur et toute partie de votre corps.



WARNING: This product can expose you to chemicals including Lead, which is known to the State of California to cause cancer. For more information go to www.P65Warnings.ca.gov.

LOCKLY[®] PRO



We're here to help!
Email: help@LOCKLY.com

For the most up to date version of this guide please visit:
LOCKLY.com/help