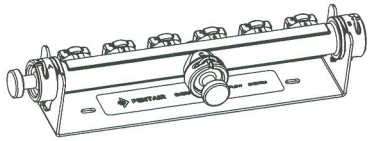
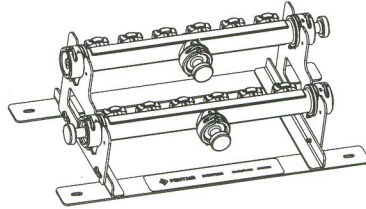




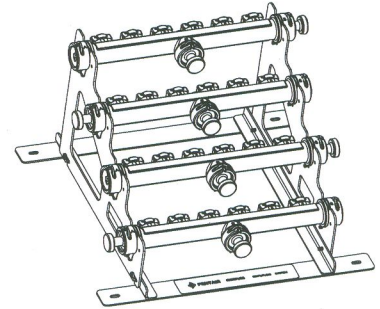
EVERPURE® SIMPLIFLOW™ WATER MANAGEMENT SYSTEM



Single System



Twin System



Quad System

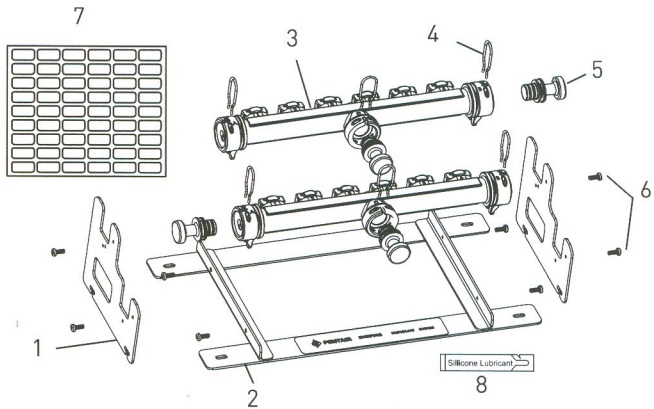
INTRODUCTION

The Everpure SimpliFlow™ is a water line management manifold system. The labels and assorted valves are used to organize and identify water movement.

INSPECTION

Before assembling the SimpliFlow manifold, inspect the parts. Use the table and illustration to verify the parts and quantities. If any parts are missing, contact Customer Service at 630.307.3000 or by email at CSeverpure@pentair.com.

Parts	Single	Single Split	Twin	Quad
1. Sideplate	—	—	2	2
2. Frame	1	1	1	1
3. Six Valve Manifold	1	1	2	4
4. Retaining Pin	3	3	6	12
5. Inlet Plug	2	1	4	8
6. Tapping Screw	2	2	8	12
7. Label Sheet	1	1	2	4
8. Lube Packets	2	2	4	8



SELECTING A LOCATION

The location selected for system installation should allow for:

- Adequate space for "in" and "out" water line connections.
- Mounting screws should anchor into a solid structure.
- The frame is designed to mount on 16 inch centers (wall studs).

OPERATING SPECIFICATIONS

- Temperature Limits: 35-100°F (2-38°C)
- Pressure Maximum: 125 psi (8.6 bar)
- For cold water use only.

DIMENSIONS

	Single & Single Split	Twin	Quad
Base (Provide clearance for tubing)*			
L x W x H inch (cm)	4.5 x 18 x 3 (11.4 x 45.7 x 7.6)	9 x 18 x 5.8 (22.8 x 45.7 x 14.7)	16 x 18 x 10 (40.6 x 45.7 x 25.4)
Mounting Holes			
Side to Side inch (cm)	9 (22.8)	16 (40.6)	16 (40.6)
Top to Bottom inch (cm)	—	7.5 (19)	14.5 (36.8)
Size inch (mm)	0.250 x 0.625 (6.3 x 15.8)		

*Can be mounted on wall studs 16 inches apart.

INSTALLATION INSTRUCTIONS

1. Insert screws halfway.
2. Position sideplates over screws and tighten.

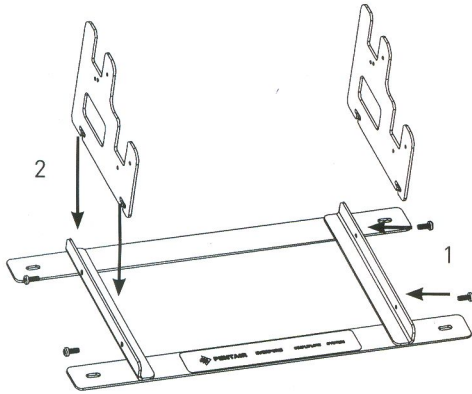


Figure 1

3. Rotate manifold to line up slot with one of the screw holes.
4. Insert screws (one each end) and tighten.

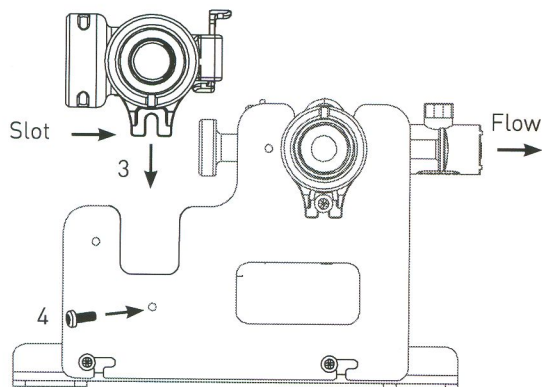
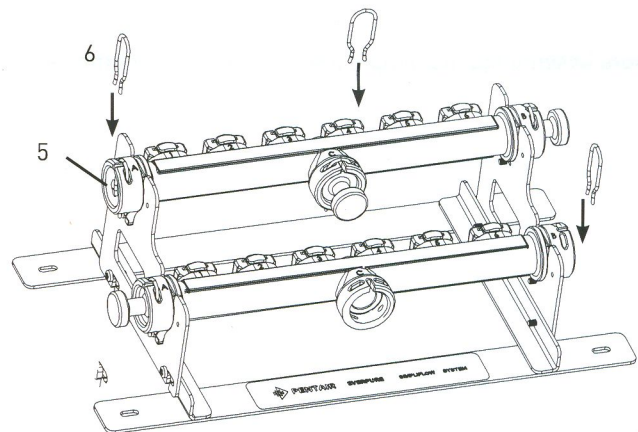


Figure 2

NOTE: All inlet and outlet fittings must use two o-rings. Before inserting the fitting into the opening, clean the contact area and apply clean silicone grease to both o-rings. Select fittings for all inlet ports (three per manifold). Ports that will not be connected must be plugged. All fittings must have two o-rings in place.

5. Push fitting in and insert clip completely.



Inlet Fitting Options (ordered separately)

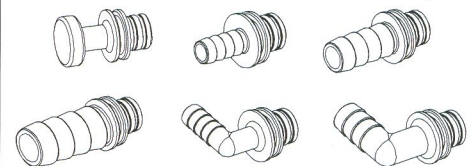


Figure 3

6. Select fittings for all outlet ports (six per manifold). Ports that will not be connected must be plugged. All fittings must have two o-rings in place.

7. Slide clamp and insert fitting to full depth. Slide clamp back to lock fitting in place.
8. Use sheet of labels to identify outlets.

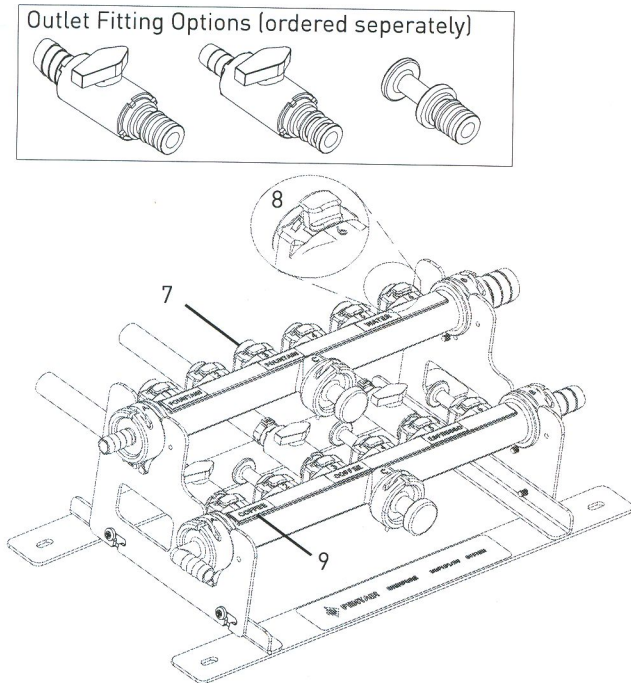


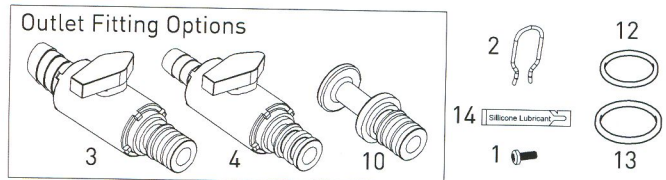
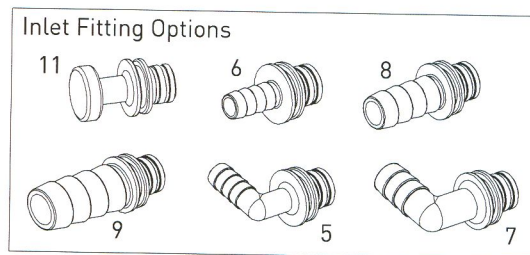
Figure 4

9. Mount the SimpliFlow manifold securely.
10. Install tubing for the application. All tubing should be cut to proper length. The tubing should not push with force on any of the fittings.

REPLACEMENT PARTS

Contact your local Everpure dealer for system replacement parts.

Number	Part Number	Description
1	EV306416	Screw Tap #10-32 x 1/2 410 SS
2	EV313518	Retaining Pin
3	EV313552	1/2" Ball Valve w/o-rings
4	6-323-01	3/8" Ball Valve
5	EV313535	1/2" Barb Elbow Fitting w/o-rings
6	EV313534	1/2" Barb Straight Fitting w/o-rings
7	EV313600	3/4" Barb Elbow Fitting w/o-rings
8	EV313550	3/4" Barb Straight Fitting w/o-rings
9	EV313589	1" Barb Straight Fitting w/o-rings
10	EV313549	Plug Outlet 1/2" w/o-rings
11	EV313548	Plug Inlet 1/2" w/o-rings
12	5-042-111	o-ring - 111.103 x 0.424E70
13	5-042-630	o-ring, Large (for inlet fittings)
14	SH143495	Lubricant Packet
Not Shown	EV313716	Plug Inlet 1/2" w 1/8" NPT and o-rings



LIMITED WARRANTY

COMMERCIAL WATER TREATMENT EQUIPMENT

You have just purchased one of the finest water treatment units made. As an expression of our confidence in Everpure products, this product is warranted against defects in material and workmanship to the original end-user when installed in accordance with Everpure specifications. The warranty period commences from the date of purchase and is administered as follows:

For a period of ONE YEAR

Replaceable elements (i.e., filter & water treatment cartridges)*

For a period of FIVE YEARS

The entire system (excluding replaceable elements)

***This is for material & workmanship, not filter or water treatment cartridge life.**

The unit must be used in operating conditions that conform to Everpure's recommended design guidelines. This warranty will not apply if the unit has been modified, repaired or altered by someone not authorized by Everpure.

If a part described above is found defective within the specified period, you should notify Everpure technical service at the phone number listed below. Any part found defective within the terms of this warranty will be repaired or replaced (at Everpure's discretion) by your local dealer or Everpure technical service. You pay only freight from our factory and local dealer charges. Any repaired or replaced warranty item will be incorporated under the original warranty terms of the existing system.

We are not responsible for damage caused by accident, fire, flood, freezing, Act of God, misuse, misapplication, neglect, oxidizing agents (such as chlorine, ozone, chloramines and other related components), alteration, installation or operation contrary to our printed instructions, or by the use of accessories or components which do not meet Everpure's specifications. Refer to the specifications section in the Installation and Operating manual for approved application parameters.

Our product performance specifications are furnished with each water treatment unit. TO THE EXTENT PERMITTED BY LAW, EVERPURE DISCLAIMS ALL IMPLIED WARRANTIES, INCLUDING WITHOUT LIMITATION WARRANTIES OF MERCHANTABILITY AND FITNESS FOR PARTICULAR PURPOSE; TO THE EXTENT REQUIRED BY LAW, ANY SUCH IMPLIED WARRANTIES ARE LIMITED IN DURATION TO THE PERIOD SPECIFIED ABOVE FOR THE ENTIRE WATER TREATMENT UNIT. As a manufacturer, we do not know the characteristics of your water supply or the purpose for which you are purchasing this product. The quality of water supplies may vary seasonally or over a period of time, and your water usage rate may vary as well. Water characteristics can also differ considerably if this product is moved to a new location. For these reasons, we assume no liability for the determination of the proper equipment necessary to meet your requirements, and we do not authorize others to assume such obligations for us. Further, we assume no liability and extend no warranties, express or implied, for the use of this product with a non-potable water source or a water source which does not meet the conditions for use described in the owner's guide or performance data sheet for this product. OUR OBLIGATIONS UNDER THIS WARRANTY ARE LIMITED TO THE REPAIR OR REPLACEMENT (AT EVERPURE'S DISCRETION) OF THE FAILED PARTS OF THE WATER TREATMENT UNIT, AND WE ASSUME NO LIABILITY WHATSOEVER FOR DIRECT, INDIRECT, INCIDENTAL, CONSEQUENTIAL, SPECIAL, GENERAL OR OTHER DAMAGES.

Some states do not allow the exclusion of implied warranties or limitations on how long an implied warranty lasts, so the above limitation may not apply to you. Similarly, some states do not allow the exclusion of incidental or consequential damages, so the above limitation or exclusion may not apply to you. This warranty gives you specific legal rights, and you may also have other rights which vary from state to state. Consult your telephone directory for your local independently operated Everpure dealer, or write Everpure for warranty and service information.



WATER SOLUTIONS

EVERPURE-SHURFLO WORLD HEADQUARTERS, 1040 MUIRFIELD DRIVE, HANOVER PARK, IL 60133 USA • WWW.EVERPURE.COM
800.942.1153 MAIN (US ONLY) • 800.942.1153 (US ONLY) • 630.307.3000 MAIN • 630.307.3030 FAX • CSEVERPURE@PENTAIR.COM EMAIL

EVERPURE-SHURFLO AUSTRALIA, 2 REDWOOD DRIVE, NOTTING HILL, VICTORIA, 3168, AUSTRALIA
011.61.39.574.4000 TEL • 011.61.39.562.7237 FAX • AU.EVERPURE@PENTAIR.COM EMAIL

EVERPURE-SHURFLO CHINA, 21F CLOUD 9 PLAZA, NO 1118, SHANGHAI, 200052, CHINA
86.21.3211.4588 TEL • 86.21.3211.4580 FAX • CHINA.WATER@PENTAIR.COM EMAIL

EVERPURE-SHURFLO INDIA, GREEN BOULEVARD, B-9/A, 7TH FLOOR - TOWER B SECTOR 62, NOIDA - 201301
91.120.419.9444 TEL • 91.120.419.9400 FAX • INDIACUSTOMER@PENTAIR.COM EMAIL

EVERPURE-SHURFLO EUROPE, PENTAIR WATER BELGIUM BVBA, INDUSTRIEPARK WOLFSTEE, TOEKOMSTLAAN, 30 B-2200 HERENTALS, BELGIUM
+32.(0).14.283.500 TEL • +32.(0).14.283.505 FAX • SALES@EVERPURE-EUROPE.COM EMAIL

EVERPURE-SHURFLO JAPAN INC., HASHIMOTO MN BLDG. 7F, 3-25-1 HASHIMOTO, MIDORI-KU, SAGAMIHARA-SHI KANAGAWA 252-0143, JAPAN
81.(0)42.775.3011 TEL • 81.(0)42.775.3015 FAX • INFO@EVERPURE.CO.JP EMAIL

EVERPURE-SHURFLO SOUTHEAST ASIA, 18 BOON LAY WAY, #04-110/111, TRADEHUB 21, 609966, SINGAPORE
65.6795.2213 TEL • FAX: 65.6795.2219 FAX • CSEVERPURE@PENTAIR.COM EMAIL

All Pentair trademarks and logos are owned by Pentair, Inc. All other brand or product names are trademarks or registered marks of their respective owners. Because we are continuously improving our products and services, Pentair reserves the right to change specifications without prior notice.

Pentair is an equal opportunity employer.

© 2012 Pentair Filtration Solutions, LLC. All Rights Reserved.

EV313723 Rev A JL12