

# LR-BB50 HEAVY DUTY LEAD FILTRATION SYSTEM



## APPLICATIONS

- ◆ Residential

## FEATURES • BENEFITS

- ◆ Professional grade lead reduction system for the home
- ◆ NSF/ANSI Standard 53 certified to reduce cysts such as *Cryptosporidium* and *Giardia* by mechanical means
- ◆ Maximum filtration with minimal pressure drop
- ◆ Integrated bypass valve for easier cartridge change-outs
- ◆ Complete system with cartridge, wrench, mounting bracket kit and manual

## INSTALLATION TIPS

- ◆ Choose a mounting location suitable to support the full weight of the system when operating.
- ◆ Make sure to properly lubricate o-ring prior to use.
- ◆ Use 3/4" water line (optional reducer bushings included).
- ◆ Install vertically with bowl hanging down.
- ◆ Allow 2-1/2" (6.35 cm) clearance below the cartridge for easy cartridge replacement.

## OPERATION TIPS

- ◆ Replace cartridge if flow rate decreases.
- ◆ Do not exceed service flow rate.
- ◆ Inspect o-ring during each cartridge change. Lubricate and/or replace if necessary.

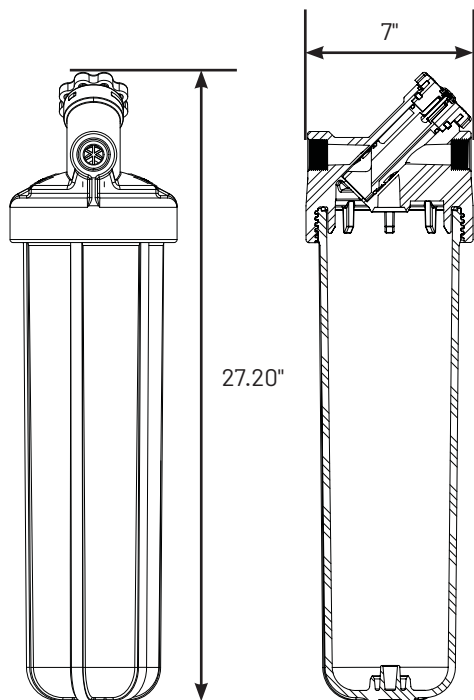
## SIZING

- ◆ Service Flow Rate: Maximum 10.0 gpm

## INCLUDES

- ◆ 20" Filter housing with bypass cap
- ◆ 20" Filter cartridge
- ◆ Wrench
- ◆ Mounting bracket with screws
- ◆ Installation and operation manual

# LR-BB50 HEAVY DUTY LEAD FILTRATION SYSTEM



## SPECIFICATIONS

- ◆ **System** (Model/Part No.)  
LR-BB50 / 160410
- ◆ **Housing Size**  
20" Heavy duty
- ◆ **Inlet Size**  
1" FPT
- ◆ **Housing Material**  
Polypropylene
- ◆ **Length**  
27.20"
- ◆ **Width**  
7"
- ◆ **Cartridge Type**  
FibreDyne<sup>®</sup> Carbon Block
- ◆ **Micron Rating**  
0.5
- ◆ **Filter Life\***  
4-5 months
- ◆ **Capacity**  
40,000 gallons
- ◆ **Flow Rate**  
10 gpm
- ◆ **Certification**  
NSF/ANSI Std. 53
- ◆ **Pressure Range**  
30-90 PSI
- ◆ **Temperature Range**  
40° - 100°F
- ◆ **Replacement Cartridge**  
(Model/Part No.)  
LR-FB20BB / 655210-43 (6/case)

\* Filter life based on four-person home and 300 gallons per day



System Tested and Certified by  
NSF International against CSA  
B483.1 and NSF/ANSI Standard 53  
for the reduction of Lead and Cyst.

EPA # 090375-MEX-001



13845 Bishops Dr. | Suite 200 | Brookfield, WI 53005 | United States  
P: 262.238.4400 | Customer Care: 800.279.9404 | [tech-support@pentair.com](mailto:tech-support@pentair.com) | [pentair.com](http://pentair.com)

§For a detailed list of where Pentair trademarks are registered, please visit [www.pentair.com/en/registrations.html](http://www.pentair.com/en/registrations.html). Pentair trademarks and logos are owned by Pentair plc or its affiliates. Third party registered and unregistered trademarks and logos are the property of their respective owners.

© 2019 Pentair Residential Filtration, LLC. All rights reserved.

4005495 Rev B OC19