

# COLDRINK®/INSURICE® TRIPLE MANIFOLD WITH 10" PREFILTER

FOR USE WITH EVERPURE® QUICK-CHANGE CARTRIDGES

System Part Number: EV9293-03



## APPLICATIONS

- ◆ Fountain beverages
- ◆ Ice machines
- ◆ Coffee & tea brewers

## FEATURES • BENEFITS

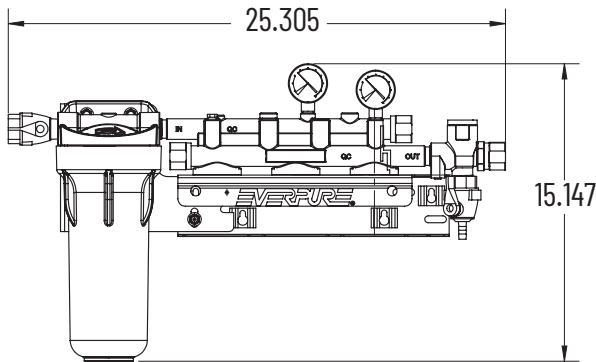
- ◆ Commercial-grade filter head for Everpure filter cartridges
- ◆ Includes mounting box bracket and screws for fast and easy installation; no extra mounting plate is required
- ◆ Modular design of box bracket allows for future retrofitting of add-on components without disassembly of system
- ◆ Optional built-in water shut-off valve and flushing valve for easy cartridge change-outs
- ◆ Cartridge nesting feature provides a more secure, durable fit
- ◆ Built-in water pressure gauge helps monitor proper flow
- ◆ Engineered for durability, strength and longevity
- ◆ Includes Everpure EC110 pre-filter cartridge
- ◆ All wetted parts have successfully passed NSF® extraction tests as part of listed systems

## INSTALLATION TIPS

- ◆ Choose a mounting location suitable to support the weight of the system while operating.
- ◆ Install vertically and allow 2 1/2: (6.35 cm) clearance below the cartridge for easy removal and replacement.
- ◆ Flush filter by running water through the system for five (5) minutes.
- ◆ For more details, see the installation, operation, and maintenance guide included with the system.
- ◆ Do not install where the system could be exposed to freezing temperatures.
- ◆ Replace cartridges annually, or when capacity is reached or flow slows down.

# COLDRINK®/INSURICE® TRIPLE MANIFOLD WITH 10" PREFILTER

EV9293-03



## SPECIFICATIONS

### System

#### Overall Dimensions

25.31" W x 15.14" H x 6.13" D  
(64.27 cm x 38.45 cm x 15.57 cm)

#### Connections

Inlet Connection: 3/4"  
Outlet Connection: 3/4"

#### Operating Pressure

10 - 125 psi (0.7 - 8.6 bar), non-shock

#### Water Temperature

35 - 100°F (2 - 38°C)

#### Shipping Weight

16 lbs (7.3 kgs)

#### Electrical Connection

None required

## REPLACEMENT CARTRIDGE

Model	Qty	Description	Part No
EC110	12	Replacement Cartridge	EV9534-12

For Pentair Everpure Product Warranties visit:  
<http://pentair.com/assets/foodservice-warranty>

The contaminants or other substances removed or reduced by this drinking water system are not necessarily in your water. Do not use with water that is microbiologically unsafe or of unknown quality without adequate disinfection before or after the system.

Since the conditions under which our products may be used are beyond our control, we cannot accept any liability with respect to the improper installation, application and/or use of our products.



1040 Muirfield Drive | Hanover Park, IL 60133 | United States  
800.942.1153 (US Only) 630.307.3000 Main | [cseverpure@pentair.com](mailto:cseverpure@pentair.com) | [foodservice.pentair.com](http://foodservice.pentair.com)

All indicated Pentair trademarks and logos are property of Pentair. Third party registered and unregistered trademarks and logos are the property of their respective owners.  
©2022 Pentair. All rights reserved.

EV9293-03 OC22