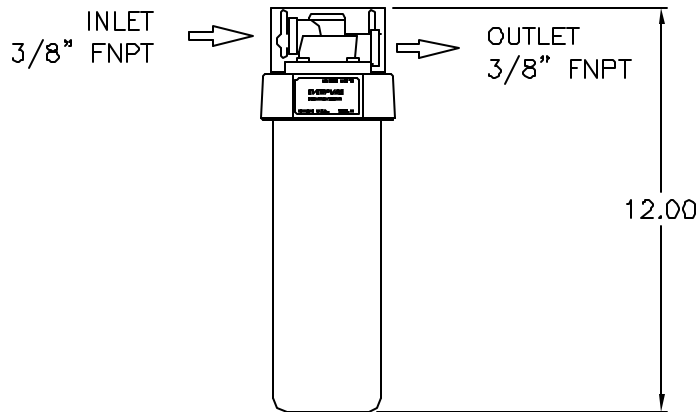


TOP VIEW



FRONT VIEW

QL2-OCS

PART NO. EV9275-60  
 REPL. CART. (1 PK) EV9618-01  
 REPL. CART. (6 PK) EV9618-06

SYSTEM DETAILS

SHIPPING WEIGHT, LBS: 3  
 OPERATING WEIGHT, LBS: 3.5  
 MAX. FLOW RATE, GPM: 0.5  
 MAX. WORKING PRESSURE, PSI: 125  
 MAX. OPERATIONAL TEMP, °F: 100

NOTES:

- (1) ITEMS SHOWN IN BROKEN LINES TO BE FURNISHED BY OTHERS.
- (2) ALL DIMENSIONS ARE ± 1 INCH (25mm) AND SUBJECT TO CHANGE WITHOUT NOTICE.
- (3) ALLOW MINIMUM 2.5 INCHES BELOW SYSTEM FOR CARTRIDGE CHANGE.

DO NOT SCALE DRAWING TOLERANCES: ±1/8" UNLESS OTHERWISE NOTED					 <b>ENGINEERED SYSTEMS</b> NORTHBROOK, ILLINOIS <small>PRINT AND BILL OF MATERIAL ARE NOT TO BE USED WITHOUT THE WRITTEN CONSENT OF CULLIGAN INTERNATIONAL CO.</small>	NAME: QL2-OCS 0.5 MICRON PRE-COAT FILTER TECHNICAL DATA SHEET		
Rev.	Change	By	App	Date		DETAILED BY: KMR 8/28/02	APP. BY:	SHEET 1 OF 1
						REF. NO.	PART NO.	
						QL2-OCS		