



# EVERPURE® CB20-302E WATER FILTER EV9100-32

HIGH FLOW, HIGH CAPACITY CARBON FILTER FOR CHLORINE AND CHLORAMINE REDUCTION

CB20-302E System: EV9100-32  
302 Replacement Cartridge Kit: EV9105-21  
Kit contains: (1) CC1E replacement cartridge and  
(1) CC3E replacement cartridge



## APPLICATIONS

High flow, high volume foodservice applications requiring chloramine reduction

## FEATURES • BENEFITS

CC1E extended service cartridge contains radial flow granular activated carbon (GAC)

High pressure housing includes head with pressure relief valve, mounting bracket and bowl

Integral inlet and outlet pressure gauge monitors operation

Improves the taste and consistency of beverages and ice by reducing chloramine, chlorine and other off-tastes and odors

Exclusive precoat filtration provides superior chlorine taste and odor reduction and micro-filters dirt and particles as small as 0.5 micron in size by mechanical means

CC3E Cartridge:  
Reduces cysts such as *Cryptosporidium* and *Giardia* by mechanical means

## INSTALLATION TIPS

Choose a mounting location which is suitable to support the full weight of the system when operating (30 lbs. [13.6 kg])

3/4" FNPT inlet and outlet connection

Install on cold water lines only

Do not install where unit is exposed to direct sunlight

Allow a minimum of 4" (10.16 cm) clearance under the filter to facilitate cartridge change

Do not braze or solder fittings into head

Never use a saddle valve for connection

## OPERATION TIPS

Change cartridges on a regular six (6) month preventative maintenance program

Change cartridge when capacity is reached (20,000 gallons) or when flow becomes too slow

Change cartridges when the difference between the two pressure gauges is greater than or equal to 20 psi (1.4 bar)

Service flow rate must not exceed 5.0 gpm (19 Lpm)

After installing CC1E cartridge, flush at full flow for five minutes. Install CC3E cartridge and flush system for 10 minutes

For coffee and ice applications, add scale reduction feeder at outlet of system  
P/N: EV9798-45

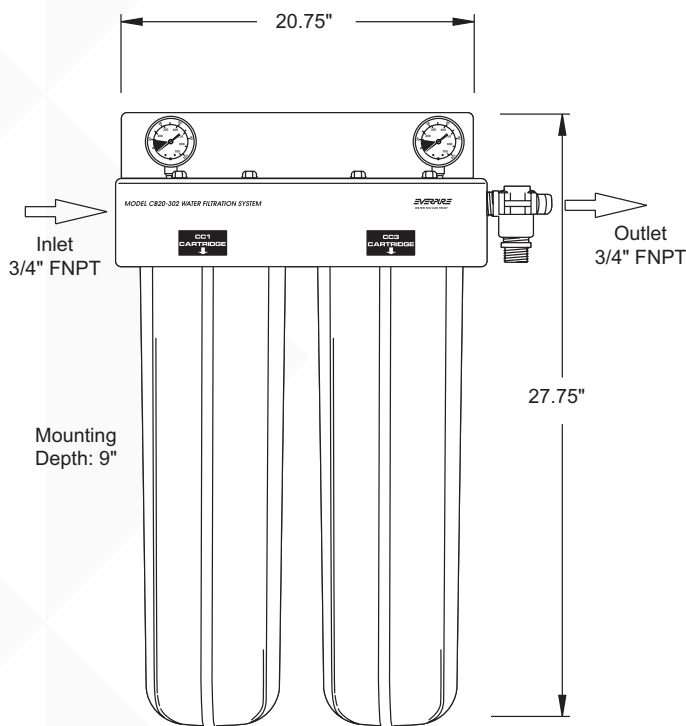
## SIZING

Service Flow Rate: Maximum 5 gpm (19 Lpm)

Rated Capacity: 20,000 gallons (75,700L)

# EVERPURE® CB20-302E WATER FILTER

## EV9100-32



### SPECIFICATIONS

#### Overall Dimensions

27.75" H x 20.75" W x 9" D  
(70.5 x 52.7 x 22.9 cm)

#### Connections

Inlet Connection: 3/4" FNPT  
Outlet Connection: 3/4" FNPT

#### Service Flow Rate

Maximum 5 gpm (19 Lpm)

#### Rated Capacity

20,000 gallons (75,700 L)

#### Pressure Requirements

20 - 100 psi (1.4 - 6.9 bar), non-shock

#### Temperature

35 - 100°F (2 - 38°C)

#### Electrical Connection

None required

#### Shipping Weight

46 lbs. (20.8 kg)

### WARRANTY

Everpure water treatment systems by Pentair® (excluding replaceable elements) are covered by a limited warranty against defects in material and workmanship for a period of five years after date of purchase. Everpure replaceable elements (filter cartridges and water treatment cartridges) are covered by a limited warranty against defects in material and workmanship for a period of one year after date of purchase. See printed warranty for details. Pentair will provide a copy of the warranty upon request.

EPA No. 002623-IL-002

The contaminants or other substances removed or reduced by this drinking water system are not necessarily in your water. Do not use with water that is microbiologically unsafe or of unknown quality without adequate disinfection before or after the system. Systems certified for cyst reduction may be used with disinfected water that may contain filterable cysts.



### FILTRATION & PROCESSING SOLUTION

EVERPURE-SHURFLO WORLD HEADQUARTERS, 1040 MUIRFIELD DRIVE, HANOVER PARK, IL 60133 USA • WWW.EVERPURE.COM  
800.942.1153 MAIN (US ONLY) • 630.307.3000 MAIN • 630.307.3030 FAX • CSEVERPURE@PENTAIR.COM EMAIL

EVERPURE-SHURFLO AUSTRALIA / NEW ZEALAND, 1-21 MONASH DRIVE, DANDENONG SOUTH, VIC, 3175, AUSTRALIA  
1300.576.190 TEL • AU.EVERPURE@PENTAIR.COM EMAIL

EVERPURE-SHURFLO CHINA, 21F CLOUD 9 PLAZA, NO 1118, SHANGHAI, 200052, CHINA  
86.21.3211.4588 TEL • 86.21.3211.4580 FAX • CHINA.WATER@PENTAIR.COM EMAIL

EVERPURE-SHURFLO INDIA, GREEN BOULEVARD, B-9/A, 7TH FLOOR - TOWER B SECTOR 62, NOIDA - 201301  
91.120.419.9444 TEL • 91.120.419.9400 FAX • INDIACUSTOMER@PENTAIR.COM EMAIL

EVERPURE-SHURFLO EUROPE, PENTAIR WATER BELGIUM BVBA, INDUSTRIEPARK WOLFSTEE, TOEKOMSTLAAN, 30 B-2200 HERENTALS, BELGIUM  
+32.(0).14.283.500 TEL • +32.(0).14.283.505 FAX • SALES@EVERPURE-EUROPE.COM EMAIL

EVERPURE-SHURFLO JAPAN INC., HASHIMOTO MN BLDG. 7F, 3-25-1 HASHIMOTO, MIDORI-KU, SAGAMIHARA-SHI KANAGAWA 252-0143, JAPAN  
81.(0)42.775.3011 TEL • 81.(0)42.775.3015 FAX • INFO@EVERPURE.CO.JP EMAIL

EVERPURE-SHURFLO SOUTHEAST ASIA, 390 HAVELOCK ROAD, #04-01, KING'S CENTRE, SINGAPORE 169662  
65.6795.2213 TEL • FAX: 65.6795.2219 FAX • CSEVERPURE@PENTAIR.COM EMAIL

All Pentair trademarks and logos are owned by Pentair, Inc. All other brand or product names are trademarks or registered marks of their respective owners. Because we are continuously improving our products and services, Pentair reserves the right to change specifications without prior notice. Pentair is an equal opportunity employer.