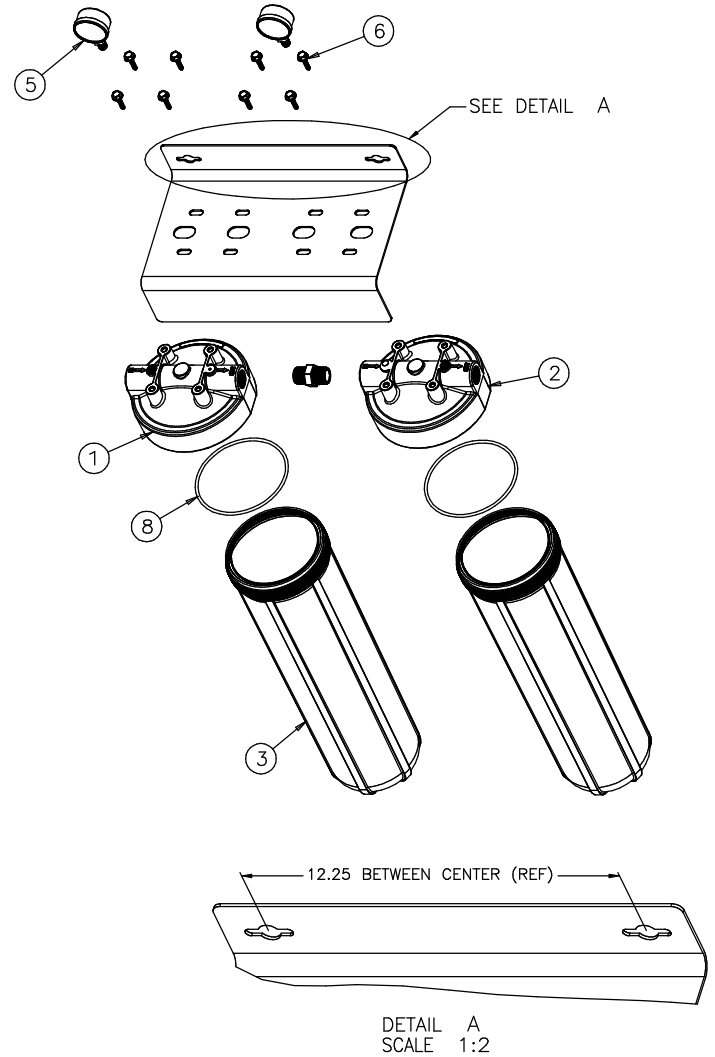
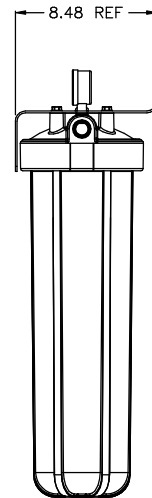
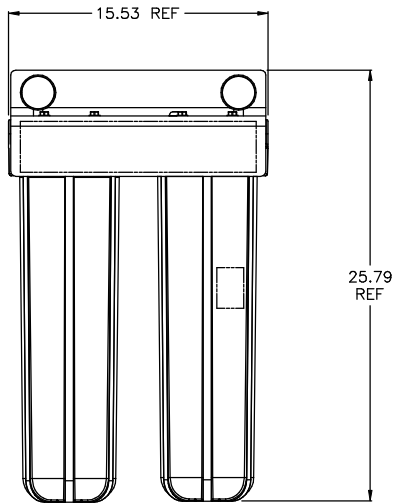
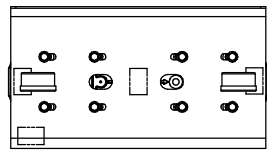


BALLOON NUMBER	PART NUMBER	QTY.	PRODUCT DESCRIPTION
1	EV311441	1	HFPP CAP, MILLED W/HOLE, 3/4" WHITE
2	EV311440	1	HFPP CAP, MILLED W/HOLE AND PR, 3/4" WHITE
3	EV309352	2	#20 BB SUMP, WHITE
5	EV309440	2	PRESSURE GAUGE
6	NO P/N	8	SCREW, LAG, 5/16" X 1-1/4"
8	EV309350	2	BB O-RING
	EV311947	1	INSTALL KIT (NOT SHOWN)
	EV311437	1	FLUSH VALVE KIT (NOT SHOWN)
	EV308839	1	FLUSH HOSE (NOT SHOWN)



NOTES:
1. ASSEMBLE PER MANUFACTURING WORK INSTRUCTIONS.

DO NOT SCALE DRAWING TOLERANCES: ±1/8" UNLESS OTHERWISE NOTED				
Let.	Change	By	App	Date

EVERPURE®
ENGINEERED SYSTEMS
NORTHBROOK, ILLINOIS
PRINT AND BILL OF MATERIAL ARE NOT
TO BE USED WITHOUT THE WRITTEN
CONSENT OF CULLIGAN INTERNATIONAL CO.

NAME		
CB20-302E		
DETAILED BY: KMR 8/18/03	APP. BY:	SHEET 1 OF 1
REF. NO.	PART NO. CB20-302E	