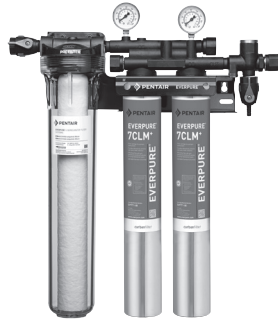




# EVERPURE® COLDRINK® - 7CLM+ SERIES WATER FILTRATION SYSTEMS



Coldrink 1 - 7CLM+ System



Coldrink 2 - 7CLM+ System



Coldrink 3 - 7CLM+ System



Coldrink 4 - 7CLM+ System

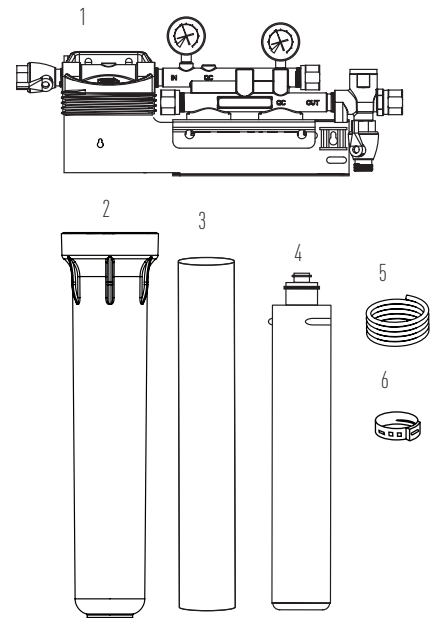
## INTRODUCTION

The Everpure Coldrink - 7CLM+ Series Water Filtration Systems are designed to treat up to 50,400 gals (190,784 L) of water. These systems are NSF Certified to reduce chloramines and to reduce a variety of other contaminants making them excellent filters for fountain beverage, frozen carbonated beverage and drinking water applications.

## INSPECTION

Before mounting the Coldrink - 7CLM+ Series System, inspect the parts. Use the table and illustration provided to verify the parts and quantities. If any parts are missing, contact Customer Service at 630.307.3000 or by email at [CSeverpure@pentair.com](mailto:CSeverpure@pentair.com).

Parts	Coldrink 1 - 7CLM+	Coldrink 2 - 7CLM+	Coldrink 3 - 7CLM+	Coldrink 4 - 7CLM+
	EV9771-21	EV9771-22	EV9771-23	EV9771-24
1. Manifold and Bracket	1	1	1	1
2. 20-inch Prefilter Bowl	1	1	1	1
3. 20-inch EC-210 Prefilter	1	1	1	1
4. 7CLM+ Filter Cartridge	1	2	3	4
5. Tubing, 1/2" O.D.	1	1	1	1
6. Hose Clamp	1	1	1	1



System Tested and Certified by NSF International against NSF/ANSI Standard 42 for the reduction of:

**Standard No. 42 — Aesthetic Effects**

**Chemical Reduction**

- Taste and Odor
- Chlorine
- Chloramines

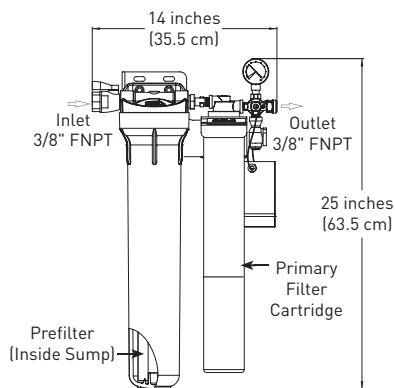
**Mechanical Filtration**

- Nominal Particulate Class III

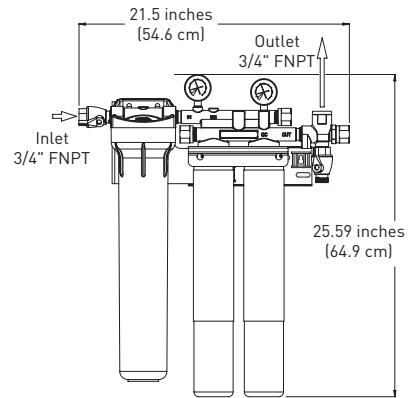
## SELECTING A MOUNTING LOCATION

1. Give consideration to the weight of the unit when operating, i.e. filled with water. Operating weights of the Coldrink - 7CLM<sup>+</sup> Series System are:
  - Coldrink 1 - 7CLM<sup>+</sup> System - 28.4 lbs (12.88 kgs)
  - Coldrink 2 - 7CLM<sup>+</sup> System - 50.4 lbs (22.86 kgs)
  - Coldrink 3 - 7CLM<sup>+</sup> System - 73.7 lbs (33.43 kgs)
  - Coldrink 4 - 7CLM<sup>+</sup> System - 97.1 lbs (44.04 kgs)
2. The location should allow for:
  - Minimum clearance of 2.5 inches (6.3 cm) under the cartridge(s) so it can be lowered for removal and replacement.
  - Adequate space for "in" and "out" water line connections.
  - Be near a drain for flushing and near a 110V outlet if the accessory (sold separately) Everguard™ Low Pressure Alarm (LPA) is used.

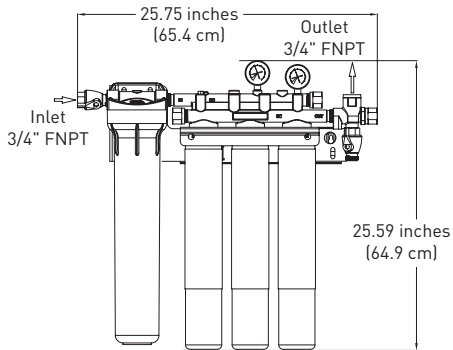
## DIMENSIONS



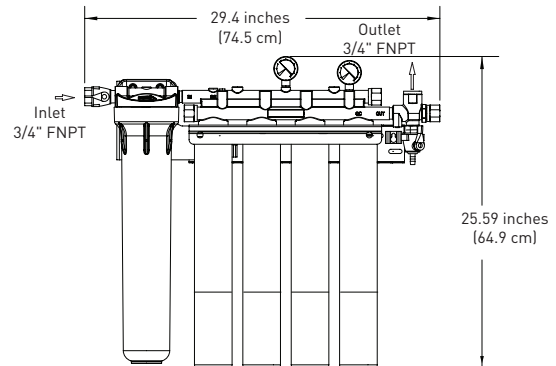
Coldrink 1 - 7CLM<sup>+</sup> Series System



Coldrink 2 - 7CLM<sup>+</sup> Series System



Coldrink 3 - 7CLM<sup>+</sup> Series System

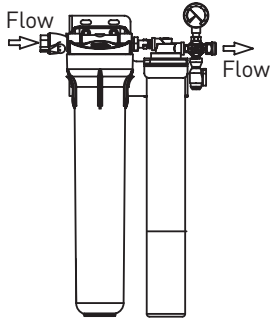


Coldrink 4 - 7CLM<sup>+</sup> Series System

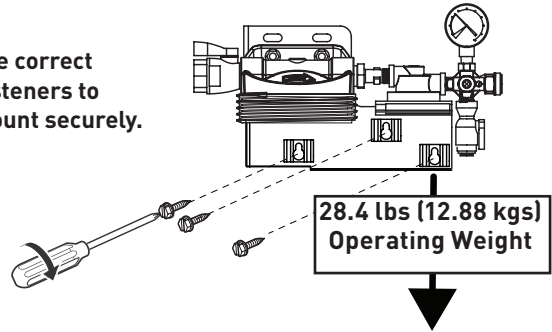
# INSTALLATION

## Single System

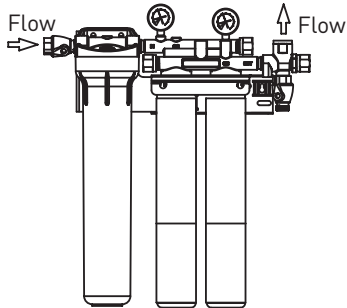
### 1 Mount to Wall



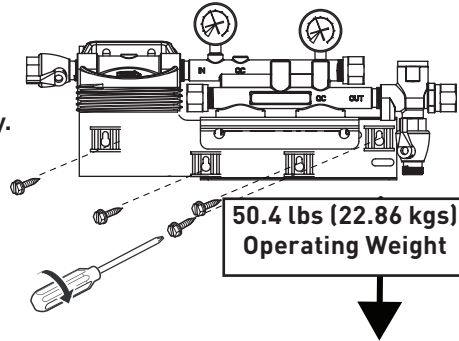
NOTE: Use correct fasteners to mount securely.



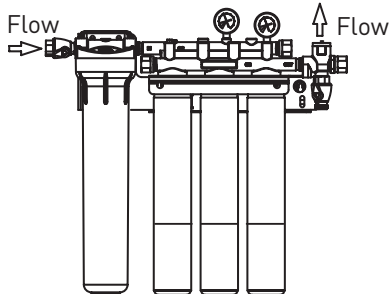
## Twin System



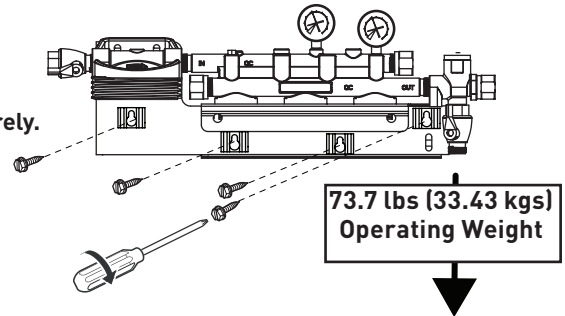
NOTE: Use correct fasteners to mount securely.



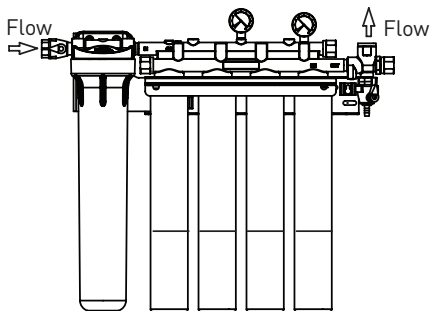
## Triple System



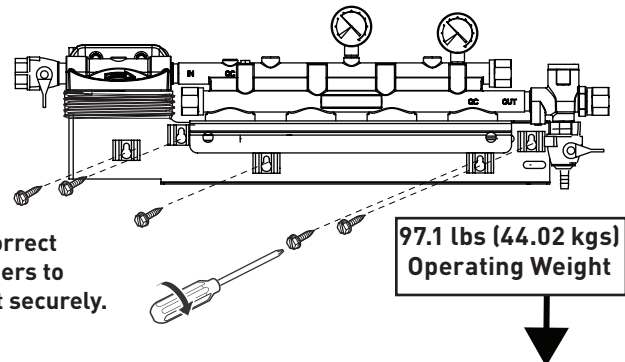
NOTE: Use correct fasteners to mount securely.



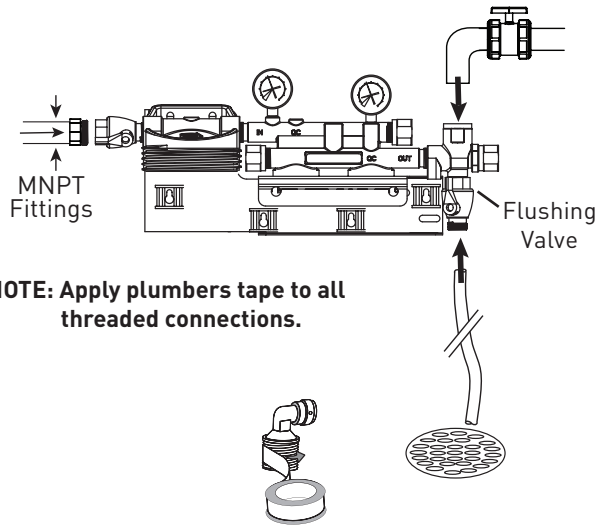
## Quad System



NOTE: Use correct fasteners to mount securely.

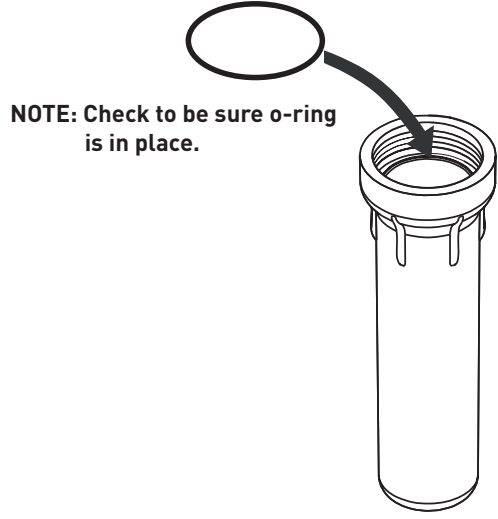


**2** Attach Water Lines



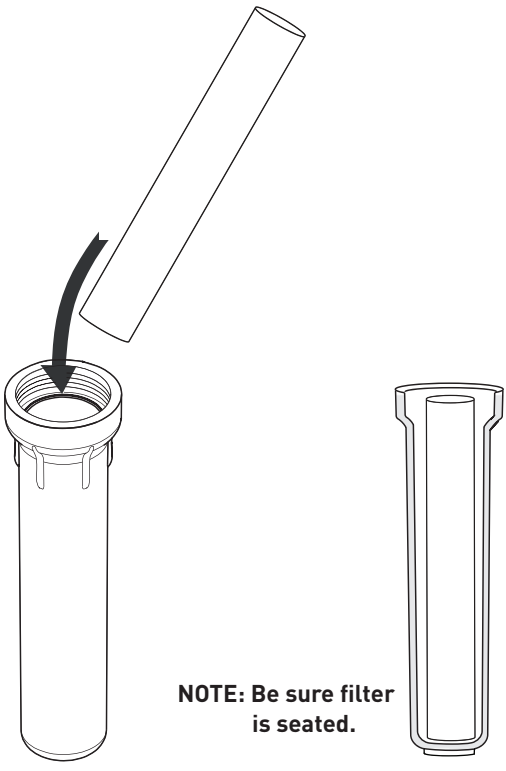
**NOTE:** Apply plumbers tape to all threaded connections.

**3** Inspect O-Ring



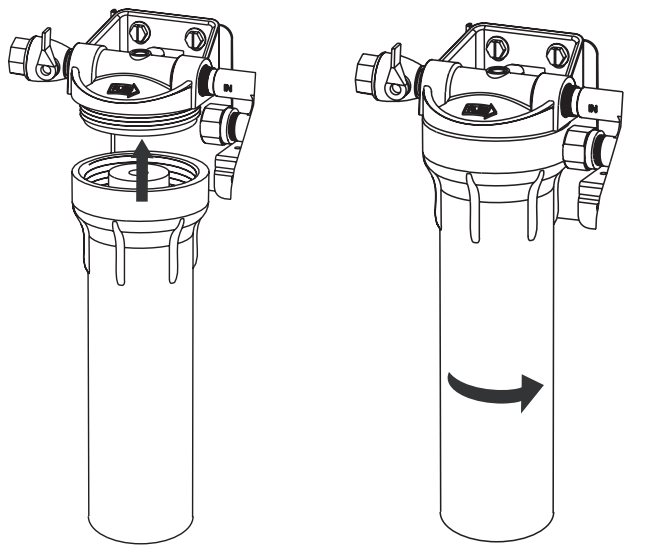
**NOTE:** Check to be sure o-ring is in place.

**4** Insert Filter

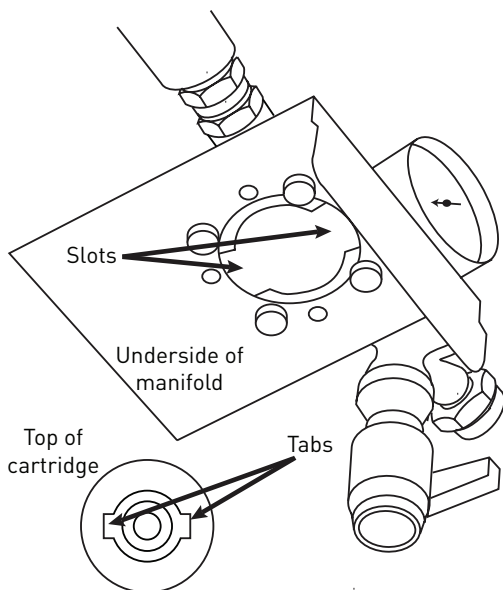


**NOTE:** Be sure filter is seated.

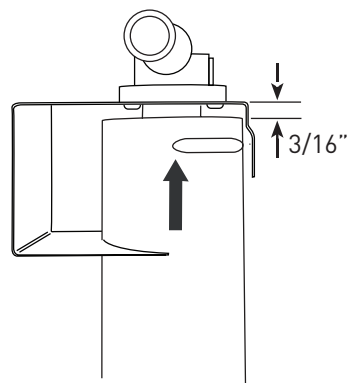
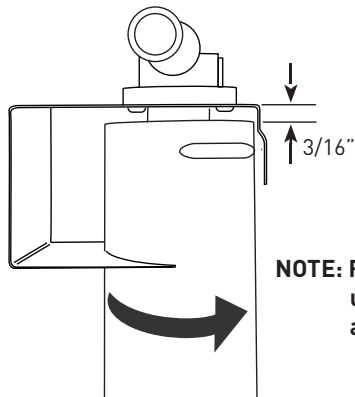
**5** Attach and Tighten Prefilter



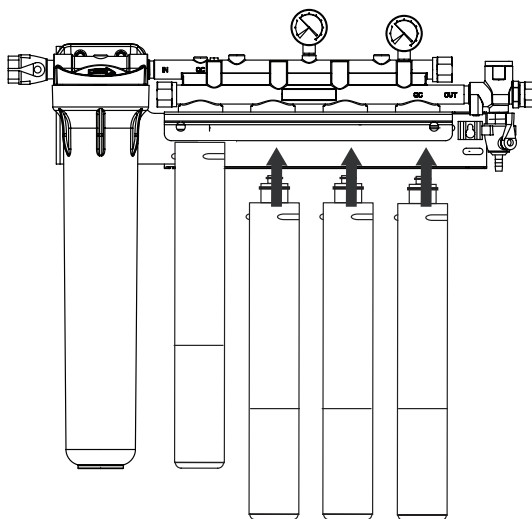
**NOTE:** Hand tighten.

**6****Identify Cartridge Locator Tabs**

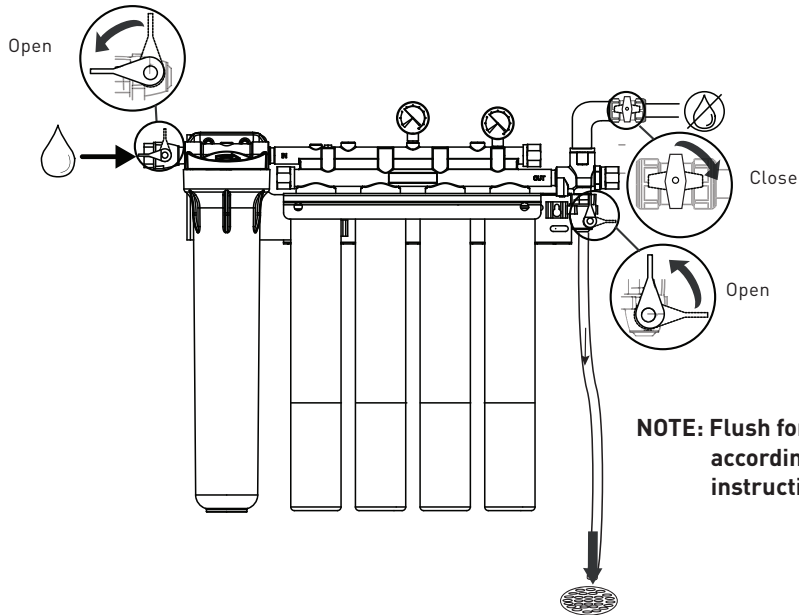
**NOTE:** Tabs on cartridge must go through the slots in the manifold.

**7****Insert Cartridge****8****Lock Cartridge in Place**

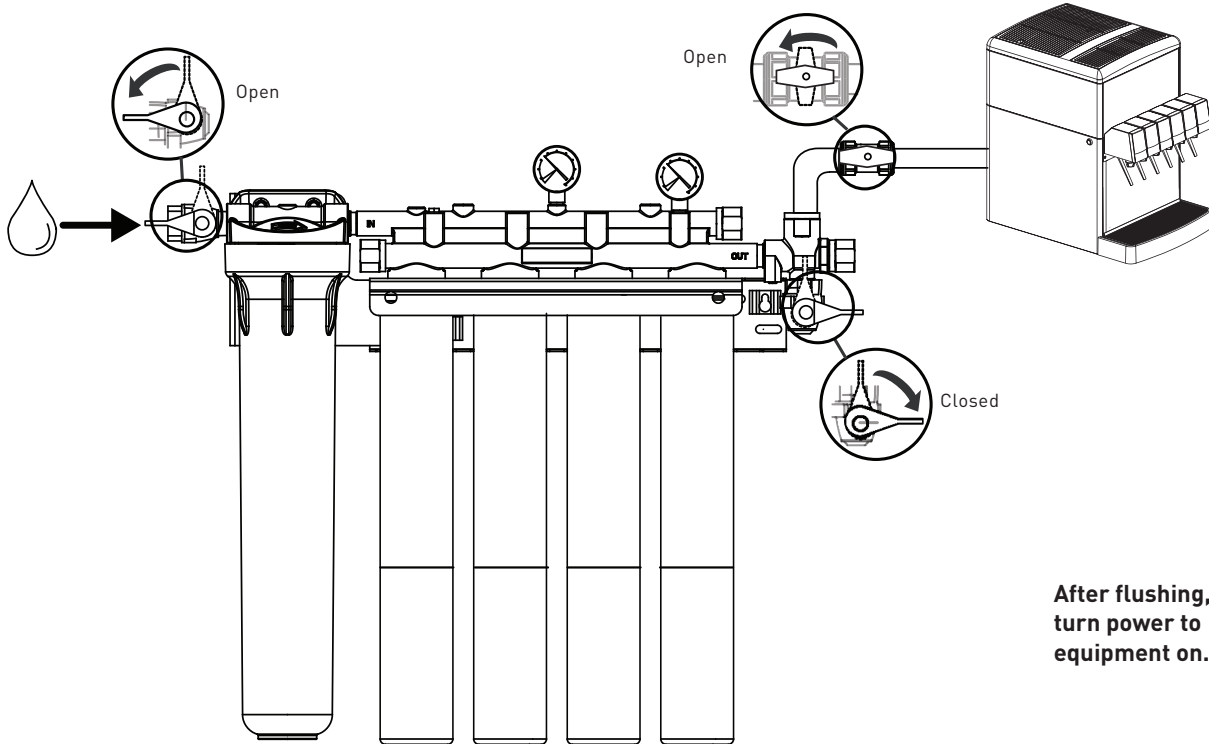
**NOTE:** Rotate cartridge until locked, approx. 90°.

**9****Insert Remaining Cartridges**

## 10 Flush Cartridges



## 11 Put into Operation



## OPERATING SPECIFICATIONS\*

Combined Model Name	Part Number	Flow Rate	Capacity
Coldrink System 1 - 7CLM*	EV9771-21	1.67 gpm (6.32 Lpm)	7,500 gals (28,390 L)
Coldrink System 1 - 7CLM*		1.33 gpm (5.03 Lpm) <sup>†</sup>	9,500 gals (35,961 L) <sup>†</sup>
Coldrink System 1 - 7CLM*		1.00 gpm (3.78 Lpm) <sup>†</sup>	12,600 gals (47,696 L) <sup>†</sup>
Coldrink System 2 - 7CLM*	EV9771-22	3.34 gpm (12.64 Lpm)	15,000 gals (56,781 L)
Coldrink System 2 - 7CLM*		2.66 gpm (10.06 Lpm) <sup>†</sup>	19,000 gals (71,922 L) <sup>†</sup>
Coldrink System 2 - 7CLM*		2.00 gpm (7.57 Lpm) <sup>†</sup>	25,200 gals (95,392 L) <sup>†</sup>
Coldrink System 3 - 7CLM*	EV9771-23	5.01 gpm (18.96 Lpm)	22,500 gals (85,171 L)
Coldrink System 3 - 7CLM*		4.00 gpm (15.14 Lpm) <sup>†</sup>	28,500 gals (107,884 L) <sup>†</sup>
Coldrink System 3 - 7CLM*		3.00 gpm (11.35 Lpm) <sup>†</sup>	37,800 gals (143,088 L) <sup>†</sup>
Coldrink System 4 - 7CLM*	EV9771-24	6.68 gpm (25.29 Lpm)	30,000 gals (113,562 L)
Coldrink System 4 - 7CLM*		5.33 gpm (20.17 Lpm) <sup>†</sup>	38,000 gals (143,845 L) <sup>†</sup>
Coldrink System 4 - 7CLM*		4.00 gpm (15.14 Lpm) <sup>†</sup>	50,400 gals (190,784 L) <sup>†</sup>

\*For individual cartridge specifications, refer to cartridge literature.

<sup>†</sup>Not Performance Tested or Certified by NSF.

Temperature: 35 - 100°F (2 - 38°C)

Pressure: 10 -125 psi (0.7 - 8.6 bar), non-shock

For cold water use only.

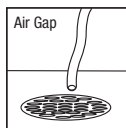
## INSTALLATION

- Use the predrilled mounting holes in the manifold bracket as guides. Mark and drill anchor hole. Mount securely.
- Shut off power to equipment.
- Connect outlet port of Coldrink - 7CLM\* Series System to the equipment served. Always use an NSF-approved pipe dope or plumbers tape at all connections. Use a backup wrench on all fittings while connecting to avoid excessive stress on the system components.
- Install a manual shut-off valve leading to the system for servicing.
- Connect inlet water line to inlet valve of Coldrink - 7CLM\* Series Systems. Connect a minimum of 1/2" water line to the Single Coldrink - 7CLM+ Series System for flushing. All other manifolds use a 3/4-inch water line.
- Connect tubing to the flushing valve and run to drain. The cross fitting has a flushing valve installed on the bottom.
- Install the carbon filter cartridge(s) into the filter head(s) following directions on the cartridge label or as shown in the Cartridge Change Procedure section illustrations.

**CAUTION: Unused manifold ports must be plugged. Any ports not plugged will leak.**

- Turn on inlet water to the filter system and check for leaks.
- Open the flushing valve and flush the newly installed cartridge(s) by running feed water for five (5) minutes at full flow or a minimum of 25 gallons (94.6 liters) through flush port. This procedure will help set the filtering media and purge any air and fines, ensuring maximum filter life.
- Disconnect the outlet line and flush one (1) gallon (3.8 liters) of water through the outlet. This will clear any fines that may have entered through the outlet from the previous flushing procedure. This is only applicable on the first installation of the system, or when there is air trapped in the outlet line due to maintenance.
- After flushing, close the flushing valve, turn on power to equipment, and plug the Everguard™ Low Pressure Alarm (LPA), if so equipped, into the electrical outlet. The system is ready for operation.

**NOTE: Some municipal plumbing codes and good sanitary practices require an air gap at the drain termination point.**



- Shut off the system inlet valve located on the inlet of the prefilter head.
- Check to be sure the o-ring on the prefilter housing is sufficiently lubricated. Use a good grade of silicone lubricant, if needed. Position the prefilter cartridge on guide seat in the bottom of the bowl. Then thread the bowl into the head by hand. Use a sump wrench to snug the bowl onto the head.

## FLUSHING

For maximum life, all carbon filter cartridges must be flushed for five minutes at full flow before use.

**ALL NEW CARTRIDGES MUST BE FLUSHED AFTER EACH CARTRIDGE CHANGE BEFORE BEING PUT INTO SERVICE!**

If the cartridges are new, have been properly flushed and both needle and follower register inadequate pressure, or the LPA is sounding, you may be experiencing inadequate water pressure or some restriction may exist in the inlet water line. In either case, the incoming water pressure must be improved to receive optimum filter life.

## CARTRIDGE CHANGE DETERMINATION

- Replace the prefilter cartridge whenever it becomes excessively dirty (observed visually or by flow restriction). Follow the change instructions provided with the cartridge.
- Replace carbon filter cartridges when capacity is reached, or when flow becomes inadequate, but at least annually. All carbon filter cartridges on multiple cartridge systems should be changed at the same time.
- The system pressure gauge or Everguard LPA provides a quick, simple means of determining when the filter cartridge(s) should be changed. Installed on the system outlet manifold, the gauge or LPA can be used to monitor both dynamic (flowing) and static (line) pressure.
- The cartridge(s) should be changed when the pressure gauge needle is in the red area while equipment is in operation, and yet the needle shows adequate line pressure between cycles.
- Observe the needle during the next equipment on cycle. If the needle registers adequate pressure, it can be assumed that the temporary low-pressure condition was caused by a brief power failure or other incoming pressure disruption. If the low pressure condition is not due to an external condition, check/change the prefilter first.
- If the low pressure condition is still not corrected, change the carbon filter cartridges.

## NOTES

Check for compliance with state and local laws and regulations.

Do not use with water that is microbiologically unsafe or of unknown quality without adequate disinfection before or after the system.

**For installations in Massachusetts, the Commonwealth of Massachusetts Plumbing Code 248 CMR shall be adhered to. Consult your licensed plumber for installation of the system. This system and its installation must comply with state and local regulations.**

Not for residential use. For food service applications only.

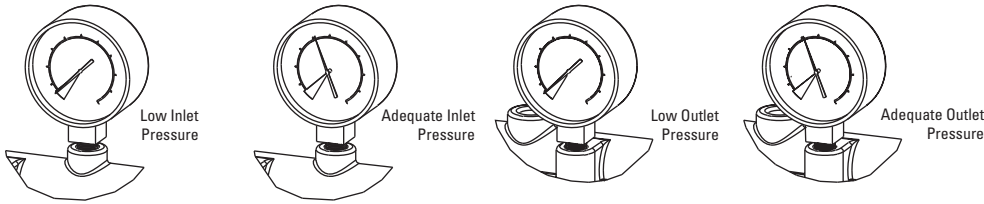
## REPLACEMENT PARTS

Contact your local Pentair® Everpure® dealer for filter cartridges or system replacement parts.

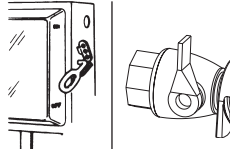
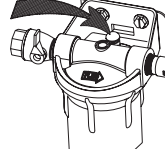
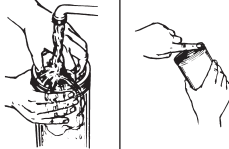
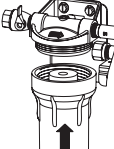
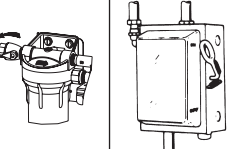
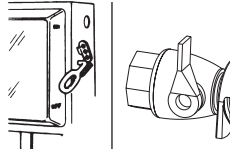
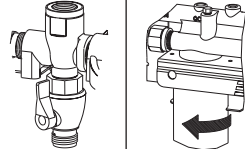
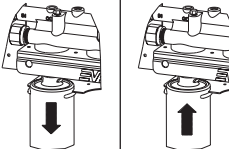
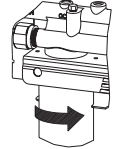
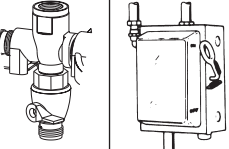
Description	Part Number
Outlet Pressure Gauge	EV3114-09
Inlet Pressure Gauge (Coldrink 2 - 4)	EV3114-09
Inlet Valve (All systems)	EV3114-07
Coldrink 1 Flush Valve	EV3102-01
Coldrink 2 - 4 Flush Valve	EV3122-48
O-Ring for Prefilter	EV3112-40
20-inch Prefilter Bowl	153195-06
7CLM* Replacement Cartridge 1PK	EV9771-00
20-inch EC-210 Replacement Prefilter 6PK	EV9534-26
Bypass Plug	EV3108-76



**PRESSURE GAUGES**



**CARTRIDGE CHANGE PROCEDURE**

 <p><b>Everpure E-Series Prefilter Cartridge Change</b></p> <ol style="list-style-type: none"> <li>1. Shut off power to equipment. Shut off inlet water ahead of system.</li> </ol>	 <ol style="list-style-type: none"> <li>2. Push red relief valve. Unscrew bowl. Remove prefilter cartridge.</li> </ol>	 <ol style="list-style-type: none"> <li>3. Clean bowl with filtered water only; NO SPECIAL CLEANERS.</li> <li>4. Feel head o-ring. If dry, lubricate with high quality silicone lubricant.</li> </ol>	 <ol style="list-style-type: none"> <li>5. Install new prefilter cartridge in bowl. Hand tighten bowl onto head.</li> </ol>	 <ol style="list-style-type: none"> <li>6. Turn on water. Turn on power to equipment.</li> </ol>
 <p><b>Everpure Carbon Filter Cartridge Change</b></p> <ol style="list-style-type: none"> <li>1. Shut off power to equipment. Shut off inlet water ahead of system.</li> </ol>	 <ol style="list-style-type: none"> <li>2. Open flushing valve to relieve pressure.</li> <li>3. Hold head firmly and push upward. Turn cartridge to left until it stops.</li> </ol>	 <ol style="list-style-type: none"> <li>4. Pull cartridge downward and out of head.</li> <li>5. Hold head firmly. Align cartridge lug with label. Insert new cartridge firmly into head.</li> </ol>	 <ol style="list-style-type: none"> <li>6. Turn cartridge right 90° until rotation stops.</li> <li>7. Repeat steps 3-6 for remaining cartridges.</li> </ol>	 <p><b>Flushing</b></p> <ol style="list-style-type: none"> <li>8. With flushing valve fully open, flush the cartridge by running water at full flow for five (5) minutes or a minimum of 25 gallons (94.6 liters) through flush port in accordance with instructions on page 7.</li> <li>9. Turn on power to equipment.</li> </ol>

# LIMITED WARRANTY

## COMMERCIAL WATER TREATMENT EQUIPMENT

You have just purchased one of the finest water treatment units made. As an expression of confidence in this product, Pentair Filtration Solutions, LLC ("PFS") offers the following product warranty. This product is warranted against material defects in materials and workmanship to the original end-user when installed in accordance with the PFS specifications. The warranty period commences on the date of purchase and is administered as follows:

**For a period of ONE YEAR**

**Replaceable elements (i.e., filter & water treatment cartridges)\***

**For a period of FIVE YEARS**

**The entire system (excluding replaceable elements)**

The unit must be used in operating conditions that conform to PFS's recommended guidelines. This warranty will not apply if the unit has been modified, repaired or altered by someone not authorized by PFS.

If a part described above is found to have a material defect in materials or workmanship within the specified warranty period, you should notify Pentair® Everpure technical service at the phone number listed below. Any part found materially defective within the terms of this warranty will be repaired or replaced (at PFS's discretion) by your local dealer or Pentair Everpure technical service. You pay only freight from our factory and local dealer charges. Any item repaired or replaced pursuant to this warranty will be covered under the original warranty terms of the system.

PFS is not responsible for damage caused by accident, fire, flood, freezing, Act of God, misuse, misapplication, neglect, oxidizing agents (such as chlorine, ozone, chloramines and other related components), alteration, installation or operation contrary to our printed instructions, or by the use of accessories or components which do not meet PFS's specifications. Refer to the specifications section in the Installation and Operating manual for approved application parameters.

Our product performance specifications are furnished with each water treatment unit. TO THE EXTENT PERMITTED BY LAW, EVERPURE DISCLAIMS ALL IMPLIED WARRANTIES, INCLUDING WITHOUT LIMITATION WARRANTIES OF MERCHANTABILITY AND FITNESS FOR PARTICULAR PURPOSE; TO THE EXTENT REQUIRED BY LAW, ANY SUCH IMPLIED WARRANTIES ARE LIMITED IN DURATION TO THE PERIOD SPECIFIED ABOVE FOR THE ENTIRE WATER TREATMENT UNIT.

As a manufacturer, we do not know the characteristics of your water supply or the purpose for which you are purchasing this product. The quality of water supplies may vary seasonally or over a period of time, and your water usage rate may vary as well. Water characteristics can also differ considerably if this product is moved to a new location. For these reasons, we assume no liability for the determination of the proper equipment necessary to meet your requirements, and we do not authorize others to assume such obligations for us. Further, we assume no liability and extend no warranties, express or implied, for the use of this product with a non-potable water source or a water source which does not meet the conditions for use described in the owner's guide or performance data sheet for this product.

OUR OBLIGATIONS UNDER THIS WARRANTY ARE LIMITED TO THE REPAIR OR REPLACEMENT (AT PFS'S DISCRETION) OF THE FAILED PARTS OF THE WATER TREATMENT UNIT, AND WE ASSUME NO LIABILITY WHATSOEVER FOR DIRECT, INDIRECT, INCIDENTAL, CONSEQUENTIAL, SPECIAL, GENERAL OR OTHER DAMAGES.

Some states do not allow the exclusion of implied warranties or limitations on how long an implied warranty lasts, so the above limitation may not apply to you. Similarly, some states do not allow the exclusion of incidental or consequential damages, so the above limitation or exclusion may not apply to you. This warranty gives you specific legal rights, and you may also have other rights which vary from state to state.

\*Warranty applies to material defects in materials & workmanship only.





#### **WATER QUALITY SYSTEMS**

EVERPURE-SHURFLO WORLD HEADQUARTERS, 1040 MUIRFIELD DRIVE, HANOVER PARK, IL 60133 USA • FOODSERVICE.PENTAIR.COM  
800.942.1153 (US ONLY) • 630.307.3000 MAIN • 630.307.3030 FAX • CSEVERPURE@PENTAIR.COM EMAIL

EVERPURE-SHURFLO AUSTRALIA, 1-21 MONASH DRIVE, DANDENONG SOUTH, VIC 3175, AUSTRALIA  
011.1300 576 190 TEL • 011.61.39.562.7237 FAX • AU.EVERPURE@PENTAIR.COM EMAIL

EVERPURE-SHURFLO CHINA, 21F CLOUD 9 PLAZA, NO 1118, SHANGHAI, 200052, CHINA  
86.21.3211.4588 TEL • 86.21.3211.4580 FAX • CHINA.WATER@PENTAIR.COM EMAIL

EVERPURE-SHURFLO INDIA, GREEN BOULEVARD, B-9/A, 7TH FLOOR - TOWER B SECTOR 62, NOIDA - 201301  
91.120.419.9444 TEL • 91.120.419.9400 FAX • INDIACUSTOMER@PENTAIR.COM EMAIL

EVERPURE-SHURFLO EUROPE, PENTAIR WATER BELGIUM BVBA, INDUSTRIEPARK WOLFSTEE, TOEKOMSTLAAN, 30 B-2200 HERENTALS, BELGIUM  
+32.(0).14.283.500 TEL • +32.(0).14.283.505 FAX • SALES@EVERPURE-EUROPE.COM EMAIL

EVERPURE-SHURFLO JAPAN INC., HASHIMOTO MN BLDG. 7F, 3-25-1 HASHIMOTO, MIDORI-KU, SAGAMIHARA-SHI KANAGAWA 252-0143, JAPAN  
81.(0)42.775.3011 TEL • 81.(0)42.775.3015 FAX • INFO@EVERPURE.CO.JP EMAIL

EVERPURE-SHURFLO SOUTHEAST ASIA, SOUTHEAST ASIA, 390 HAVELOCK ROAD, #04-01 KING'S CENTRE, SINGAPORE 169662  
65.6768.5800 TEL • 65.6737.5149 FAX • CSEVERPURE@PENTAIR.COM EMAIL

All Pentair trademarks and logos are owned by Pentair, Inc. or its affiliates. All other registered and unregistered trademarks and logos are the property of their respective owners. Because we are continuously improving our products and services, Pentair reserves the right to change specifications without prior notice. Pentair is an equal opportunity employer.