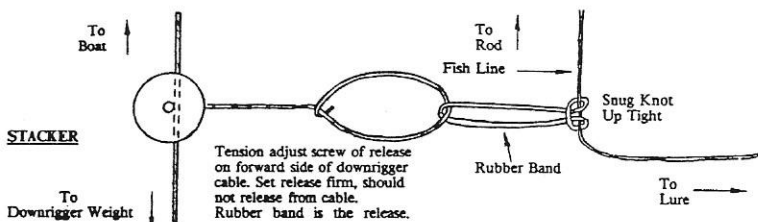


JOLLY RELEASES ON DOWNRIGGERS

JOLLY RELEASES can be adapted to downriggers as stackers and sliders/cheaters. They can be used to supplement your present fishing system or as backup if your main downrigger hardware fails or is lost.

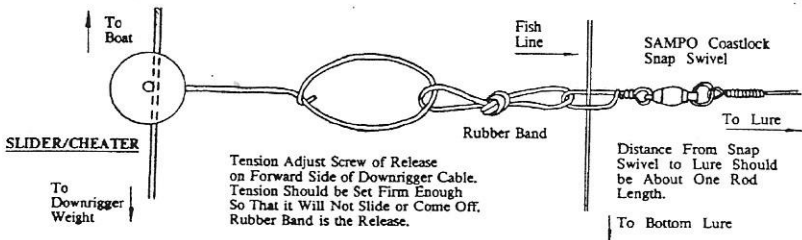
STACKERS

As stackers, JOLLY RELEASES are used as a normal downrigger release that is attached to the downrigger cable. As shown below, the JOLLY RELEASE can be positioned anywhere on the cable and is attached so that it does not come off. Position the release on the cable so that the tension adjust screw is on the forward side of the cable. Set the release tension firm enough so the release will not easily slide up or down or come off accidentally. The release mechanism is the #16, 17, 18 or 19 rubber band that breaks when a fish is hooked. A rubber band with a knot will break with about 2 pounds of pull. If a small fish is hooked and the rubber band does not break, the activity of the fighting fish will be transmitted up the line to the rod tip indicating a hooked fish. As shown below, the rubber band is firmly attached to the fish line with the other end placed in the loop of the release. This rig has the benefit of indicating the status of the fish lines below. Lure action, small fish not released, fouled lines and such can be monitored by the rod tip action.



SLIDERS / CHEATERS

The JOLLY RELEASE can be used as a slider or a cheater to fish additional lures from the same rod. They can be positioned anywhere above the normal release that is attached at or near the downrigger weight. As shown below, the lure is terminated in a snap swivel. (The SAMPO Coastlock swivel is excellent for this purpose.) The snap is clasped around the main fish line and one loop of the rubber band. The other loop of the rubber band is placed in the loop of the JOLLY RELEASE. Attach the release to the downrigger cable so that the tension adjust screw is on the forward side of the downrigger cable. Set the release tension firm enough so the release will not easily slide up or down or come off accidentally. The release mechanism is the rubber band. A #16, 17, 18 or 19 rubber band with an overhand knot as shown will break with about 2 pounds of pull. When a fish is hooked, the rubber band will break and the slider/cheater will stay on the main line and trip the bottom release. If a fish is hooked on the bottom release, that fish will break the rubber band on the cheater and the line will be free. Multiple fish are not uncommon with this system because of the attraction of the fighting fish and the action of the other lure.



JOLLY RELEASES are manufactured and sold by:
Cuddeback Machining, Inc.

18 Draffin Rd.
Hilton, NY 14468
(585) 392-5889

www.cuddebackmachining.com/products/jolly-release-for-side-planers

RIGGING AND USING JOLLY LINE RELEASES FOR SIDE PLANERS

The fishing benefits from using side planers for trolling can be significantly increased by the use of a line release that is easily rigged and adjusted, tangle proof and is low enough in price to allow a handful to be on hand as they are used. **JOLLY LINE RELEASES** meet these requirements.

Rigging a **JOLLY LINE RELEASE** is relatively simple. After the side planers have been deployed out from the boat, select the first rod and lure combination and let the lure play out behind the boat to the desired distance that you wish to fish behind the release. To minimize the possibilities of tangling with other lines when a release occurs, it is helpful to fish all the lines on the same tow line the same distance behind the release. When the desired distance has been achieved, take the release in the left hand and the line in the right hand (for a right-handed person). Hold the bottom of pressure pads of the release between the thumb and middle finger of the left hand (see figure 2). Form a loop of the line around the index finger of the left hand while holding the rest of the line in the right hand. It is not necessary to twist the line. Locate the line between the top of the two rubber pressure pads in the insertion notch and insert the line between the pads. After the line has been positioned between the two rubber pressure pads, use the thumb nut to adjust the release tension. It is important to note that when testing the release tension, that only the single line going to the lure be used. Testing the tension by pulling both lines may give a false sense of adjustment. It should also be noted that the tension release is very adjustable and easy to achieve. After proper adjustment, make a final dressing of the line in the release. The end of the loop can be between 1/2" to 3/4" from the pressure pads (see figure 3). It is now ready to be rigged to the tow line. Open the loop of the release and place around the side planer tow line. Attach the release to the tow line such that the thumb nut is on the bottom, as shown in figure 3 for the starboard tow line. Close the loop and let the release go on the tow line. Let the fishing reel free spool or give the line enough slack so the release and fish line combination slides out the tow line to the desired position for fishing. The drag of the lure and the angle the tow line makes with the boat should be enough to pull the release down the tow line. If there is a strong cross wind tending to push the release and line back towards the boat, pinch a large split shot or clinch sinker on the stem of the release. The additional weight will help pull the release out to the desired position. When the release is in place, take the reel off free spool, check the reel for proper drag and place in rod holder. Repeat the procedure for the other lines. The release/fish combinations can be easily repositioned if necessary, as fish are caught or when lure changes are made.

Additional Notes:

- * To get a feel for placing the line between the rubber pressure pads and adjusting the release tension, practice with a small piece of fish line and release at home or where convenient.
- * If a fish is hooked and the release won't trip either because the tension is too tight or it's a small fish, speeding up the boat will usually provide enough additional pressure to trip the release.
- * If the boat is going straight down wind, power can be cut completely while landing fish and the natural boat drift will keep planer boards and other tackle in proper position.
- * Floating lures such as Rapalas and Rebels are more trouble free than sinking lures since the latter can get hung on bottom if in shallow water and power is cut.
- * The wire form is 0.035" diameter stainless wire and can be used to gap spark plugs in an emergency.
- * **JOLLY RELEASES** can easily be adapted for downriggers and stackers or sliders.
- * Lost or worn out parts can be replaced - please write
- * Have a safe and enjoyable fishing trip!

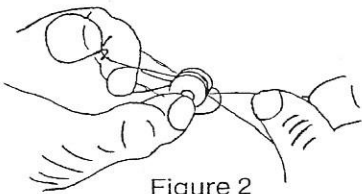


Figure 2

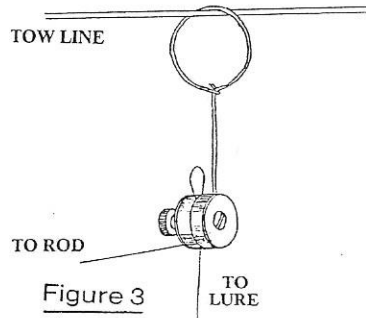


Figure 3

JOLLY RELEASES are manufactured and sold by:

Cuddeback Machining, Inc.

18 Draffin Rd.

Hilton, NY 14468

(585) 392-5889

www.cuddebackmachining.com/products/jolly-release-for-side-planers

SIDE PLANER FISHING

Side Planers have become a popular and effective way of trolling lures away from the boat where fish have not been disturbed and to increase the area covered by the lures. It allows lures to be trolled in shallower areas close to shore where it may be unsafe for a boat.

Many fishermen find side planers are most effectively used with multiple fishing lines, each attached to a release which is clasped around and allowed to slide down the side planer tow line. Each of the release and fish line combinations can be spaced at suitable distances to prevent interference and tangling.

Positioning is easily accomplished by allowing the reel to free spool and letting the release slide further down the tow line, or by cranking in to position it closer to the boat. Taking the reel off free spool will keep the release/fish line combination in place. It may be helpful to fish each lure at about the same distance behind the release to minimize the possibilities of tangles when a line releases. (see figure 1)

When a fish strikes, the fish line releases, and by maintaining boat heading and speed, the fish will end up in the free area behind the boat where it can be played and landed with little interference with the other lines. A very active fish may require reduction of speed, boat maneuvering and possibly repositioning the other lines to prevent tangling. Forward motion of the boat, even though very slow must be maintained to keep the side planers and lines out and away from the boat. After the fish is landed, boat speed and direction can be resumed and the other lines begin fishing immediately. The line that just landed the fish can then be attached to another release, clasped around the tow line and placed into position for fishing.

Having extra releases available on the boat makes it unnecessary to retrieve used releases from the tow line. The used releases on the tow line will pose no serious threat of interference or tangling if they are relatively tangle proof.

Side planers can be used by boats of any size, on oceans, large lakes, small lakes and rivers. They can easily be adapted for use on rivers by shore fishermen where there is enough current to play out the side planer to fish lures steadily out in the river. This can be especially useful on large steelhead streams and rivers where Hot-shots and other good steelhead lures can be fished.

They are suitable for trout, salmon, pike, bass and salt water fishing or anywhere where trolling lures near the surface is productive. Their use and application in combination with an easy to use line release can significantly increase fishing productivity.

There is some evidence that side planers actually attract fish and painting the boards an attractive color such as chartreuse, probably enhances the effect; fish lures close to the planer to maximize this attraction effect.

The JOLLY LINE RELEASE was designed especially for side planer fishing. It is simple, easy to use, finger adjustable and will not damage line. It is ideal for stacking multiple lines, it can be used for light spoons to large salmon plugs and they are economical. In addition, they can be adapted for downriggers as stackers and sliders.

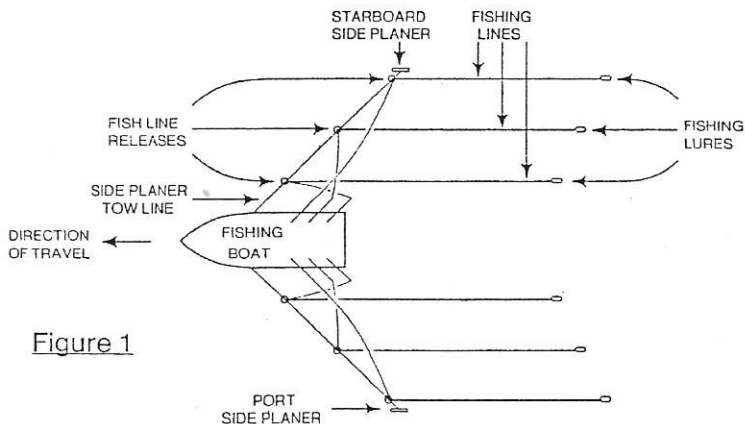


Figure 1

JOLLY RELEASES are manufactured and sold by:

Cuddeback Machining, Inc.

18 Draffin Rd.

Hilton, NY 14468

(585) 392-5889

www.cuddebackmachining.com/products/jolly-release-for-side-planers