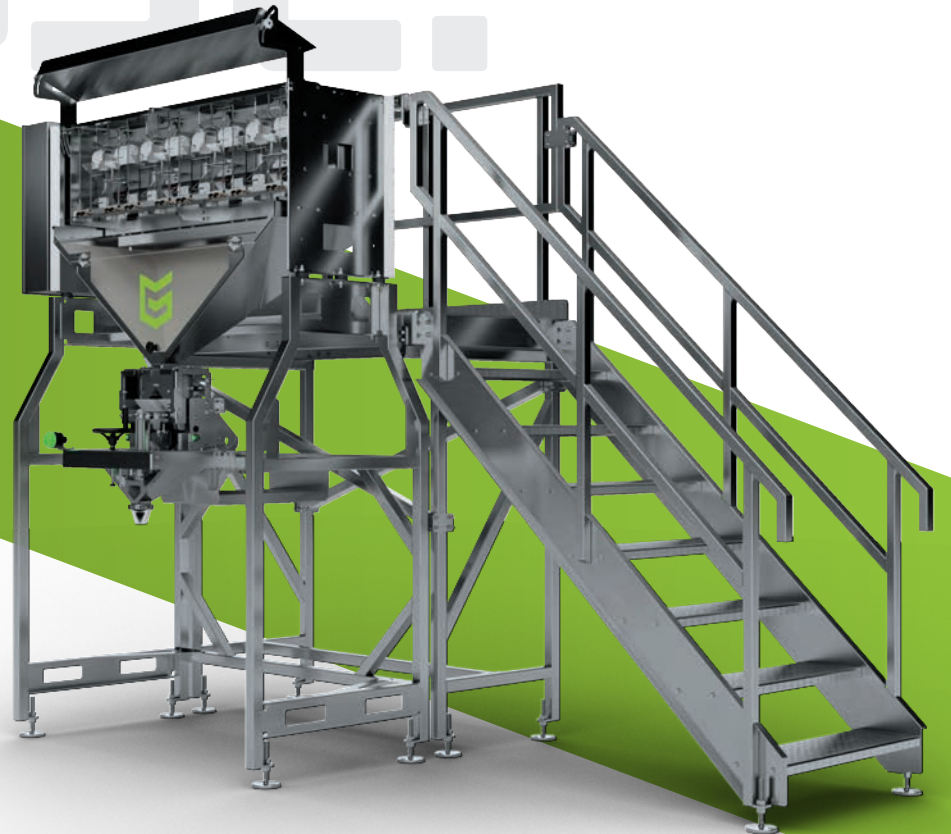


BUILT FOR
A HIGHER
PURPOSE.



GREEN VAULT
SYSTEMS

THE COMPANY4 - 5

PRECISION BATCHER6 - 9

ACCESSORIES10 - 15

AIRKUSH® TECHNOLOGY16 - 17

SERVICE AND MORE18 - 21



TO US, PRECISION ISN'T A WORD, IT'S OUR LIFE'S WORK.

We're a unique collection of problem solvers who come from different parts of the globe, different backgrounds, and different industries. What unites us is the belief that any truly useful tool should be built for its one true purpose. For us, that meant combining our expertise and decades of experience to developing machines exclusively for cannabis and nothing else.

Of course, you can't set out to become the premier supplier of purpose-built cannabis automation and processing technology without an abiding passion for the heart of it all: the flower. Our respect for the flower fueled our vision for large scale weighing, packaging, and processing that was light years ahead of the industry.



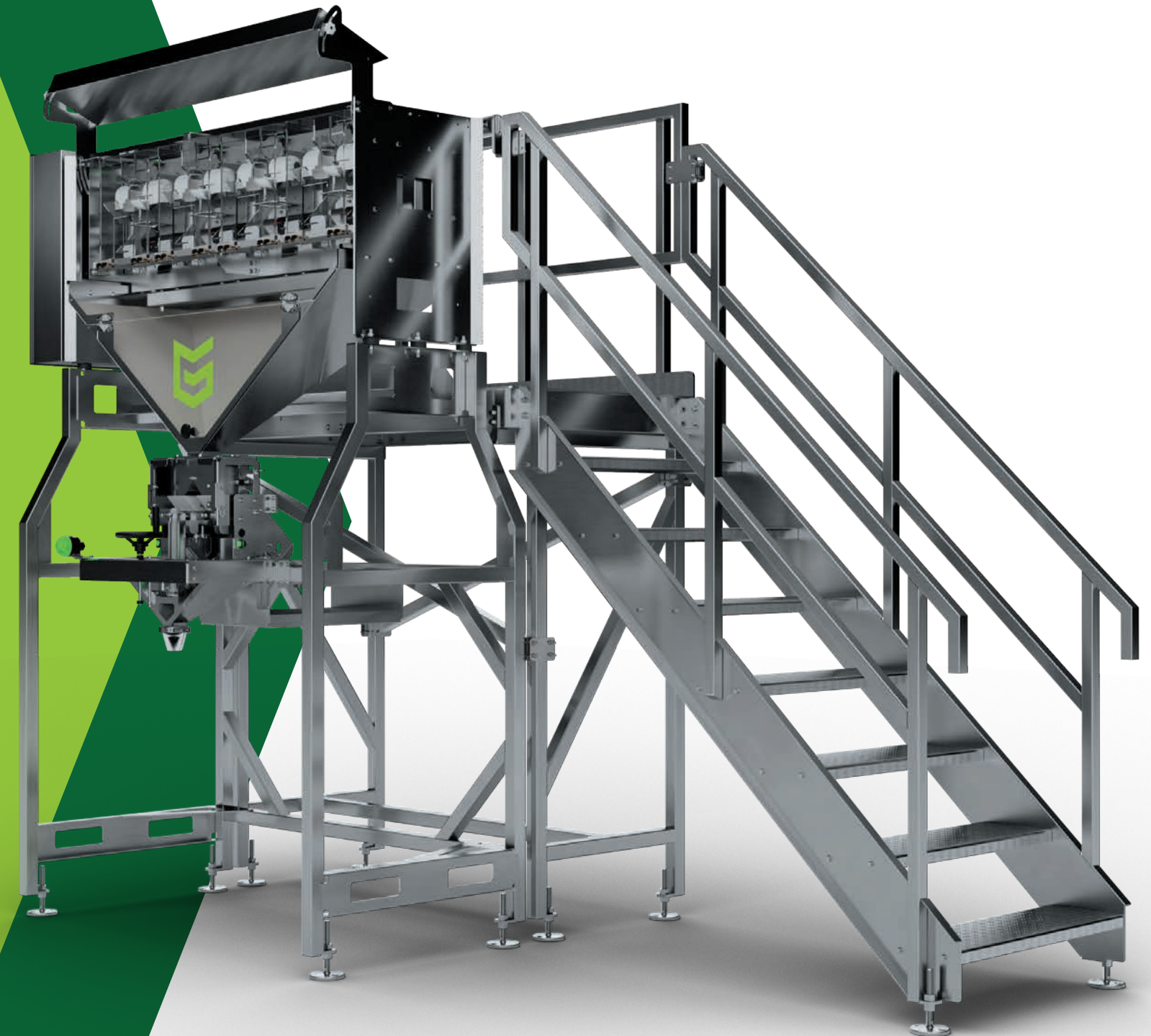


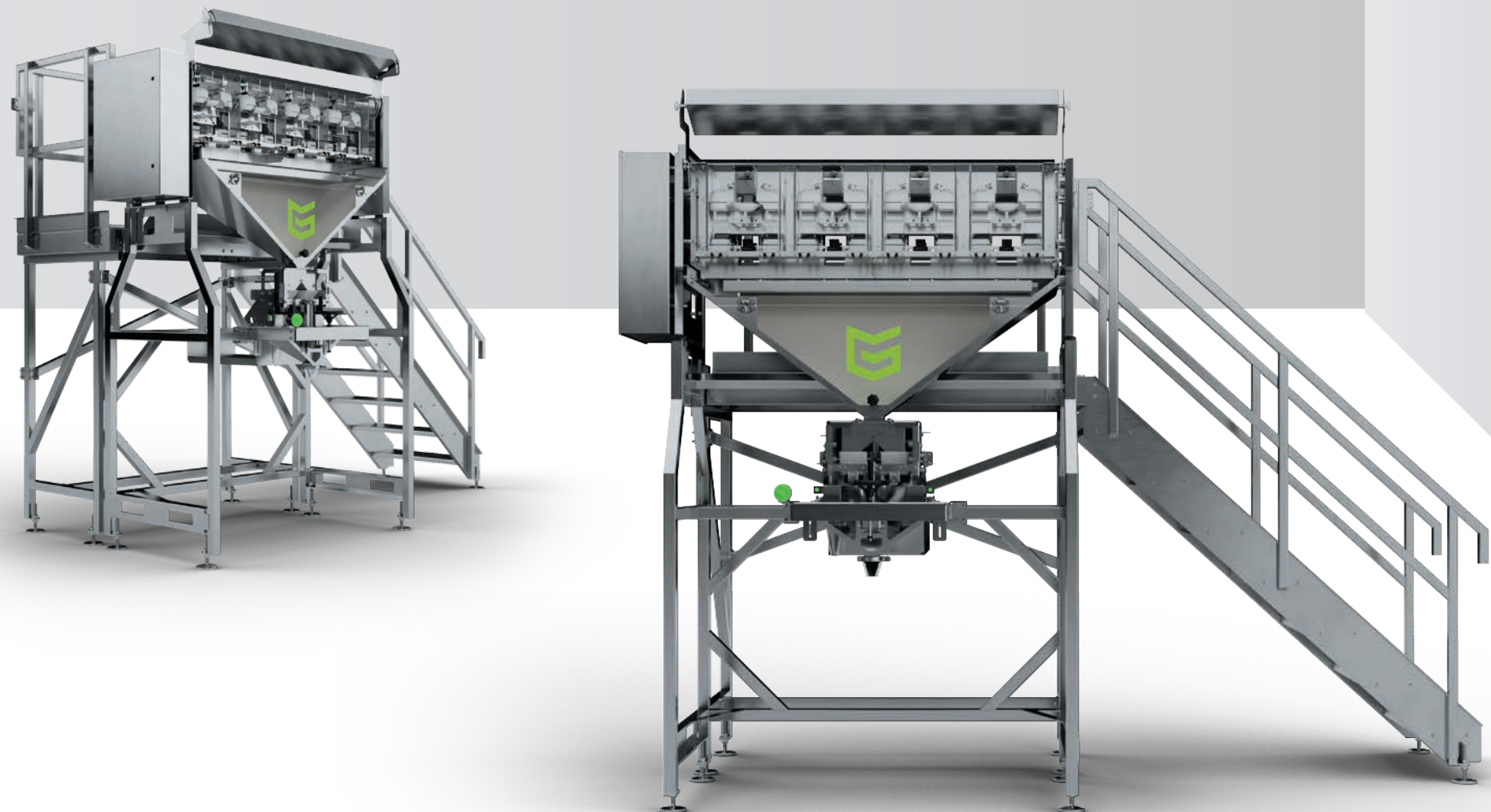
PRECISION BATCHER

The flexibility and accuracy of the Precision Batcher are second to none when it comes to batching and packaging cannabis flower. Fully configurable to your evolving needs, its level of exactness is light years beyond what can be achieved by hand. The result is a machine that pays for itself remarkably fast.

Using our patented Airkush Technology®, the Precision Batcher uses gentle puffs of air instead of vibration to move your flower through the machine for a higher-quality, more beautiful, potent flower every single time.

We are experts in the packaging process, and the Precision Batcher is the only specifically designed weight batcher for the cannabis industry — delivering ultra-high tolerances and capacities that not only increase overall product value but reduce labor and handling for enhanced product quality.





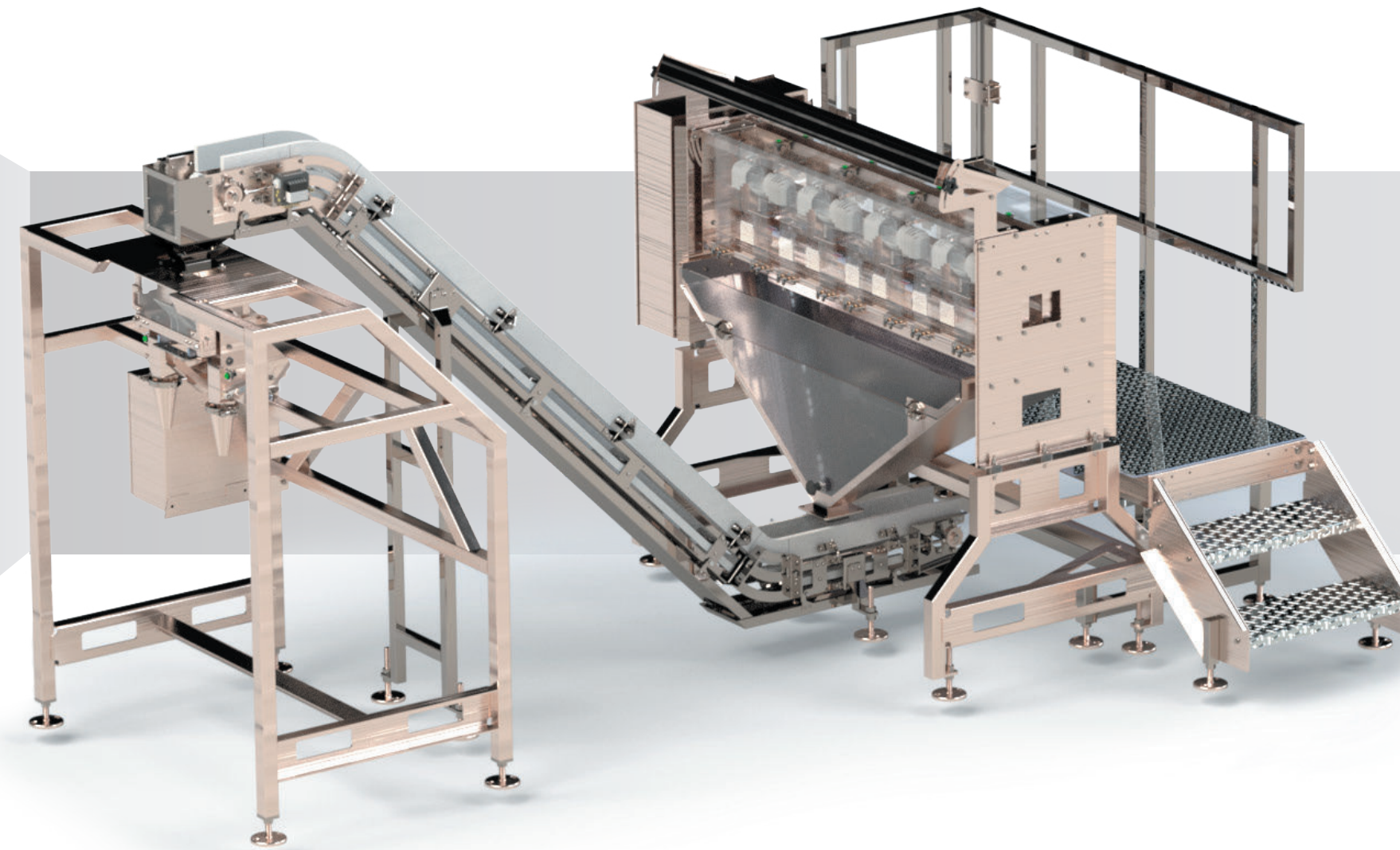
| | |
|---|---|
| ACCURATE PACKAGES AN HOUR | 800-1000 |
| TYPICAL ROI WHEN BATCHING 50 POUNDS PER WEEK | 3-8 Months* |
| WEIGHING ACCURACY | 0.01 Grams** |
| INPUT AIR | 100psi @ 5cfm |
| BATCH SIZES | 0.5 - 10g |
| BATCHING METHODS | By Weight By Count Star Piece Min/Max Piece Weights |
| POWER VOLTAGE | 110 VAC 1 Phase 10 Amp Available (220 VAC, 1 Phase, 5 Amp) |
| DIMENSIONS | High Configuration 142" x 67" x 120" 1300 lbs |
| MATERIALS | 304 Stainless Steel PET-G |
| CONFORMITY | C-UL 508A GMP Compliant NSF Materials CE |

SPECS >>

*Please take a look at our ROI calculator at greenvaultsystems.com for your unique calculation.
**Packaging consistency typical average for 1/8th is 3.53-3.55g.

SPECS >>

| | |
|---|---|
| ACCURATE PACKAGES AN HOUR | 800-1000 |
| TYPICAL ROI WHEN BATCHING 50 POUNDS PER WEEK | 3-8 Months* |
| WEIGHING ACCURACY | 0.01 Gram** |
| INPUT AIR | 100psi @ 5cfm |
| BATCH SIZES | 0.5 - 10g |
| BATCHING METHODS | By Weight By Count Star Piece Min/Max Piece Weights |
| POWER VOLTAGE | 110 VAC 1 Phase 10 Amp Available (220 VAC, 1 Phase, 5 Amp) |
| DIMENSIONS | Low Configuration 73" x 154" 82" 1300 lbs. |
| MATERIALS | 304 Stainless Steel PET-G Polyethylene |
| CONFORMITY | C-UL 508A GMP Compliant NSF Materials CE |



*Please take a look at our ROI calculator at greenvaultsystems.com for your unique calculation.

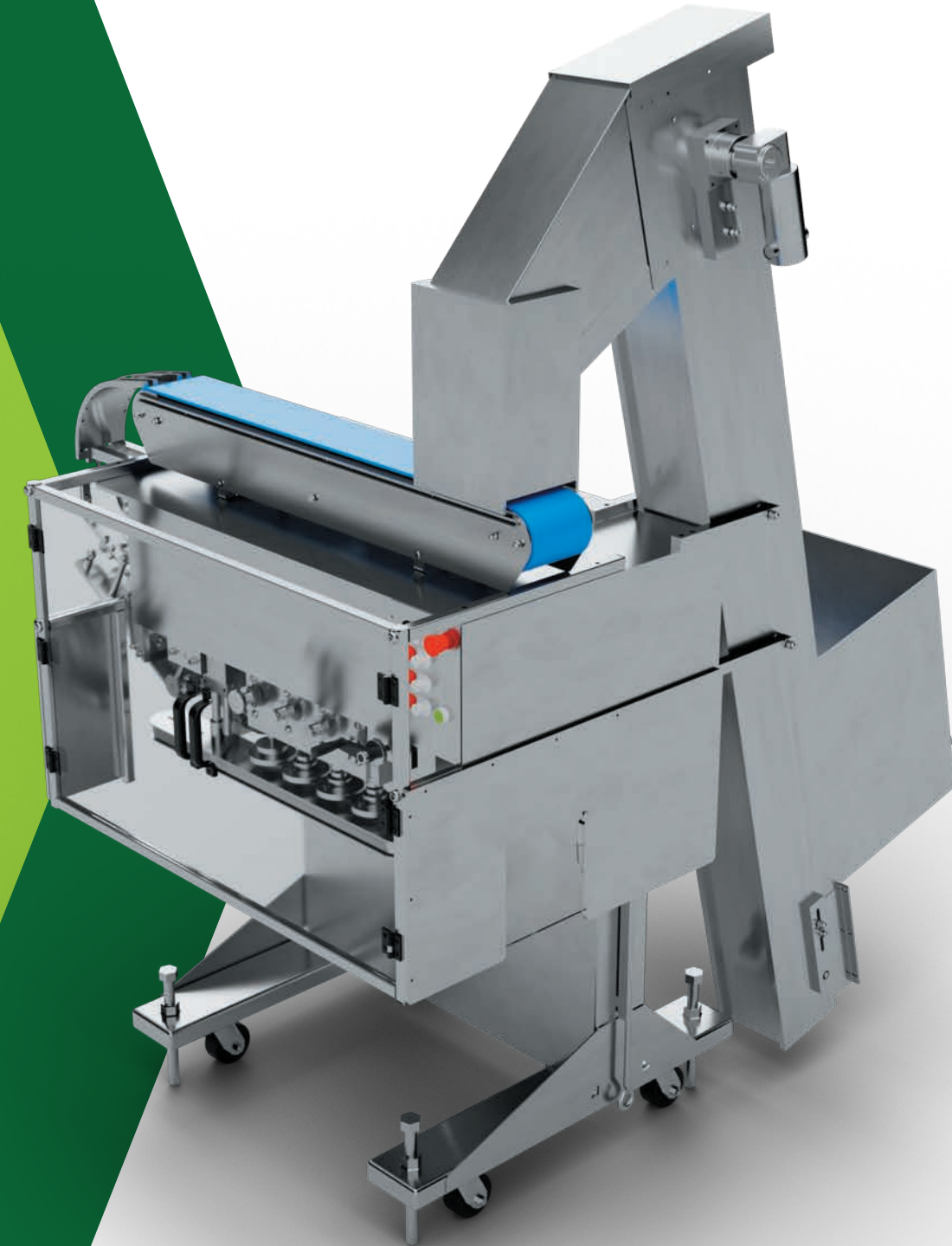
**Packaging consistency typical average for 1/8th is 3.53-3.55g.



ACCESSORIES

Our automated cannabis packaging systems can handle bags, jars, cans, and more. Plus, our systems are customizable — allowing you to add on according to your needs and on your own timeline. Package precisely, efficiently, and gently with a system that adapts as your business grows.

We offer flexible responsive solutions to the constantly evolving cannabis industry.





« BULK FEED AND SINGULATING CONVEYOR
 Allow for easy loading and automatic singulating of jars and other round containers.

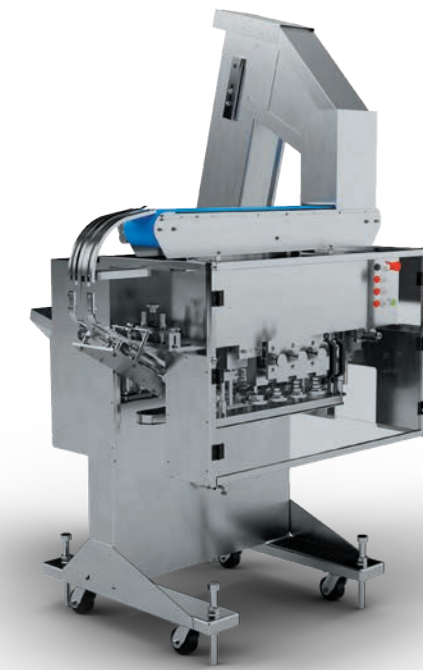


« JAR FILLING CAROUSEL
 Automatically indexes, fills, and weighs each batch of flower. Optional plunger ensures proper fill for bulky product and smaller diameter containers.

CAPPING/FINISH CONVEYOR
 Automatically moves filled jars and other round containers through capping machine, jar sealer, and other finish components.



« RADIUS CONVEYOR
 Left or right 90 degree conveyor.



« CAPPING MACHINE
 Automatically applies and torques caps to jars.

ACCUMULATING TURN TABLE
 Collects finished jars and other round containers for easy removal or buffering for further labeling systems, etc.



PRECISION INFEED

Featuring **AIRKUSH**[®]
TECHNOLOGY

Significantly increases production efficiency over manual feeding.



Automatically Feeds Flower to Precision Batcher using GVS's exclusive AirKush[®] product transfer.

Optional Machine Vision for accurate bud counts when bulk feeding.

Optional Bulk Feed conveyor for fully autonomous product feeding.

OTHER ACCESSORIES:

- Auto Labeling Machines
- Batch Delivery for Bagging
- Heat Seal Band Applicators
- Snap Cappers
- Induction Sealers
- Nitrogen/Argon Flush

HEAVY MACHINERY. LIGHT TOUCH.

Because we dedicated ourselves to machines for the cannabis industry only, we looked beyond techniques like vibration — and turned instead to air.

Not just any air, but gentle puffs of air.

The reason: softer air movement practically eliminates flower agitation, which preserves the trichomes and terpenes on the flower. This means a higher potency, better market price, and better consumer experiences that live up to your brand's high standards.

But won't gentler also be slower? Not at all. In fact, the Precision Batcher can produce over 20 batches of dried flower per minute.

And **AirKush Technology**® is so precise, so accurate, that customers who add the Precision Batcher into their system should expect to have paid for the machine within a short period of time.

The background of the right page is a photograph of a mountain peak, likely Mount Fuji, rising above a thick layer of white clouds. The sky is a pale, hazy blue. The text 'AIR KUSH TECHNOLOGY' is overlaid on the right side of the image. 'AIR' is in a bold, white, sans-serif font. 'KUSH' is in a larger, bold, white, sans-serif font with a registered trademark symbol (®) to its upper right. 'TECHNOLOGY' is in a smaller, white, sans-serif font below 'KUSH'.

AIR KUSH®
TECHNOLOGY

SPECS >>

- Accurately count a range of products (e.g. Bags, Jars, Tubes) of varying size and quantity.
- High speed automatic counting eliminates manual counting errors, and significantly reduces labor.
- Simple LED display and controls.
- Robust and compact, made of stainless steel and aluminum.
- Use as standalone counter or as part of a production line.

| | |
|------------------------------|---|
| DIMENSIONS | Approx. 24" x 18" x 9" |
| BELT WIDTH | 8 inch |
| CONSTRUCTION | Stainless Steel & Non-Corrosive Food Approved Materials |
| MIN. PIECE SIZE | 1/2" x 1/2" x 1/2" |

PRODUCT COUNTER

Developed and built in the USA, the GVS Product Counter is a digital counting machine designed for high speed, accurate counting of products and packages of varying shapes and sizes. Utilizing highly precise sensors, the Product Counter significantly reduces labor and counting errors by retaining accurate piece counts, as operators feed product through the counter at speeds of over 100+ pcs/min.

This unit is rugged. Its robust stainless steel and aluminum construction is engineered and built for many years of reliable service.



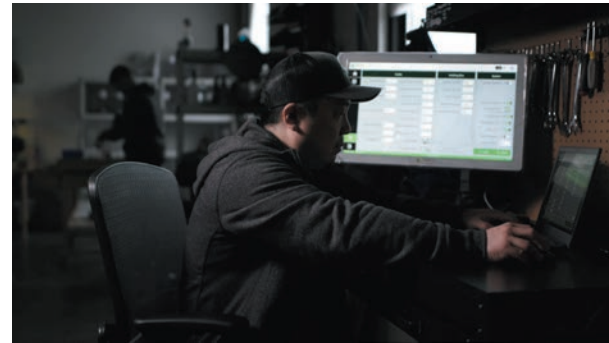
WE ARE MORE THAN MACHINES. A WHOLE WORLD MORE.

SERVICE

Whether you like consultation for best practices, general support, or want to develop an annual preventive maintenance plan, our team will be there with our 24/7 remote access to ensure your equipment is maintained and working properly. Our mission is to assist in helping you get the most from your investment. Because your success is our success.

CONSULTING

Our expertise is cannabis processing, and our team will work with you to develop solutions to set you apart from the competition. From small scale customized solutions, to large scale automation projects, let us put our experience to work for you.





FAMILY TIES... BINDING AN ENTIRE INDUSTRY TOGETHER.

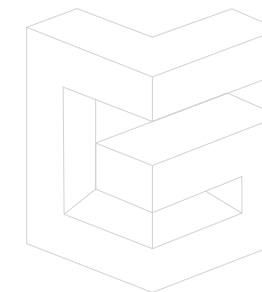
We are a family at the core of the cannabis revolution. We know the promise of our industry. The growth will be almost unimaginable, and our goal is to be on the forefront of this exciting journey forward.

Everyone at Green Vault Systems counts as kin — employees, business partners, and grower-customers.

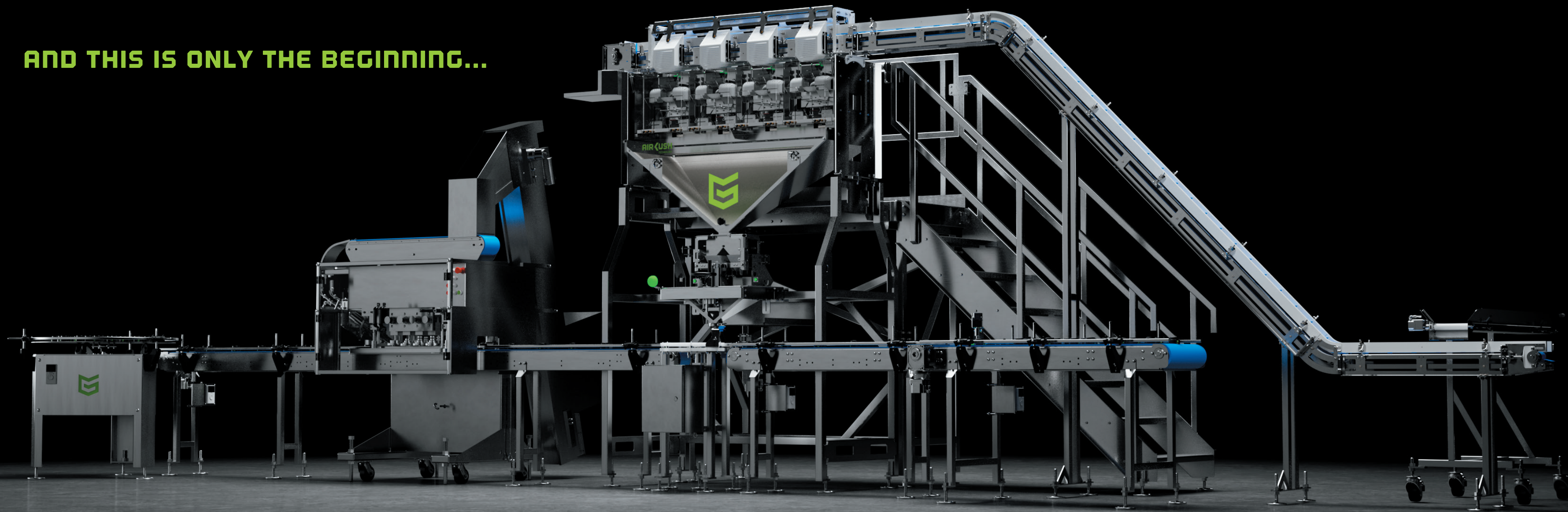
In our previous lives, our responsibilities included developing and implementing world-class processing facilities for the likes of Walmart, Outback Steakhouse, and the seafood processing industry. We knew it was possible to create the same for the cannabis industry.

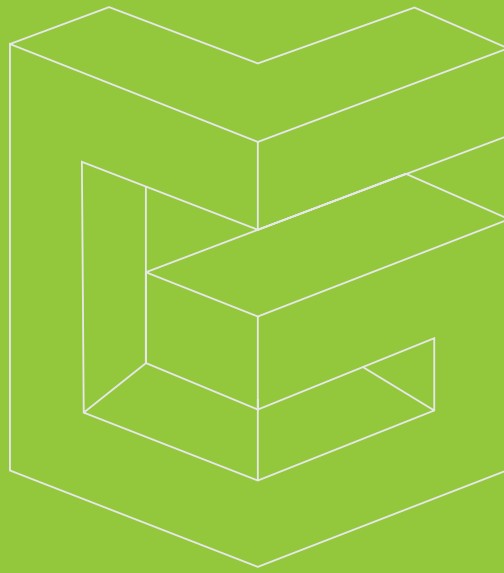
We set out to work, and enlisted the help of local growers who gave us critical industry feedback. We listened. Upon testing our machine... and after numerous hours and many iterations... the Precision Batcher was born: purposely built just for cannabis.

A purpose that will always be at our core.



AND THIS IS ONLY THE BEGINNING...





GREEN VAULT
SYSTEMS

425.230.4050 / [GreenVaultSystems.com](https://www.GreenVaultSystems.com)

MADE IN THE USA

© Green Vault Systems 2021