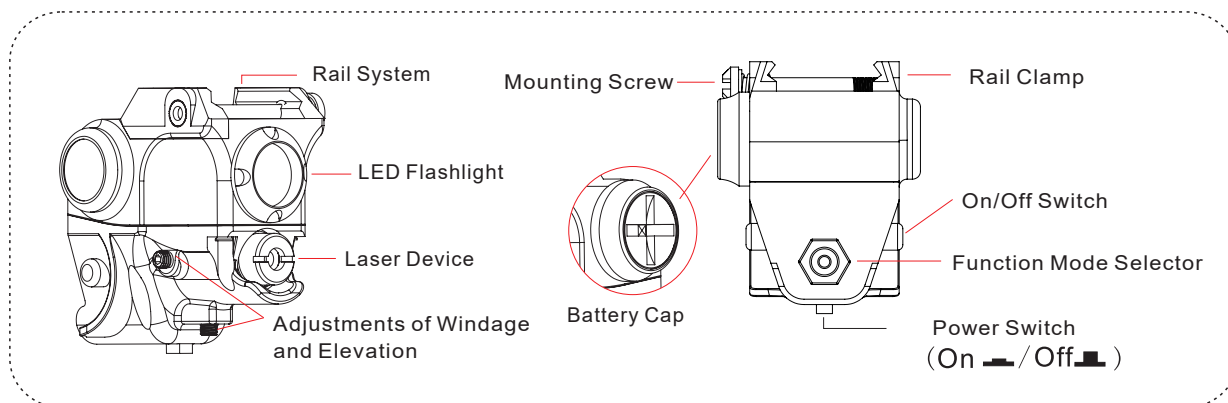


LS-CL1 Laser Sight & Tactical Light Combo

Features

- Laser sight and tactical light combination.
- Low profile and compact design with Picatinny rail mount.
- Tool free laser adjustments.

Structure



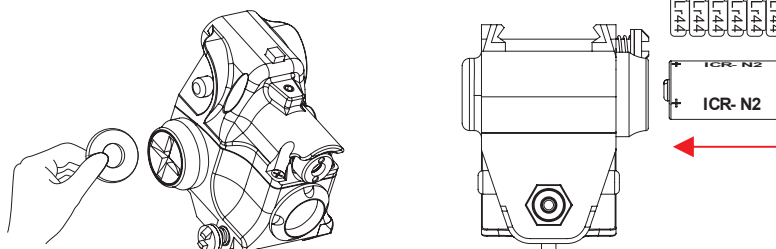
Model Family(s) & Specification

LS-CL1-G (Green Laser Sight and Tactical LED Light)	
LS-CL1-R (Red Laser Sight and Tactical LED Light)	
LS-CL1-IR (IR Laser Sight and Tactical LED Light)	
Green Laser	510-532nm, <5mW, Class 3A
Red Laser	635-660nm, <5mW, Class 3A
IR Laser	830-850nm, <0.7mW, Class 3A
Material	Fiber Reinforced Nylon
Dimension	52(L)*38(W)*46(H)/mm
Net Weight	46g
Battery Type	LR44(6pcs) or 1/3N Battery(3pcs) or ICR-N2(1pcs)

Delivery Sets

- Laser Sight and LED Combo
 Wrench
 User Manual
 2CR-N2 Battery(Optional)
 Charger(Optional)

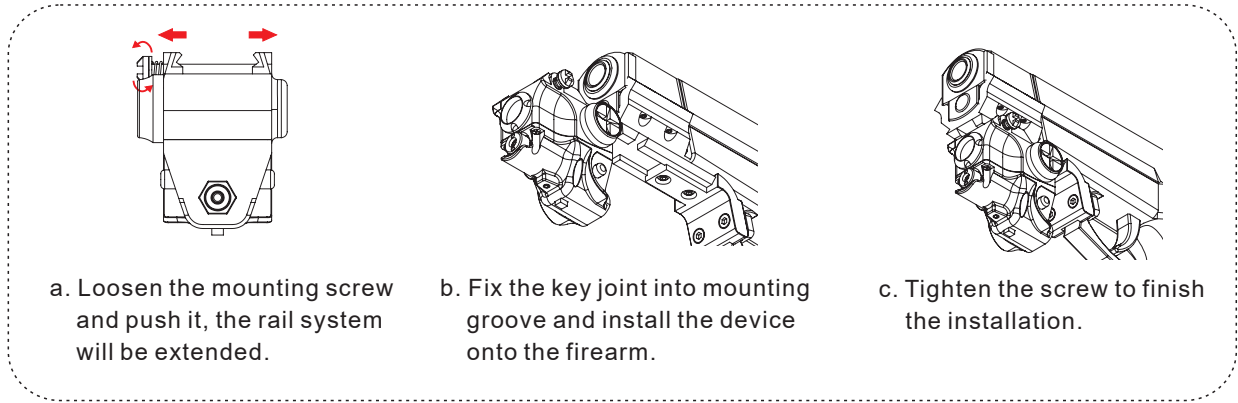
Battery Installation



Unscrew the battery compartment with wrench or coins, insert the battery in the right direction of the battery compartment and tighten the battery compartment.

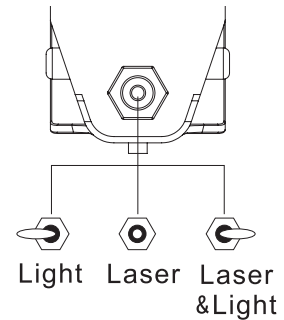
Mounting

WARNING: After first checking to insure that weapon is unloaded and has no ammunition in the chamber.



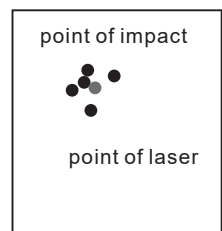
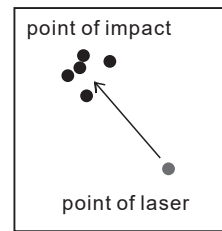
Operating Instruction

- Install battery correctly.
- Press the power switch product connected to battery power, ON/OFF switch is restored. Popped out the power switch and the device is OFF.
- There are two button switches located on both sides of the device. both can operate the ON/OFF switch of the laser.
- Operate the lever function switch and choose working mode for the device. Light, Laser, Laser+Light.



Zero Adjustment

- Fix the laser sight to the barrel on a weapon.
- Place the weapon in a vise or on a shooting bench.
- Place a target about 30m away.
- The next step assumes that the weapon's iron sights or other sighting system is correctly zeroed for 30m. If not, turn the laser off and fire 5 rounds at the target to see the point of impact grouping. If necessary, adjust your sights to the correct point of impact.
- Take aim again using the exact same sight picture as in step #4. Turn on the laser sight and you will see the difference in distance between the laser dot and the real point of impact. To adjust the laser to be point of impact, the windage and elevation will need to be adjusted. Rotating the windage and elevation with Allen wrench to adjust the laser.
- Now use the laser sight, aim at the target, and shoot another group of 5 rounds. If the point of the laser is near the points of impact, then the zero adjustment has been accomplished.



Safety Precautions

- Direct viewing of the laser is hazardous to the eyes.
- Never look directly into the laser beam.
- Never point laser beam at person.
- Do not allow children to use laser sight unless under adult supervision.



Warning: Laser beam is forbidden to shoot eyes and skin directly, blindness and burn will be caused.

Contact Us

Thank you for choosing our products! If you have any questions or comments, contact us at help@cs-supportpro.com and we'll resolve your issue ASAP! For a .pdf copy of the latest version of these instructions, use the appropriate app on your smartphone to scan the QR code to the right.

