

Operator's Manual



Models

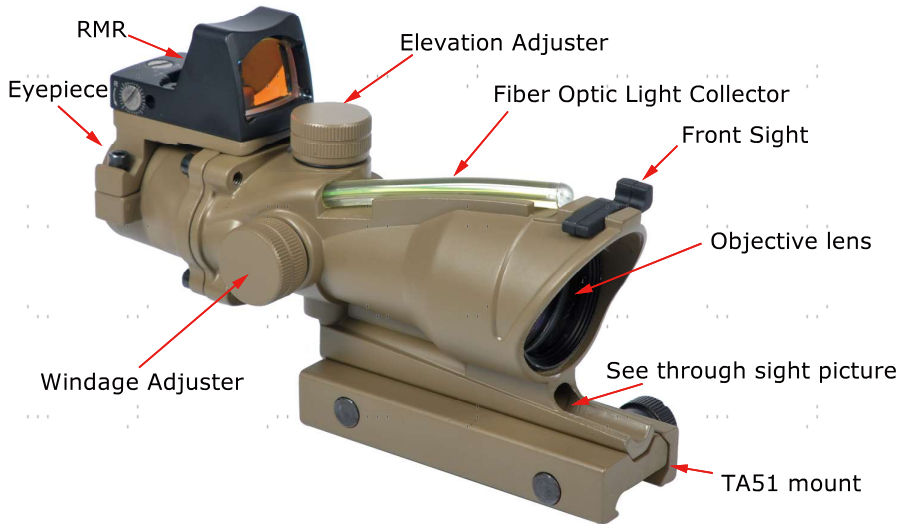
- 1# Optic Fiber 4X32(RMR)
- 2# Optic Fiber 4X32
- 3# Iron Sight 4X32
- 4# Optic Fiber 4X32(Top Rail)

FOR CIVILIAN USE

CHARACTERISTICS

Models	Mag	Objective Lens Diameter	Eye Relief	Exit Pupil	Field of View	Field of view @ 100 yards	Windage & Elevation Adjusters (1 click@ 100 yards)	Display Resolution
1# Optic Fiber 4X32(RMR) 2# Optic Fiber 4X32 4# Optic Fiber 4X32(Top Rail)	4X	1.26 in (32 mm)	1.5 in (38 mm)	.24 in (6 mm)	6°15'	33.0 ft (10.06 m)	1/2 in	5.7

CONTROLS AND INDICATORS



1# Optics Sight 4X32 (RMR)

CONTROLS AND INDICATORS



2# Optic Fiber 4X32

CONTROLS AND INDICATORS



4# Optic Fiber 4X32(Top Rail)

OPTIC FIBER SOURCE

1# / 2# / 4# Optic Scope is powered by real fiber source, providing clear reticle illumination at day and dark circumstance. But it can't work in full darkness.



Produce red illumination



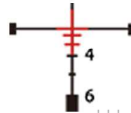
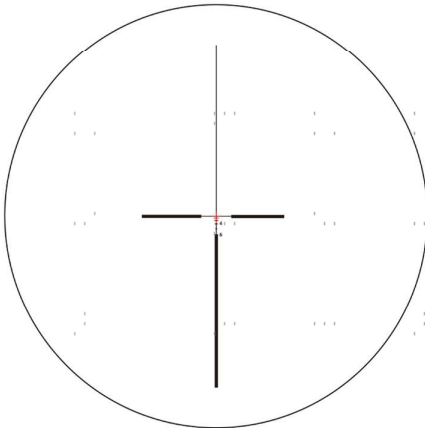
Produce green illumination



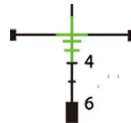
Produce amber illumination

RETICLE ILLUMINATION

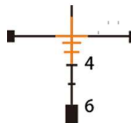
1# / 2# / 4# Optic Scope provides BDC reticle. According to the optic fiber installed on it, there're 3 types illumination color.



Red Illumination



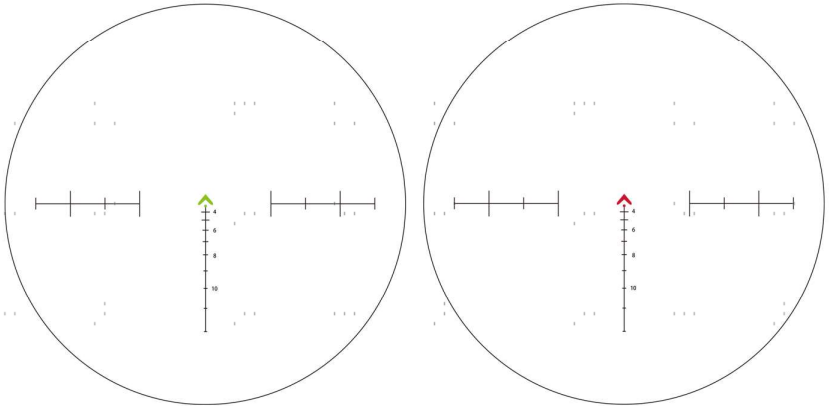
Green Illumination



Amber Illumination

RETICLE ILLUMINATION

1# Optic Scope also provides Chevron reticle.



INSTALLATION PROCEDURES

WARNING:

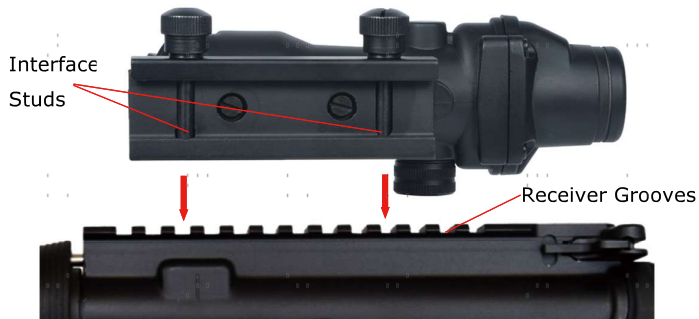
Before installing the optic on a firearm, ensure the weapon is CLEAR. Remove the magazine, pull the charging handle to the rear and ensure the chamber is clear.

Flattop Version

The ACOG 4X32 with flattop adapter is easily attached to the M4 flattop receiver MIL-STD-1913 Rail. Prior to attempting to mount to optic, loosen the Thumb Screws and pull the Interface Clamp Bar back against the Thumb Screws. Place the ACOG 4X32 onto the flattop receiver rail.



Be sure to align the Interface Studs located on the bottom of the adapter with the grooves on the MIL-STD-1913 Rail of the flattop receiver.



The 4X32 can be placed in any of the slots on top of the receiver to allow for eye relief adjustment. Once the ideal position has been determined, apply forward pressure on the optic and tighten the knobs firmly using finger pressure only. Then, add no more than another 1/4 turn utilizing a coin or a bladed screwdriver. This will ensure the mount will not loosen under recoil.

Adapter Disassembly

The TA51 mount is removed by removing the two screws from the underside of the mount. Use a 1/4 inch flat tip screwdriver to remove the screws.



CONTACT US

Thank you for choosing our products! If you have any questions or comments, contact us at help@cs-supportpro.com and we'll resolve your issue ASAP!

For a .pdf copy of the latest version of these instructions, use the appropriate app on your smartphone to scan the QR code to the right.

