

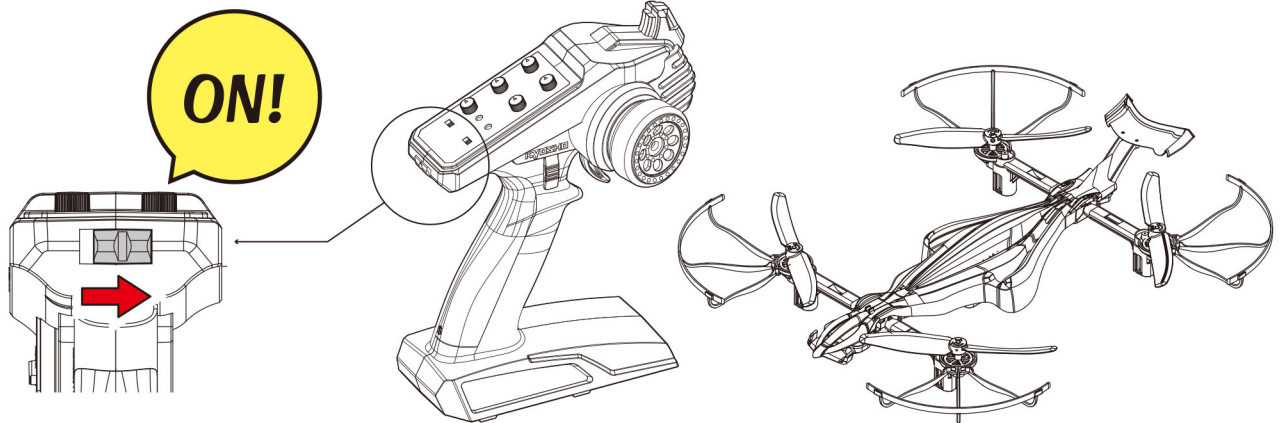
DRONE... RACER

1:18 SCALE 2.4GHz RADIO CONTROLLED SYSTEM ELECTRIC POWERED DRONE RACER SERIES

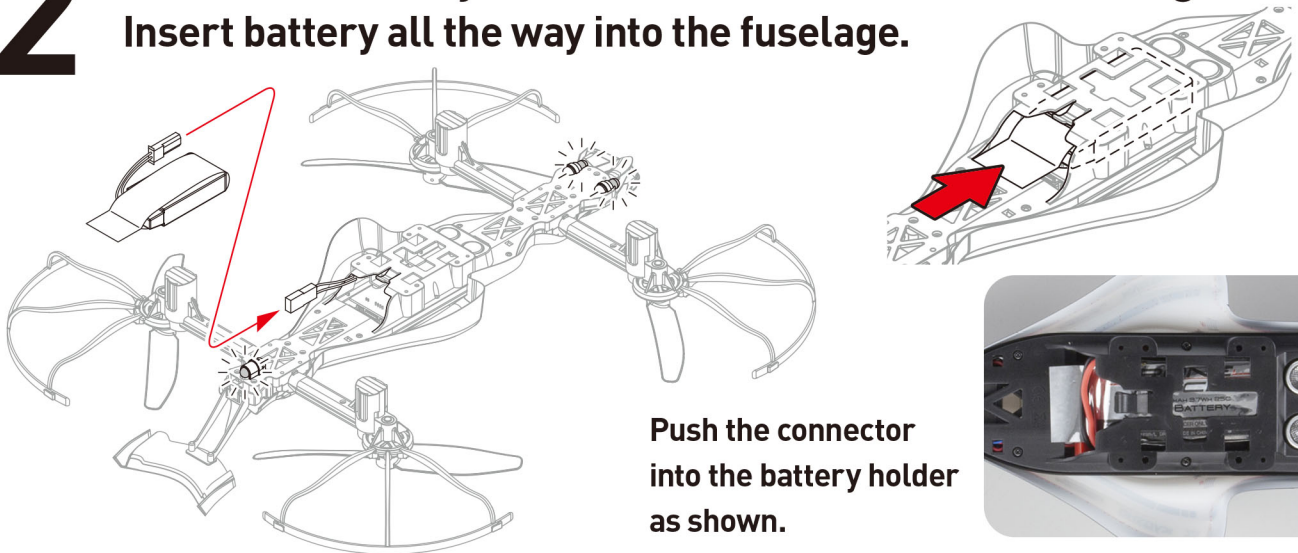


Drone Racer quick-start guide

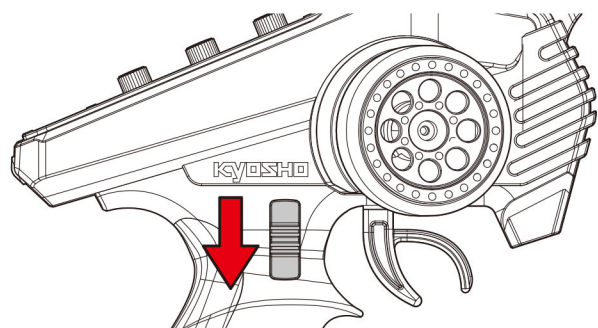
1 Turn on the power of the transmitter.



2 Connect battery to the connector on the fuselage.
Insert battery all the way into the fuselage.



3 Be sure that the height adjustment switch on the transmitter is on the bottom (The switch has 3 positions: bottom, middle and top).

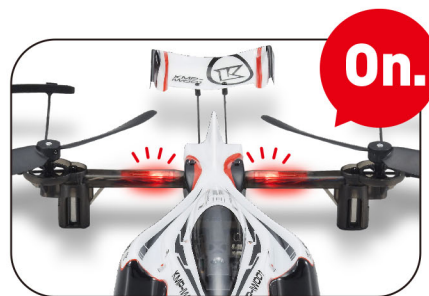
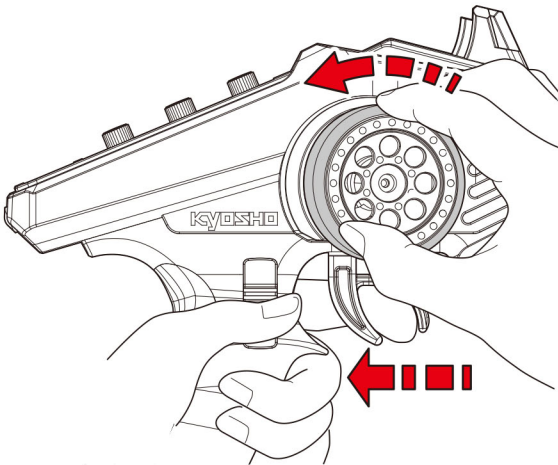


4 Place the Drone Racer on a flat surface and check that the LEDs on the rear arms display solid green.

Green LEDs mean the default Safety mode is active and the Drone Racer cannot be flown. It's a safety feature that prevents accidental takeoff.

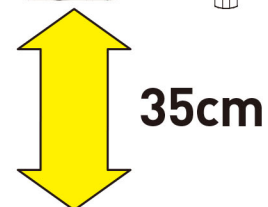
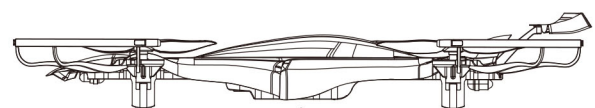
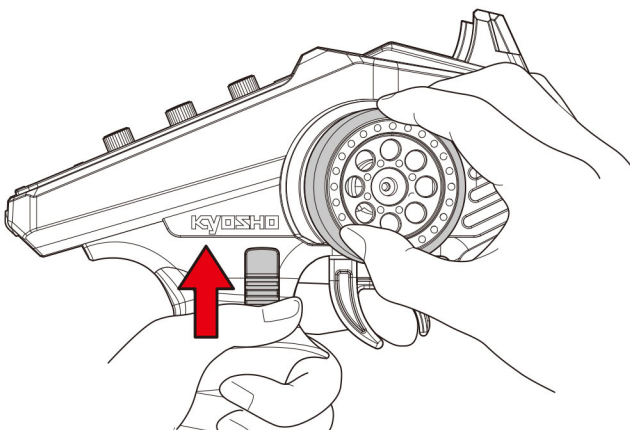


5 To change to the flight mode, turn the steering wheel fully to the left and simultaneously apply full forward throttle by pulling the trigger towards you. The LEDs on the rear arms change to red, indicating the Drone Racer is ready for flight as soon as you return the steering wheel and the throttle to neutral.

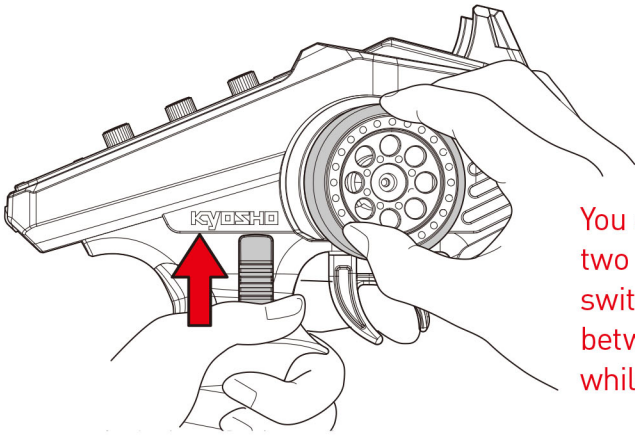


Red LEDs mean the Drone Racer is ready for flight. After 5 seconds without any activity, however, the safety function will automatically re-activate and you'll need to activate the flight mode again.

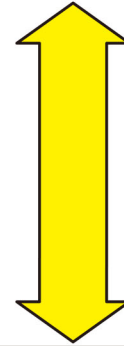
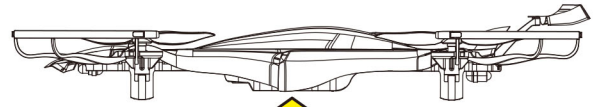
6 Move the altitude switch up one position from the ground-level setting, and the Drone Racer will take off.



7 Move the altitude switch to the highest position and the Drone Racer increases its flight level to 60cm (@24 inches) automatically.

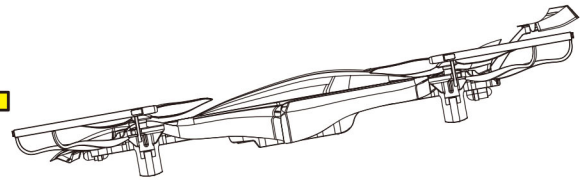
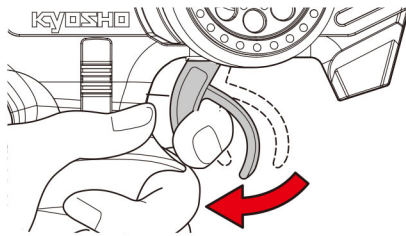


You can select either of the two elevation levels, and switch back and forth between the two settings, while you are flying.

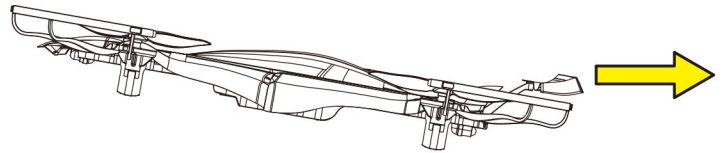
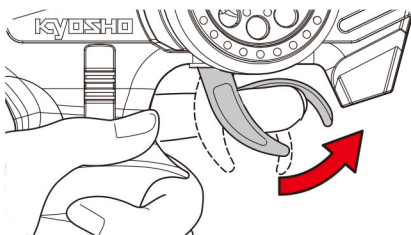


60cm

8 Pull the throttle trigger towards you and the model moves forward.

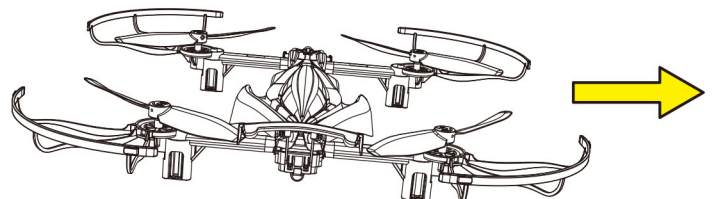
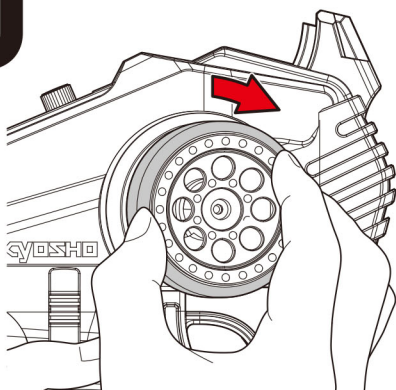


9 Push the throttle trigger away from you for “brakes” and to fly in reverse.



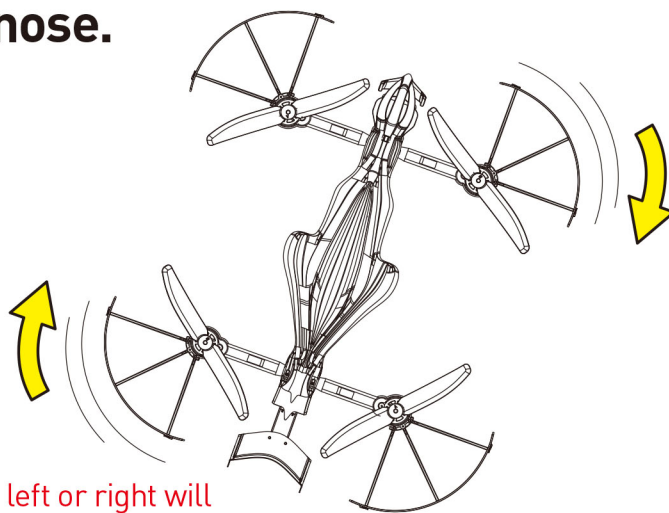
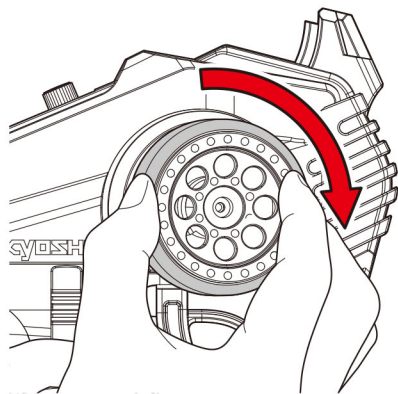
It will function as the brakes when the model is moving forward, and functions as reverse when the model is stationary

10 Turn the wheel for left/right movement.



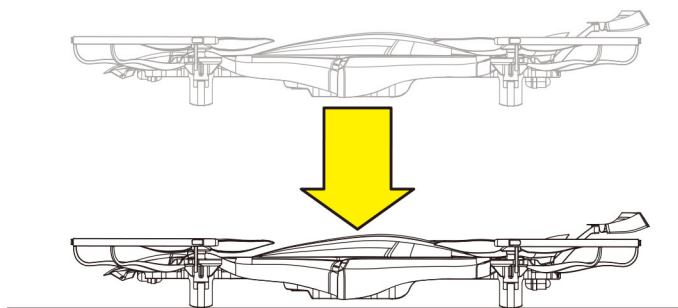
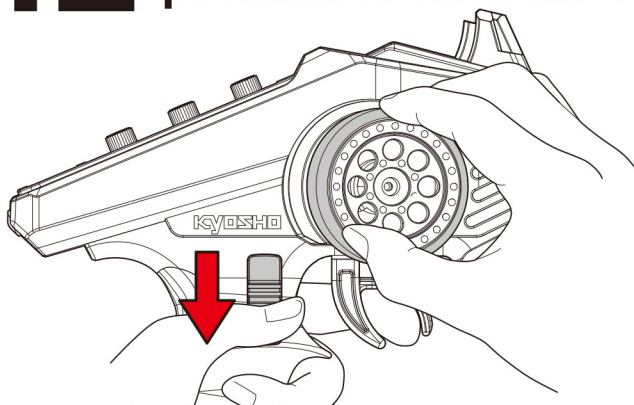
Turn the steering wheel gently to the left or right for lateral movement without necessarily turning the Drone Racer.

11 Make a large turns of the steering wheel to turn the fuselage nose.



Making large turns of the steering wheel to the left or right will result in more aggressive rotation of the Drone Racer.

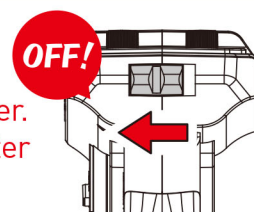
12 Move the altitude adjustment switch to its lowest position to land the Drone Racer.



When LED on the rear arms begin flashing, it indicates that the battery is low.



In an emergency situation, turn off the power of the transmitter. The model will land after a few seconds.



Tips for control

- Imagine that you're in the pilot's seat when flying.
- Make large turn of the steering wheel to rotate the fuselage.
- If the model moves outwards when turning, pull the throttle trigger a little while the model is turning.