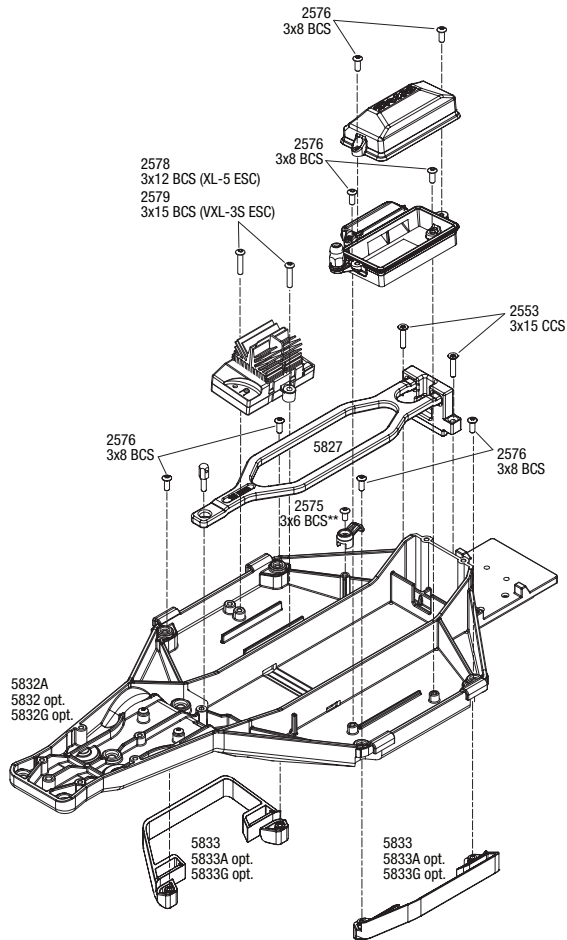




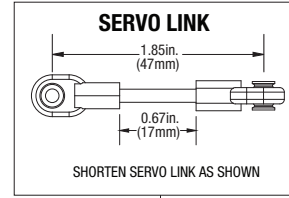
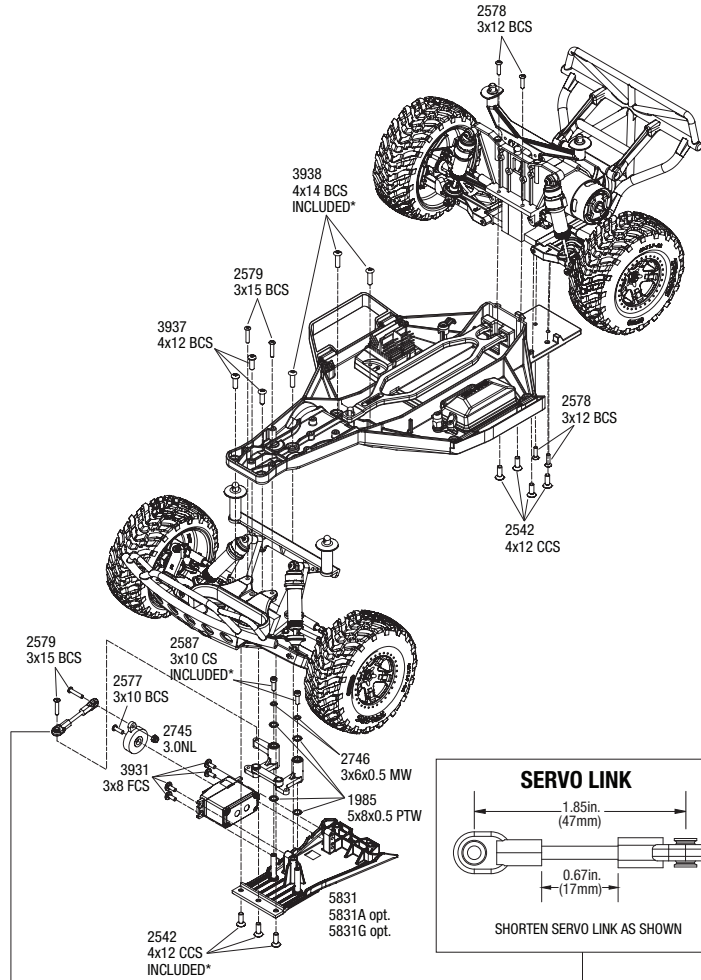
## Low-CG Chassis Conversion Instructions

Covers Part #5830

### CHASSIS COMPONENT INSTALLATION



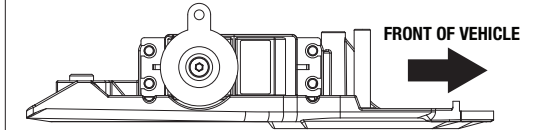
### VEHICLE ASSEMBLY



### SERVO MOUNTING POSITIONS

#### HIGHER POSITION

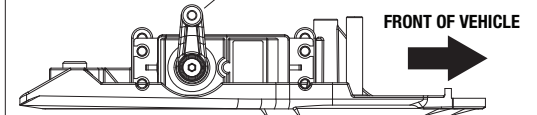
FOR VEHICLES WITH SERVO-MOUNTED SERVO SAVERS



#### LOWER POSITION

FOR VEHICLES WITH BELLCRANK-MOUNTED SERVO SAVERS

SERVO ARM USED WHEN MOUNTING IN LOWER POSITION



#### Reversing the direction of the steering servo (TQi transmitter):

1. Press and hold MENU. Green LED blinks.
2. Press MENU. Green LED blinks 2 times.
3. Press SET. Green LED blinks.
4. Press SET. Red LED blinks.
5. Press SET to reverse servo direction. Green LED blinks 8 times.
6. Press and hold MENU.



#### Reversing the direction of the steering servo (TQ 2.4GHz transmitter):

1. Press and hold SET. Green LED blinks.
2. Turn steering wheel to full left or full right.
3. Hold steering wheel in position.
4. Press SET to reverse servo direction.



\*Use existing fasteners except where indicated as INCLUDED

\*\*VXL equipped models only