



JETSTREAM

ADVENTURE BOATS



Scan the QR code and select the Manuals and Support quick links from the product page for the most up-to-date manual information.

Scannen Sie den QR-Code und wählen Sie auf der Produktseite die Quicklinks Handbücher und Unterstützung, um die aktuellsten Informationen zu Handbücher.

Scannez le code QR et sélectionnez les liens rapides Manuals and Support sur la page du produit pour obtenir les informations les plus récentes sur le manuel.

Scannerizzare il codice QR e selezionare i Link veloci Manuali e Supporto dalla pagina del prodotto per le informazioni manuali più aggiornate.



PRB08051

Owners Manual • Bedienungsanleitung
Manuel de l'utilisateur • Manuale dell'utente

471913
Created: 06/2023

HORIZON
H O B B Y

NOTICE

All instructions, warranties and other collateral documents are subject to change at the sole discretion of Horizon Hobby, LLC. For up-to-date product literature, visit www.horizonhobby.com or www.towerhobbies.com and click on the support or resources tab for this product.

MEANING OF SPECIAL LANGUAGE

The following terms are used throughout the product literature to indicate various levels of potential harm when operating this product:

WARNING: Procedures, which if not properly followed, create the probability of property damage, collateral damage, and serious injury OR create a high probability of superficial injury.

CAUTION: Procedures, which if not properly followed, create the probability of physical property damage AND a possibility of serious injury.

NOTICE: Procedures, which if not properly followed, create a possibility of physical property damage AND little or no possibility of injury.



WARNING: Read the ENTIRE instruction manual to become familiar with the features of the product before operating. Failure to operate the product correctly can result in damage to the product, personal property and cause serious injury.

This is a sophisticated hobby product and NOT a toy. It must be operated with caution and common sense and requires some basic mechanical ability. Failure to operate this Product in a safe and responsible manner could result in injury or damage to the product or other property. This product is not intended for use by children without direct adult supervision. Do not use with incompatible components or alter this product in any way outside of the instructions provided by Horizon Hobby, LLC. This manual contains instructions for safety, operation and maintenance. It is essential to read and follow all the instructions and warnings in the manual, prior to assembly, setup or use, in order to operate correctly and avoid damage or serious injury.

Age Recommendation: Not for children under 14 years. This is not a toy.

Safety Precautions and Warnings

As the user of this product, you are solely responsible for operating in a manner that does not endanger yourself and others or result in damage to the product or the property of others.

- When handling and/or transporting your boat, always pick up the boat from the front, keeping all moving parts pointed away from you.
- Always keep a safe distance in all directions around your model to avoid collisions or injury. This model is controlled by a radio signal subject to interference from many sources outside your control. Interference can cause momentary loss of control.
- Always operate your model in open spaces away from full-size vehicles, traffic and people.
- Always carefully follow the directions and warnings for this and any optional support equipment (chargers, rechargeable battery packs, etc.).
- Always keep all chemicals, small parts and anything electrical out of the reach of children.
- Always avoid water exposure to all equipment not specifically designed and protected for this purpose. Moisture causes damage to unprotected electronics.
- Never place any portion of the model in your mouth as it could cause serious injury or even death.
- Never operate your model with low transmitter batteries.

Water-Resistant Boat with Waterproof Electronics

Your new Horizon Hobby boat has been designed and built with a combination of waterproof and water-resistant components to allow you to operate the product in calm, fresh water conditions.

While the entire boat is highly water-resistant, it is not completely waterproof and your boat should NOT be treated like a submarine. The various electronic components used in the boat, such as the ESC, servo(s) and receiver are waterproof, however, most of the mechanical components are water-resistant and require additional maintenance after use.

Metal parts, including the bearings, pins, screws and nuts, propeller,

rudder, rudder mounts, prop struts, as well as the contacts in the electrical cables, will be susceptible to corrosion if additional maintenance is not performed after running in wet conditions. To maximize the long-term performance of your boat and to keep the warranty intact, the procedures described in the **WET CONDITIONS MAINTENANCE** section must be performed regularly.




CAUTION: Failure to exercise caution while using this product and complying with the following precautions could result in product malfunction and/or void the warranty.

General Precautions

- Read the **Wet Conditions Maintenance** procedures and make sure that you have all the tools you will need to properly maintain your boat.
- Not all batteries can be used in wet conditions. Consult the battery manufacturer before use. Caution should be taken when using Li-Po batteries in wet conditions.
- Most transmitters are not water-resistant. Consult your transmitter's manual or the manufacturer before operation.
- Never operate your transmitter or boat when lightning is present.
- Salt water is very conductive and highly corrosive. If you choose to run your boat in salt water, immediately rinse the boat in fresh water after each use. Operating your boat in salt water is at the sole discretion of the modeler.+


Charging Warnings

 **WARNING:** Failure to exercise caution while using this product and comply with the following warnings could result in product malfunction, electrical issues, excessive heat, FIRE, and ultimately injury and property damage.

- **NEVER LEAVE CHARGING BATTERIES UNATTENDED.**
- **NEVER CHARGE BATTERIES OVERNIGHT.**
- Never attempt to charge dead, damaged or wet battery packs.
- Never attempt to charge a battery pack containing different types of batteries.
- Never allow children under 14 years of age to charge battery packs.
- Never charge batteries in extremely hot or cold places or place in direct sunlight.
- Never charge a battery if the cable has been pinched or shorted.
- Never connect the charger if the power cable has been pinched or shorted.
- Never attempt to dismantle the charger or use a damaged charger.
- Always use only rechargeable batteries designed for use with this type of charger.
- Always inspect the battery before charging.
- Always keep the battery away from any material that could be affected by heat.
- Always monitor the charging area and have a fire extinguisher available at all times.

Wet Conditions Maintenance

- Drain any water that has collected in the hull by removing the drain plug or canopy and tilting the boat in the appropriate direction to drain the water.


 **CAUTION:** Always keep hands, fingers, tools and any loose or hanging objects away from rotating parts.


- Remove the battery pack(s) and dry the contacts. If you have an air compressor or a can of compressed air, blow out any water that may be inside the recessed connector housings.
- Remove all moving parts. Dry and lubricate parts after every 30 minutes of operation or if the boat becomes submerged.

NOTICE: Never use a pressure washer to clean your boat.

- Use an air compressor or a can of compressed air to dry the boat and help remove any water that may have gotten into small crevices or corners.
- Spray the bearings, fasteners and other metal parts with a water-displacing light oil or lubricant.
- Let the boat air dry before you store it. Water (and oil) may continue to drip for a few hours.

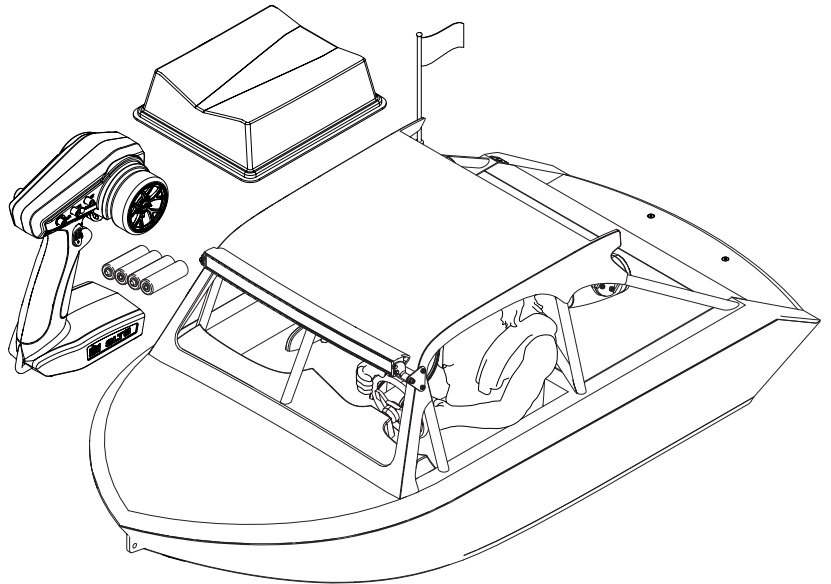
- Always end the charging process if the battery becomes hot to the touch or starts to change form (swell) during the charge process.
- Always connect the positive leads (+) and negative leads (–) correctly.
- Always disconnect the battery after charging, and let the charger cool between charges.
- Always charge in a well-ventilated area.
- Always terminate all processes and contact Horizon Hobby if the product malfunctions.
- Charge only rechargeable batteries. Charging non-rechargeable batteries may cause the batteries to burst, resulting in injury to persons and/or damage to property.
- The USB outlet shall be installed near the equipment and shall be easily accessible.

 **CAUTION:** Always ensure the battery you are charging meets the specifications of this charger. Not doing so can result in excessive heat and other related product malfunctions, which can lead to user injury or property damage.

 **CAUTION:** If at any time during the charging process the battery pack becomes hot or begins to puff, disconnect the battery immediately and discontinue the charge process as batteries can cause fire, collateral damage and injuries.

Box Contents

- Pro Boat® 1/6th Scale Jetstream Jet Boat, RTR (PRB08051)
- Spektrum™ SLT3 Multi-Programmed Standard Transmitter (SPMRSLT320)
- 4 AA Alkaline Transmitter Batteries
- Spektrum™ Firma 4068 1600Kv 4-Pole Brushless Marine Motor (SPMXMM1400)
- Spektrum™ 100A Marine ESC (SPMXME1A)
- Spektrum™ SLT 3-CH Single Protocol Receiver (SPMSLR300)
- Spektrum™ 3KG Waterproof Plastic Gear Servo (2), 23T (SPMS603)



Specifications

Length	24 in. (609mm)
Beam	12 in. (305mm)
Hull Height	8.9 in. (225mm)
Hull Material	ABS/Nylon

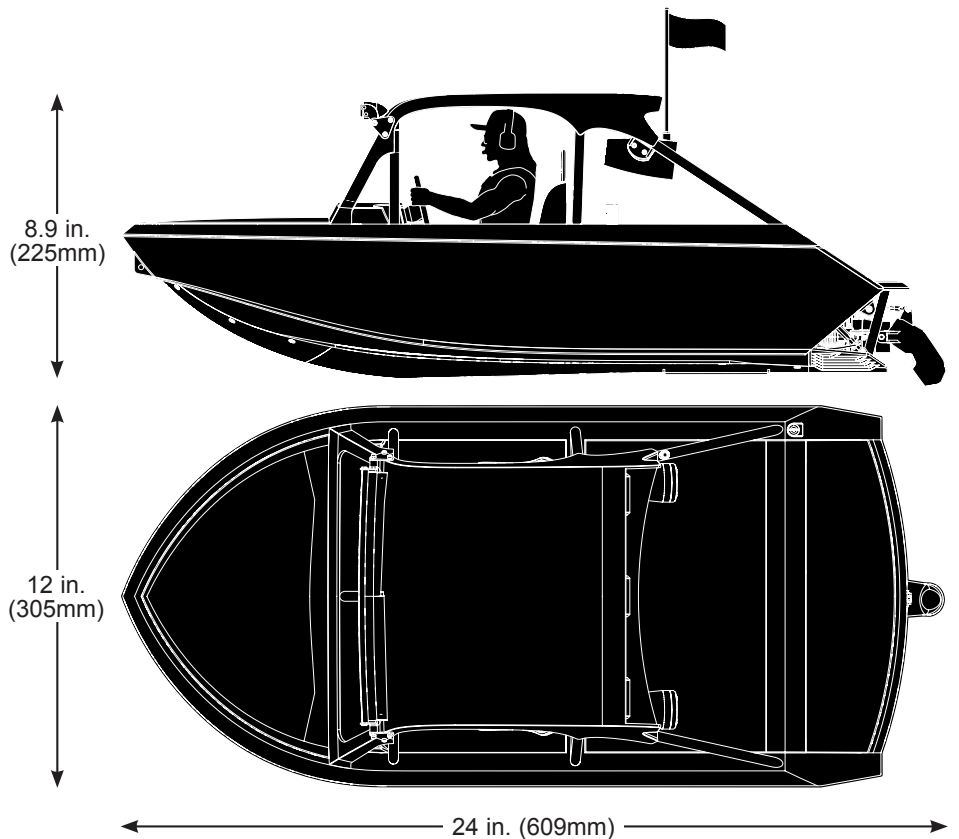


Table of Contents

Safety Precautions and Warnings.....	2	When You Are Finished	8
Water-Resistant Boat with Waterproof Electronics	2	Binding.....	8
General Precautions.....	3	Installing the Optional ESC	8
Wet Conditions Maintenance	3	Maintenance	9
Charging Warnings.....	3	Replacement Parts.....	12
Box Contents.....	4	Optional Parts.....	12
Specifications	4	Recommended Parts.....	12
Installing the Transmitter Batteries.....	5	Recommended Upgrade Options.....	12
Transmitter Functions.....	5	Troubleshooting Guide	13
Installing the Battery.....	6	2-Year Limited Warranty	14
Range Check.....	6	Warranty and Service Contact Information	15
Powering On the Boat.....	6	FCC Information	15
Low Voltage Cutoff (LVC)	7	IC Information.....	13
Controlling the LED Lights	7	Compliance Information for the European Union	13
Boating Tips	7	Exploded View.....	58-62

Installing the Transmitter Batteries

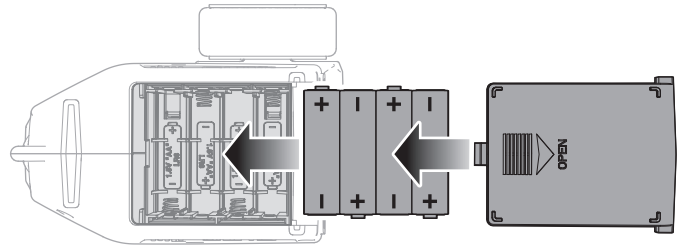
This transmitter requires 4 AA batteries (included).

1. Remove the battery cover from the transmitter.
2. Install the batteries as shown.
3. Install the battery cover.

CAUTION: NEVER remove the transmitter batteries while the model is powered on. Loss of model control, damage, or injury may occur.

CAUTION: If using rechargeable batteries, charge only rechargeable batteries. Charging non-rechargeable batteries may cause the batteries to burst, resulting in injury to persons and/or damage to property.

CAUTION: Risk of explosion if battery is replaced by an incorrect type. Dispose of used batteries according to national regulations.



Transmitter Functions

SPECIFICATIONS

Power Supply: 4 AA Batteries

Operating Frequency: 2.4GHz

Transmit Power: <100mw

Control Protocol: SLT

Control: Proportional Steering and Throttle/Brake with Trim Knobs, Pro Boat Programming with Latching 3rd Channel

Auxiliary Functions: 3 Position Throttle Limit Switch, Steering Rate Knob to Change Steering Travel On-the-Fly, Programmable Servo Travel for Steering and Throttle/Brake

A. Throttle Trim

Adjusts the throttle neutral point

B. Steering Trim

Adjusts the steering center point. Normally, the steering trim is adjusted until the vehicle tracks straight.

C. LED

- Solid red lights: Indicates the power is ON and adequate battery power
- Flashing red lights: Indicates the battery voltage is critically low. Replace batteries

D. Steering Wheel

E. Throttle/Brake

F. Steering Rate

On-The-Fly knob for travel adjustment on the steering

G. Channel 3

Reverse Gate Control: Press the B button once, and the reverse gate will lower. Press the B button again, and the reverse gate will raise.

Back Flush Jet Pump: Press and hold the A button to eject any debris caught in the impeller or intake grate. Release the A button to resume normal operation.

H. Throttle Limit

Limits throttle output to 50/75/100%

Select 50% or 75% for less experienced drivers or when you are driving the vehicle in a small area.

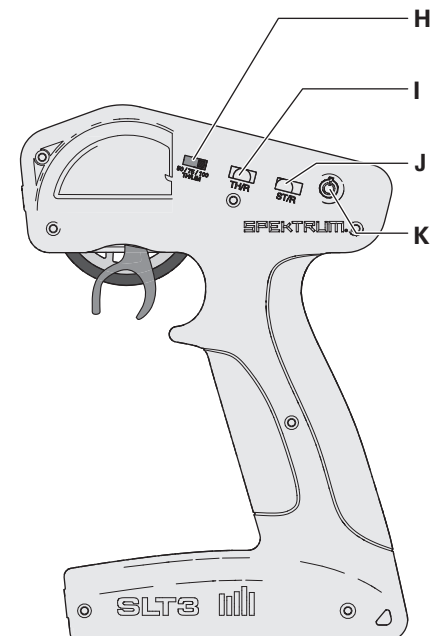
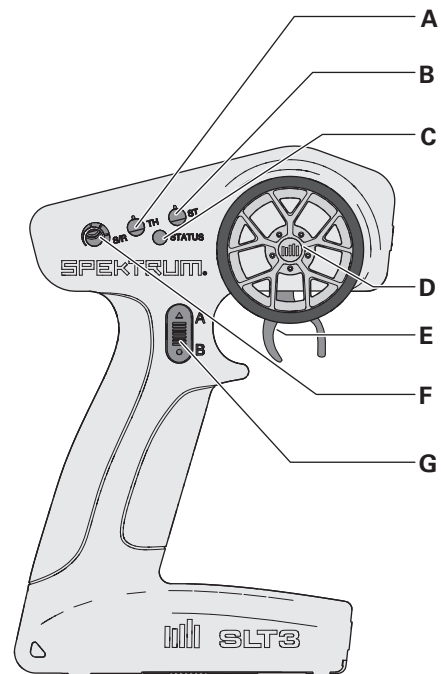
I. Throttle (TH) Servo Reversing

Move the switch to reverse the throttle channel

J. Steering (ST) Servo Reversing

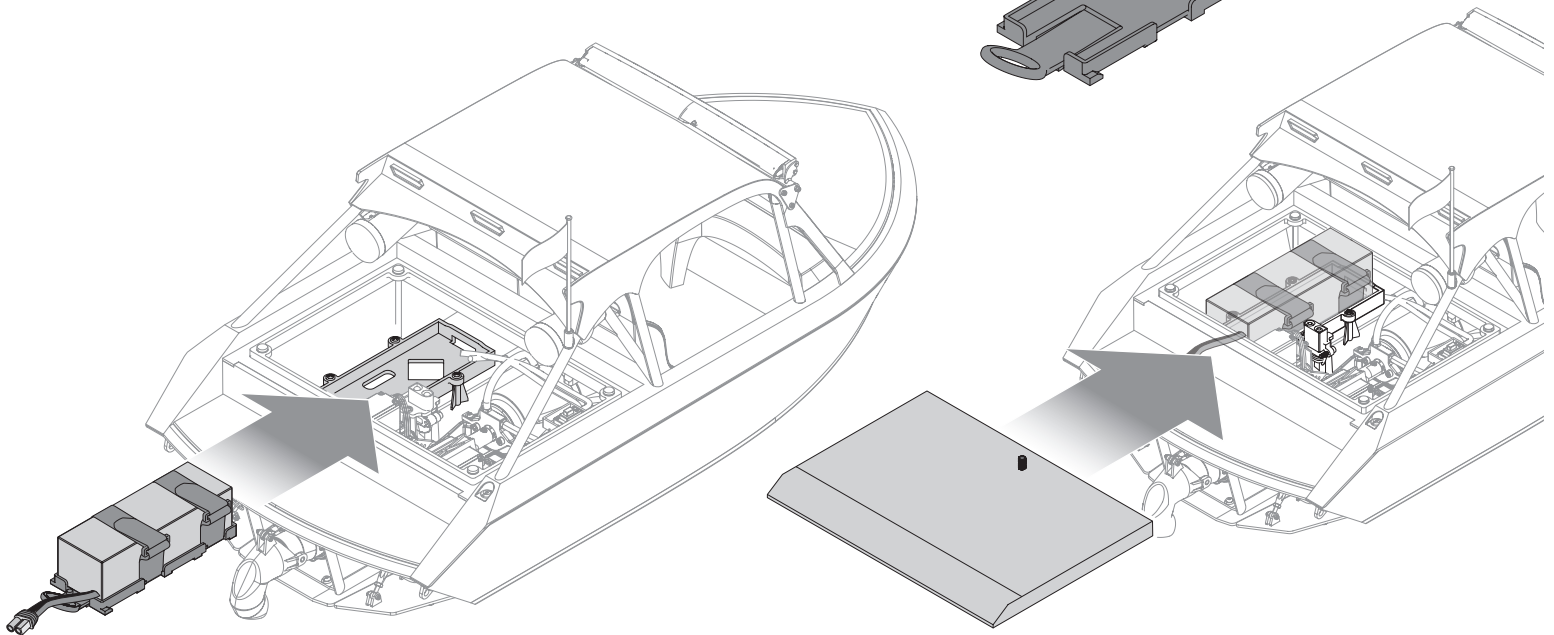
Move the switch to reverse the steering channel

K. Power Button



Installing the Battery

1. Set the boat on the included display stand.
2. Lift up on the front of the battery cover hatch using the simulated ski pole
3. Slide the battery cover hatch toward the rear of the boat to open it.
4. Remove the SSL tray from the battery base.
5. Install the recommended, fully charged battery into the SSL tray and secure it using the included two hook and loop straps.
6. Place the SSL tray into the battery base, and slide it forward to lock the battery and SSL tray into place.



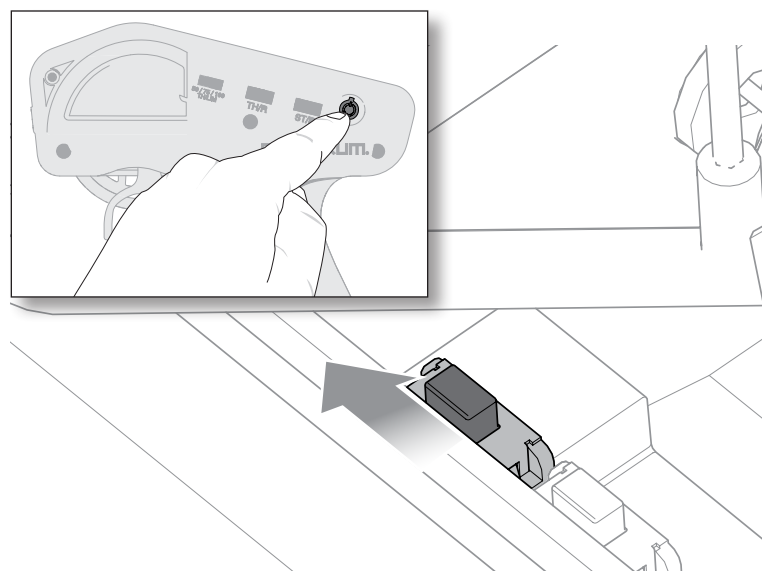
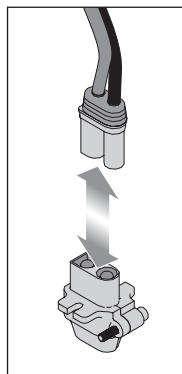
Range Check

IMPORTANT: Perform a range check at the beginning of each boating session, after repair or after installation of a new battery. Ensure that the battery is fully charged.

1. With the radio system powered on and connected, walk away from your boat 90 feet (32 m).
2. Have an assistant remain with the boat to check for proper control movement of the steering mechanism in response to your transmitter input.
3. If everything appears to be operating correctly, prepare to operate the boat in the water.

Powering On the Boat

1. Power ON the transmitter.
2. Connect the battery lead to the IC5 connector in the boat.
3. Power ON the receiver by sliding the receiver switch to ON.
4. Reinstall the hatch.
5. With the boat still on the display stand, test the transmitter control of the boat and complete a range check of the controls.



Low Voltage Cutoff (LVC)

The factory default setting for the LVC in the ESC included with your boat is set at 3.2V per cell. Discharging a Li-Po battery below 3V per cell may damage your battery. The included ESC protects the boat battery from over-discharge using Low Voltage Cutoff (LVC). Before the battery charge decreases too much, LVC removes power supplied to the motor.

The boat drastically slows or stops completely once LVC is activated. Releasing the throttle and reapplying it will provide a limited amount of power to safely return the boat to shore. Repeated use after LVC is activated will damage the batteries.

Once LVC has been activated, the ESC status light will flash red continuously indicating that the ESC is in LVC mode.

NOTICE: Repeated operation to LVC will damage the battery.

LVC can activate prematurely if you use (1) a low C-rated battery or (2) an old, worn, and/or weak battery.

The average run time using the recommended battery (SPMX54S100H5) is approximately 5–7 minutes, depending on throttle usage. Limited run time may indicate worn or weak batteries.

TIP: If you've installed a freshly charged battery and LVC activates within the first minute of operation, replace your worn or weak batteries with the recommended batteries.

TIP: Monitor your boat battery's voltage before and after boating by using a Li-Po Cell Voltage Checker (SPMXBC100, sold separately). Disconnect and remove the Li-Po battery from the boat after use to prevent trickle discharge. Charge your Li-Po battery to half capacity before storage. During storage, make sure the battery charge does not fall below 3V per cell. LVC does not prevent the battery from over-discharge during storage.

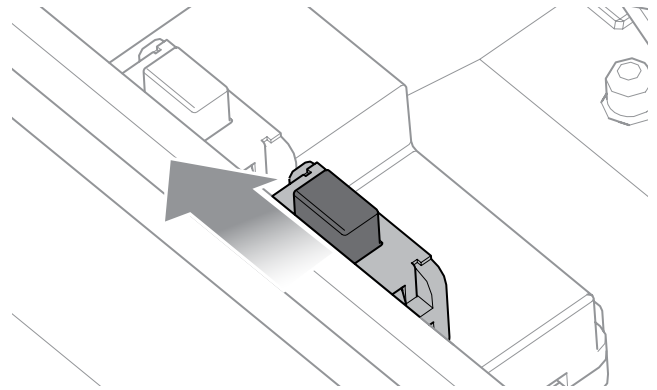
Controlling the LED Lights

Use the switch located inside the hull to power ON/OFF the LED lights on the boat.

Custom Radio Controlled On/Off LEDs

Using a custom transmitter and a 4-CH receiver, plug the LED lights into CH4 of the transmitter. Use CH4 to power ON/OFF the LED lights from the transmitter.

1. Remove the shrink tubing from the yellow signal wire to expose the pin.
2. Slide the pin into the servo connector.
3. Plug into the 4th channel.
4. Leave the switch in the ON position. The lights are now controlled by the custom transmitter.



Boating Tips

Consult local laws and ordinances before choosing a location to pilot your boat.

During the first run, we recommend calm wind and water conditions to ensure that the boat is properly set up. Top speed will be determined by the battery's ability to efficiently deliver power to the motor via the ESC.

1. Carefully place the boat in the water.
2. Operate the boat at slow speeds near the shoreline. Avoid objects in the water at all times. When the boat is moving forward, ensure water flows out of the coolant outlet.
3. Once you are comfortable operating the boat at slow speeds, it is safe to operate the boat farther from the shore at higher speeds.
4. Bring the boat back to shore when the motor starts to pulse.

CAUTION: Never attempt to retrieve a downed boat by swimming. If you need to retrieve your boat from the water, use fishing equipment or another boat.

NOTICE: Never operate your boat in less than 12 inches (30.5 cm) of water.

NOTICE: When running at full speed in choppy water, the propeller may exit and re-enter the water repeatedly and very quickly, subjecting the propeller and drive shaft to some stress. Frequent stress may damage the propeller and drive shaft.

In rough water and windy conditions, consider mounting the batteries further forward for added stability

Avoid boating near:

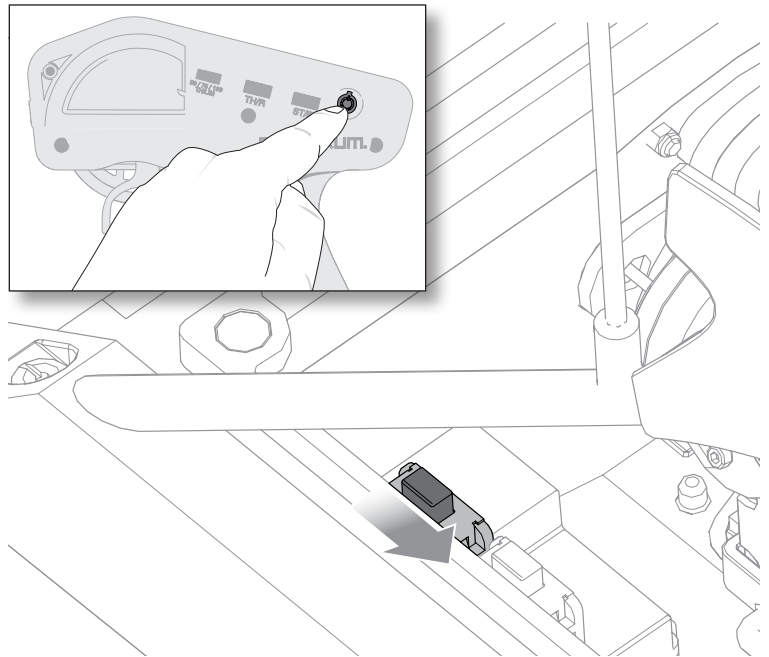
- watercraft
- people (swimming areas, fishing areas)
- stationary objects
- waves and wakes
- rapidly moving water
- wildlife
- floating debris
- overhanging trees
- vegetation

When You Are Finished

NOTICE: When you are finished boating, never leave the boat in direct sunlight or in a hot, enclosed area such as a car. Doing so can damage the boat.

1. Power OFF the receiver.
2. Power OFF the transmitter.
3. Disconnect and remove the battery from the boat.
4. Drain any water from the inside of the hull by removing the hatch and rotating the boat upside down.
5. Remove the drain plug to remove any water left over. Remove any remaining water with a dry towel.
6. Fully dry the inside and outside of the boat. Carefully dry all battery, motor and receiver connectors by removing one at a time and reinstalling.
7. Remove the hatch before storing your boat.

TIP: Removing the hatch before storage will prevent mold and mildew from growing in the boat.
8. Repair any damage or wear to the boat.
9. Lubricate the shafts using light weight oil to prevent premature wear. Make sure to place a few drops on the shaft just before the stuffing tubes.



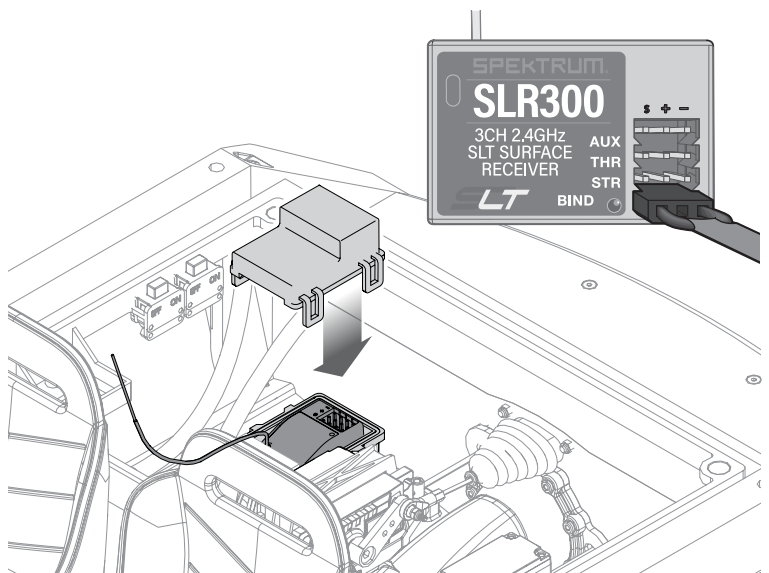
Binding

Binding is the process of electronically linking the transmitter to the receiver. The included transmitter and receiver are bound at the factory. If rebinding is necessary, follow these steps:

NOTICE: Always keep all body parts, loose clothing and other items away from the propellers.

IMPORTANT: If using an external receiver, follow the binding instructions included with that receiver.

1. Ensure the vessel is secure in the included stand.
2. Insert the bind plug into the bind port on the receiver.
3. Power on the boat.
4. Power on the SLT3 transmitter to bind it to the boat.
5. Remove the bind plug before operation.



Installing the Optional ESC

The Jetstream has optional 120A ESC capacity in order to provide an upgrade path to Smart Technology® while using either a Spektrum SR315 or Spektrum SR 515 receiver. Both the stock 100A ESC as well as an optional 120A ESC can be mounted in the hull.

1. Remove the stock ESC.
2. Unfold the optional ESC mounting peg.
3. Install the optional 120A ESC (SPMXE1120) using the two stainless steel screws from the stock ESC.

4. Install the optional 120A ESC (SPMXE1120) power switch on the open switch mount on the boat's starboard side.

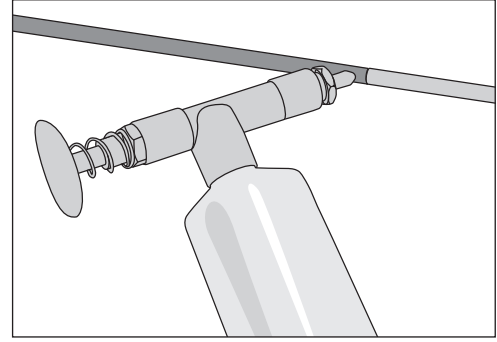
NOTE: Modification to the ESC is required to work with the IC5 holder and single battery connector. Soldering and electrical knowledge is required.

Maintenance

Drivetrain Lubrication

Always replace the drivetrain parts when they are damaged or show visible wear or injury and damage may result.

Lubricating the driveshaft is vital to the life of the drivetrain. The lubricant also acts as a water seal, keeping water from entering the hull through the stuffing tube.



Replacing the Impeller and Wear Ring

We recommend replacing the impeller and wear ring if you notice wear or vibration in the drive line.

1. Use the hatch handle to open the battery cover hatch.
2. Remove the top screws on the jet nozzle while holding the nut using a wrench or pair of hemostats.
3. Lower the reverse gate nozzle to full reverse, and remove the ball linkage screw.
4. Remove the cooling line from the jet pump nozzle.
5. Remove the remaining screws securing the jet pump nozzle.

TIP: Use a 2mm ball end to remove the screw behind the cooling inlet port.

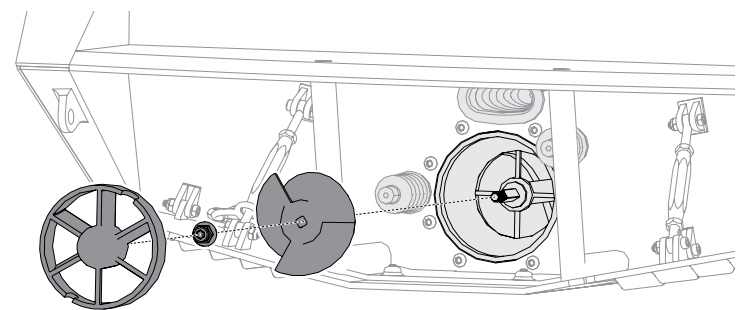
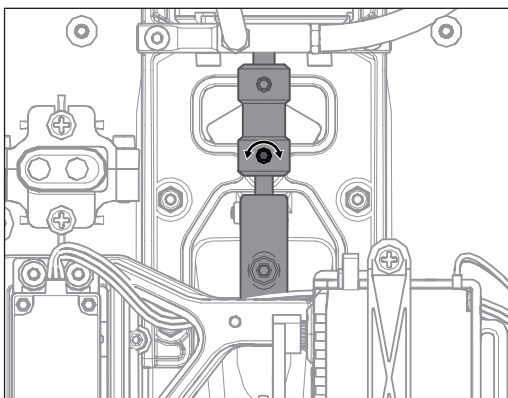
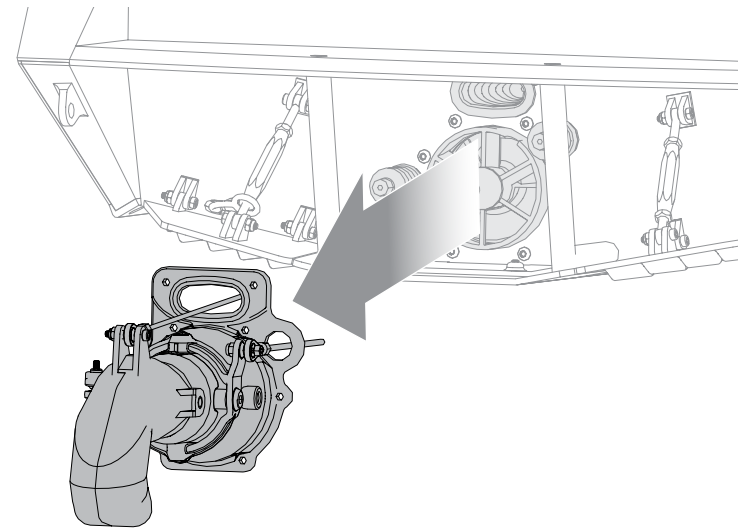
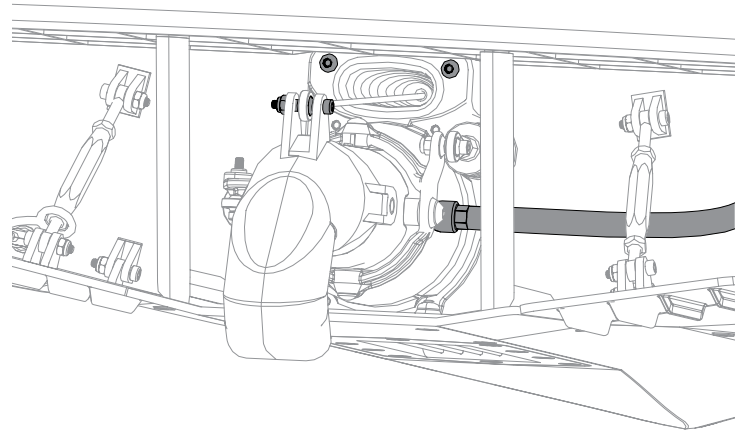
6. Loosen the rudder quick link from the servo horn, and loosen the jet nozzle trim from the quick link.
7. Remove the jet pump nozzle, reverse bucket, and linkages together as a unit.
8. Loosen the set screw on the motor coupler that leads to the impeller.
9. Using a pair of needle nose pliers or hemostats, pull the impeller and shaft from the jet pump.
10. Replace the wear ring by pulling it out toward the back of the boat.

NOTICE: The wear ring and impeller may be sharp. Use gloves to prevent scrapes and/or cuts.

11. Apply a generous amount of marine grease to the stuffing tube and impeller shaft to lubricate them.

TIP: We recommend the Dynamite[®] grease gun (DYNE4200) and a piece of fuel tubing or cooling line to make this process easier.

12. Reassemble and reinstall the wear ring and impeller in reverse order. Pull the bellows through the jet nozzle before securing the screws to insure a water tight fit. The bellows lip should rest on the outside of the jet nozzle.



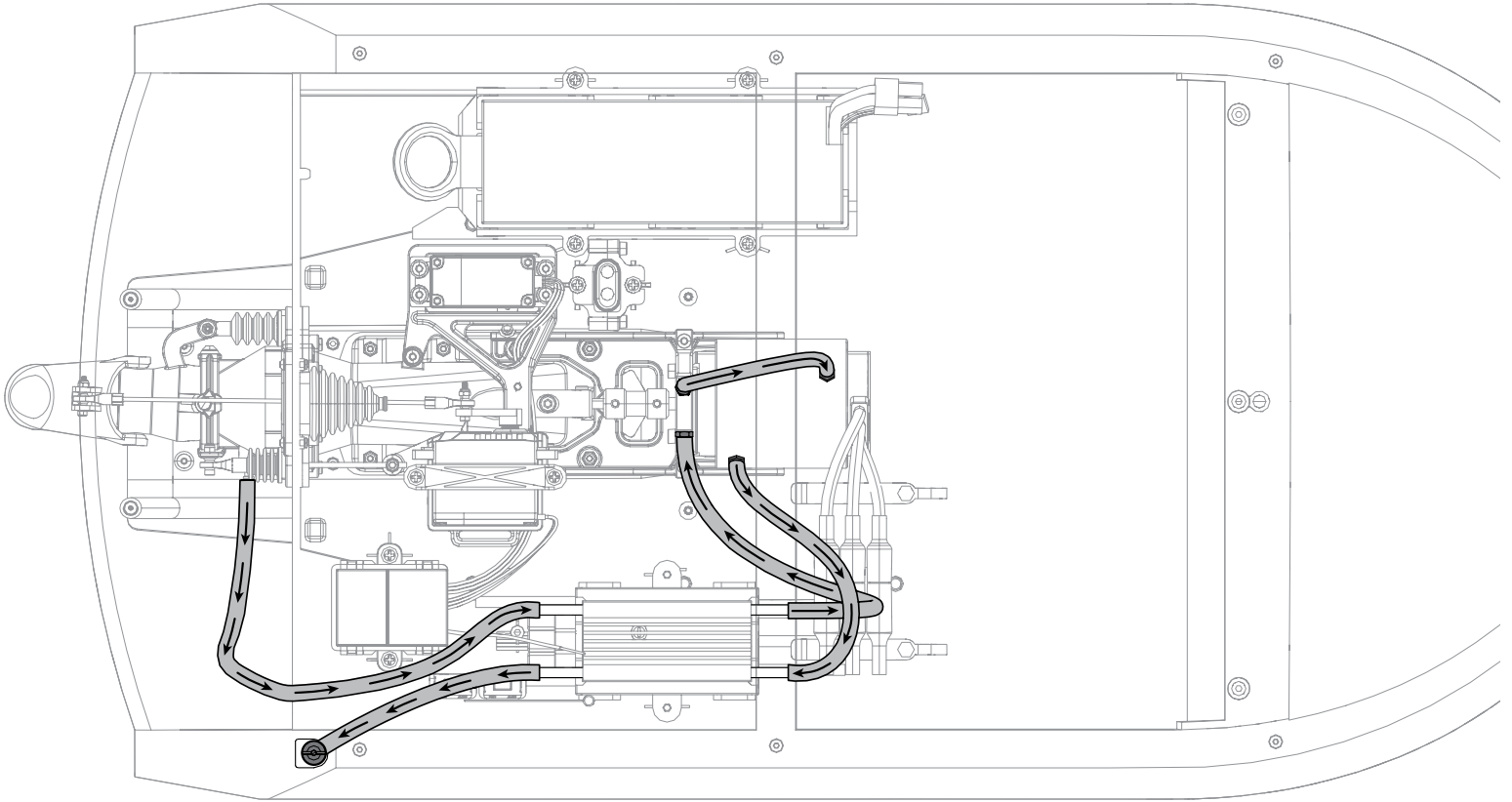
Water Cooling System

If water does not stream out of the water outlet while the boat is moving forward under power, immediately stop the boat and clear the obstruction from the water-cooling system.

1. Disassemble and clean the water cooling system to remove blockage and prevent overheating.
2. Replace any damaged parts.

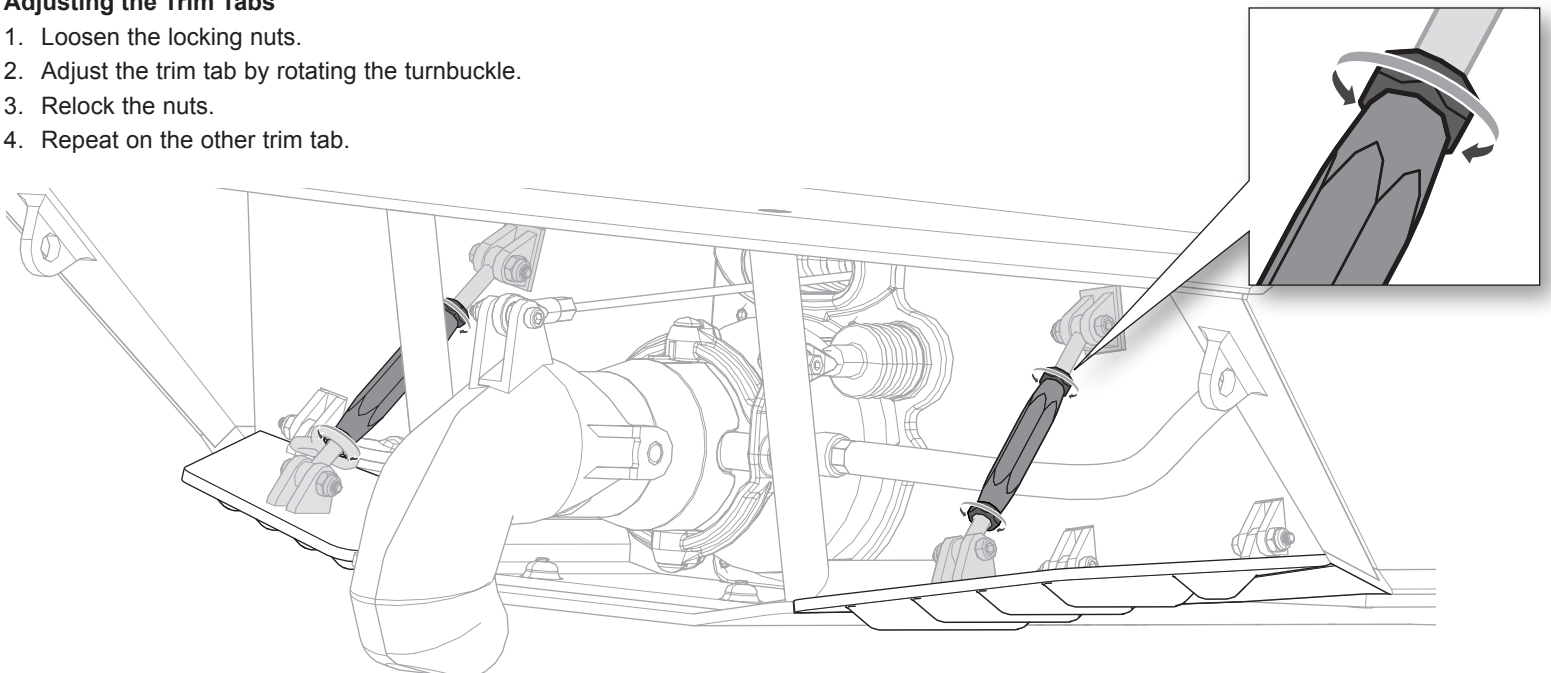
IMPORTANT: Ensure that the water cooling exit ports are securely attached. Failure to inspect them can result in excess water entering the hull.

CAUTION: Water cooling happens only when the jet pump is pushing water. Do not leave the boat stationary for long periods of time as it can cause excessive heat and cause damage to the electronics.



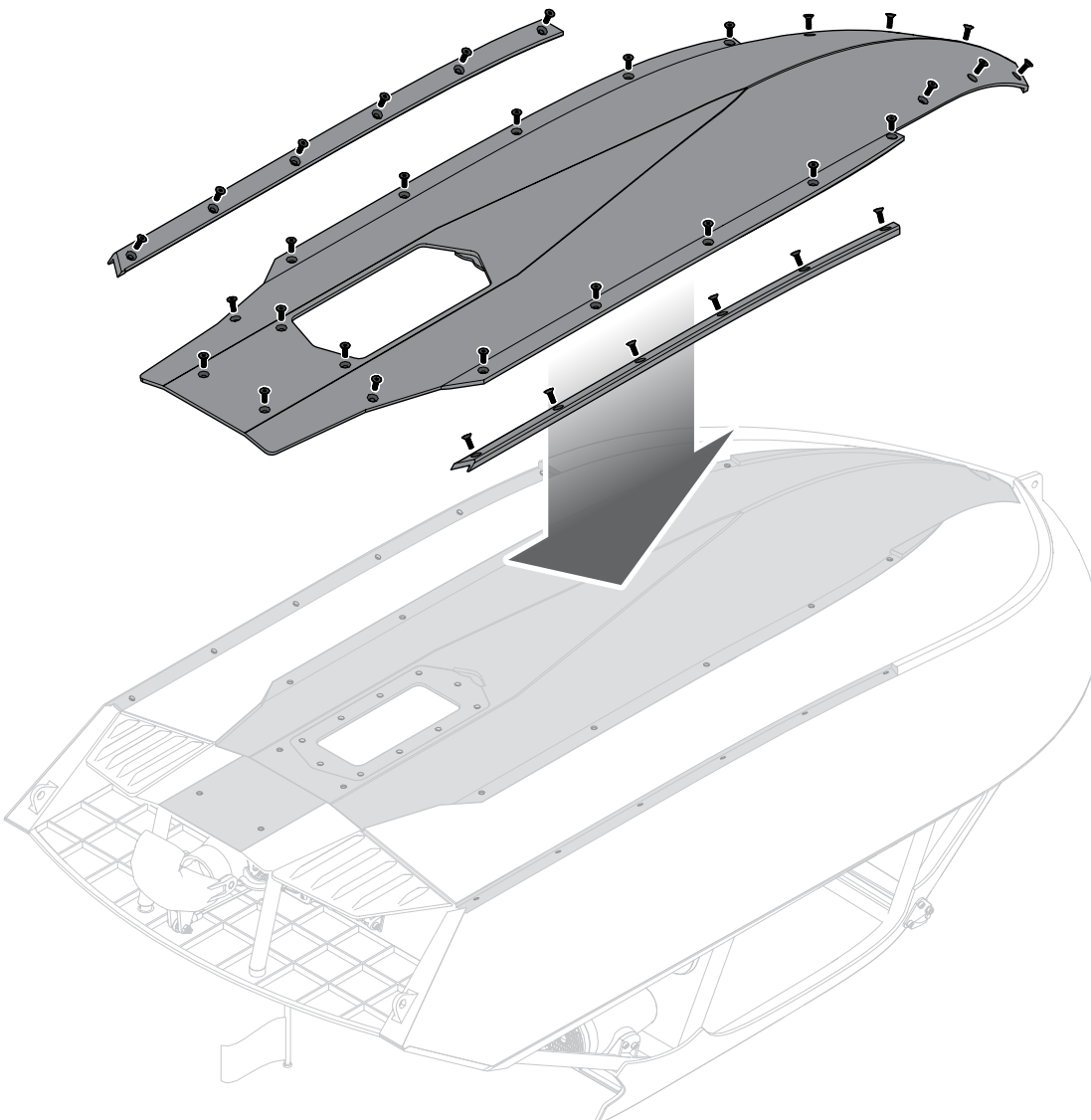
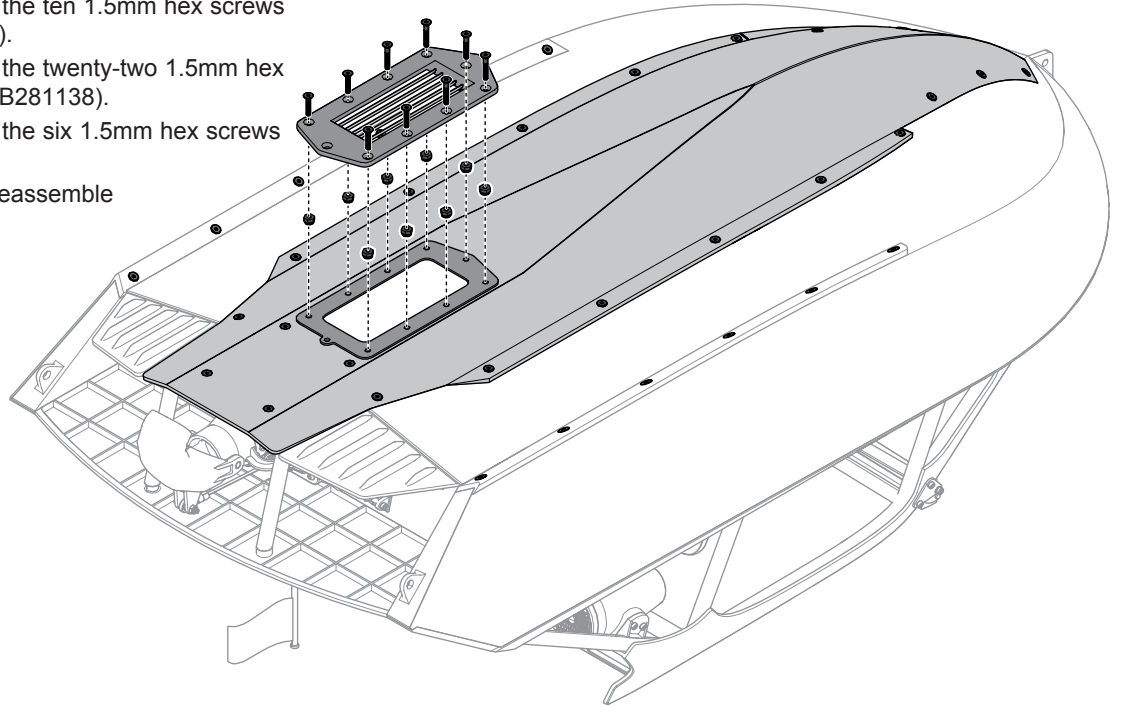
Adjusting the Trim Tabs

1. Loosen the locking nuts.
2. Adjust the trim tab by rotating the turnbuckle.
3. Relock the nuts.
4. Repeat on the other trim tab.



Replacing the Armor Plating

1. Using a 1.5mm hex driver remove the ten 1.5mm hex screws from the intake grate (PRB281145).
2. Using a 1.5mm hex driver remove the twenty-two 1.5mm hex screws from the armor plating (PRB281138).
3. Using a 1.5mm hex driver remove the six 1.5mm hex screws from the rail armor (PRB281138).
4. Replace the damaged parts, and reassemble in reverse order.



Replacement Parts

Part #	Description
PRB18040	Front LED Light Bar: Jetstream
PRB18041	Rear Race LED Set: Jetstream
PRB18043	Front LED Light Bar Assembly, Mojo: Jetstream
PRB281136	Hull & Interior: Jetstream
PRB281137	Roof & Cage: Jetstream
PRB281138	Hull Armor Set: Jetstream
PRB281139	Trim Tab Set: Jetstream
PRB281140	Battery Hatch Set: Jetstream
PRB281142	Servo & Receiver Mount: Jetstream
PRB281143	IC5 Holder Set: Jetstream
PRB281144	Roof & Cage Set, Mojo: Jetstream
PRB281145	Intake Grate: Jetstream
PRB282099	Jet Pump Housing Set: Jetstream
PRB282100	Nozzle and Reverse Set: Jetstream
PRB282101	Impeller: Jetstream
PRB282102	Drive Shaft Set: Jetstream
PRB282103	Wear Ring: Jetstream
PRB282104	Motor Mount Set: Jetstream
PRB286102	Bellow Set: Jetstream
PRB286103	Full Linkage Set: Jetstream
PRB286104	SSL Battery Base: Pro Boat
PRB286105	SSL Battery Tray Standard: Pro Boat
PRB286106	Drain Plug, Teathered: Pro Boat
PRB286107	Accessories Set: Jetstream
PRB286108	Water Cooling Lines: Jetstream
PRB289009	Swim Deck, Shreddy: Jetstream
PRB289010	Swim Deck Set, Mojo 2: Jetstream
PRB289011	Decal Set, Shreddy: Jetstream
PRB289012	Decal Set, Mojo 2: Jetstream
SPMS605	S605 Standard Analog Waterproof 9KG 23T Surface Servo
SPMSLR300	SLR300 3CH 2.4Ghz SLT Receiver
SPMSLT320	Spektrum SLT3 Multi Programmed Standard Transmitter
SPMXMM1400	Firma 4068 1600KV Marine Motor

Recommended Parts

Part #	Description
DYN5500	Magnum Force 2 Motor Spray, 13 oz
DYNE4200	Grease Gun with Marine Grease, 5oz
DYNM0102	Clear Flexible Marine Tape (18M)
DYNT0502	Start Up Tool Set: Pro Boat
SPMX54S100H5	14.8V 5000mAh 4S 100C Smart G2 Hardcase LiPo Battery: IC5
SPMXPSS400	Smart Powerstage Surface Bundle: 5000mAh 4S LiPo Battery / S155 Charger

Optional Parts

Part #	Description
ARA390292	IC5 Loop Connector, when using optional SPMXME1120 ESC
DYN1405	LiPo Charge Protection Bag, Large
DYN2819	5 pc Metric Hex Driver Assortment
DYN4403	GPS Speed Meter 2.0
DYNF1055	Infrared Temp Gun w/ Laser
DYNM3876	120A BL Marine ESC 2-6S Single Connector
DYNT2000	Machined Nut Driver Set (4 pc), US
PRB282039	Jet Impeller: River Jet Boat
PRB282041	Jet Pump Intake Grate: River Jet Boat
PRB381002	Aluminum, SS Intake: Jetstream
PRB382001	SS Impeller: Jetstream
SPM5115C	DX5C Smart 5-Channel Transmitter Combo with SR315 Receiver
SPMSR315	SR315 DSMR 3-Channel Sport Receiver
SPMSR515	SR515 DSMR 5-Channel Sport Receiver
SPMSS6170	S6170 Standard Digital Surface Servo
SPMX50004S100H5	14.8V 5000mAh 4S 100C Smart Hardcase LiPo Battery: IC5
SPMX50004S50H5	14.8V 5000mAh 4S 50C Smart Hardcase LiPo Battery: IC5
SPMX54S50H5	14.8V 5000mAh 4S 50C Smart G2 Hardcase LiPo Battery: IC5
SPMXBC100	XBC100 Smart LiPo Battery Checker & Servo Driver
SPMXC2010	S2200 G2 AC 2x200W Smart Charger
SPMXC2040	S1400 G2 AC 1x400W Smart Charger
SPMXC2050	S155 G2 1x55W AC Smart Charger
SPMXME1120	Firma 120A Brushless Smart Marine ESC, 3S-6S
SPMXPS8HC	Smart Powerstage 8S Surface Bundle: 5000mAh 4S LiPo Battery (2) / S2100 Charger

Recommended Upgrade Options

Part #	Description
PRB381002	Aluminum, SS Intake: Jetstream
PRB382001	SS Impeller: Jetstream

Troubleshooting Guide

Problem	Possible Cause	Solution
Boat will not respond to throttle but responds to other controls	Throttle channel is reversed	Reverse throttle channel on transmitter
Extra noise or extra vibration	Damaged impeller, shaft or motor	Replace damaged parts
	Impeller is out of balance	Balance or replace propeller
	Debris inside jet pump	Remove debris from jet pump
Reduced runtime or boat underpowered	Boat battery charge is low	Completely recharge battery
	Boat battery is damaged	Replace boat battery and follow battery instructions
	Blocking or friction on shaft or impeller	Disassemble, lubricate and correctly align parts
	Boat conditions may be too cold	Make sure battery is warm (above 10° C [50° F]) before use
	Battery capacity may be too low for conditions	Replace battery or use a larger capacity battery
	Impeller not properly centered with wear ring	Loosen drive shaft side of the motor coupling and move drive shaft forward or back
	Too little lubricant on drive shaft	Fully lubricate drive shaft
Boat will not Bind (during binding) to transmitter	Vegetation or other obstacles block jet nozzle, impeller, or intake grate	Remove vegetation or obstacles from jet nozzle, impeller, or intake grate
	Transmitter is too near boat during binding process	Move powered transmitter a few feet from boat, disconnect and reconnect battery to boat
	Boat or transmitter is too close to large metal object, wireless source or another transmitter	Move the boat and transmitter to another location and attempt binding again
	Another compatible transmitter is powered on within range of receiver	Power off all compatible transmitters except the one you are trying to bind
	Boat battery/transmitter battery charge is too low	Replace/recharge batteries
ESC switch is off	Power on ESC switch	
Boat will not connect (after binding) to transmitter	Transmitter is too near boat during connecting process	Move powered transmitter a few feet from boat, disconnect and reconnect battery to boat
	Boat or transmitter is too close to large metal object, wireless source or another transmitter	Move boat or transmitter to another location and attempt to connect again
	Boat battery/transmitter battery charge is too low	Replace/recharge batteries
	ESC switch is off	Power on ESC switch
Boat tends to dive in the water or takes on water	Boat hull is not completely closed	Dry out boat and ensure hatch is fully closed before returning boat to water
	Driver's cab is full of water	Punch throttle to remove excess water from the boat, or remove the boat from the water and drain the water from the cab
Boat tends to turn one direction	Jet nozzle is not centered	Repair jet nozzle or adjust rudder and rudder trim for straight running when control is at neutral
Jet nozzle does not move	Jet nozzle, linkage or servo damage	Replace or repair damaged parts and adjust controls
	Steering servo wire is damaged or connections are loose	Do a check of steering servo wires and connections, connect or replace as needed
	Transmitter is not bound correctly	Re-bind
	BEC (Battery Elimination Circuit) of the ESC is damaged	Replace ESC
	ESC switch is off	Power on ESC switch
Controls reversed	Transmitter settings are reversed	Perform the Control Direction Test and adjust controls on transmitter appropriately
Motor power pulses then motor loses power	Weather conditions might be too cold	Postpone until weather is warmer
	Battery is old, worn out or damaged	Replace battery

2-Year Limited Warranty

What This Warranty Covers — Horizon Hobby, LLC, (Horizon) warrants to the original purchaser that the product purchased (the “Product”) will be free from defects in materials and workmanship for two years from the date of purchase.

What is Not Covered — This warranty is not transferable and does not cover (i) cosmetic damage, (ii) damage due to acts of God, accident, misuse, abuse, negligence, commercial use, or due to improper use, installation, operation or maintenance, (iii) modification of or to any part of the Product, (iv) attempted service by anyone other than a Horizon Hobby authorized service center, (v) Product not purchased from an authorized Horizon dealer, or (vi) Product not compliant with applicable technical regulations or (vii) use that violates any applicable laws, rules, or regulations.

OTHER THAN THE EXPRESS WARRANTY ABOVE, HORIZON MAKES NO OTHER WARRANTY OR REPRESENTATION, AND HEREBY DISCLAIMS ANY AND ALL IMPLIED WARRANTIES, INCLUDING, WITHOUT LIMITATION, THE IMPLIED WARRANTIES OF NON-INFRINGEMENT, MERCHANTABILITY AND FITNESS FOR A PARTICULAR PURPOSE. THE PURCHASER ACKNOWLEDGES THAT THEY ALONE HAVE DETERMINED THAT THE PRODUCT WILL SUITABLY MEET THE REQUIREMENTS OF THE PURCHASER’S INTENDED USE.

Purchaser’s Remedy — Horizon’s sole obligation and purchaser’s sole and exclusive remedy shall be that Horizon will, at its option, either (i) service, or (ii) replace, any Product determined by Horizon to be defective. Horizon reserves the right to inspect any and all Product(s) involved in a warranty claim. Service or replacement decisions are at the sole discretion of Horizon. Proof of purchase is required for all warranty claims. SERVICE OR REPLACEMENT AS PROVIDED UNDER THIS WARRANTY IS THE PURCHASER’S SOLE AND EXCLUSIVE REMEDY.

Limitation of Liability — HORIZON SHALL NOT BE LIABLE FOR SPECIAL, INDIRECT, INCIDENTAL OR CONSEQUENTIAL DAMAGES, LOSS OF PROFITS OR PRODUCTION OR COMMERCIAL LOSS IN ANY WAY, REGARDLESS OF WHETHER SUCH CLAIM IS BASED IN CONTRACT, WARRANTY, TORT, NEGLIGENCE, STRICT LIABILITY OR ANY OTHER THEORY OF LIABILITY, EVEN IF HORIZON HAS BEEN ADVISED OF THE POSSIBILITY OF SUCH DAMAGES. Further, in no event shall the liability of Horizon exceed the individual price of the Product on which liability is asserted. As Horizon has no control over use, setup, final assembly, modification or misuse, no liability shall be assumed nor accepted for any resulting damage or injury. By the act of use, setup or assembly, the user accepts all resulting liability. If you as the purchaser or user are not prepared to accept the liability associated with the use of the Product, purchaser is advised to return the Product immediately in new and unused condition to the place of purchase.

Law — These terms are governed by Illinois law (without regard to conflict of law principals). This warranty gives you specific legal rights, and you may also have other rights which vary from state to state. Horizon reserves the right to change or modify this warranty at any time without notice.

WARRANTY SERVICES

Questions, Assistance, and Services — Your local hobby store and/or place of purchase cannot provide warranty support or service. Once assembly, setup or use of the Product has been started, you must contact your local distributor or Horizon directly. This will enable Horizon to better answer your questions and service you in the event that you may need any assistance. For questions or assistance,

please visit our website at www.horizonhobby.com, submit a Product Support Inquiry, or call the toll free telephone number referenced in the Warranty and Service Contact Information section to speak with a Product Support representative.

Inspection or Services — If this Product needs to be inspected or serviced and is compliant in the country you live and use the Product in, please use the Horizon Online Service Request submission process found on our website or call Horizon to obtain a Return Merchandise Authorization (RMA) number. Pack the Product securely using a shipping carton. Please note that original boxes may be included, but are not designed to withstand the rigors of shipping without additional protection. Ship via a carrier that provides tracking and insurance for lost or damaged parcels, as Horizon is not responsible for merchandise until it arrives and is accepted at our facility. An Online Service Request is available at http://www.horizonhobby.com/content/service-center_render-service-center. If you do not have internet access, please contact Horizon Product Support to obtain a RMA number along with instructions for submitting your product for service. When calling Horizon, you will be asked to provide your complete name, street address, email address and phone number where you can be reached during business hours. When sending product into Horizon, please include your RMA number, a list of the included items, and a brief summary of the problem. A copy of your original sales receipt must be included for warranty consideration. Be sure your name, address, and RMA number are clearly written on the outside of the shipping carton.

NOTICE: Do not ship LiPo batteries to Horizon. If you have any issue with a LiPo battery, please contact the appropriate Horizon Product Support office.

Warranty Requirements — For Warranty consideration, you must include your original sales receipt verifying the proof-of-purchase date. Provided warranty conditions have been met, your Product will be serviced or replaced free of charge. Service or replacement decisions are at the sole discretion of Horizon.

Non-Warranty Service — Should your service not be covered by warranty, service will be completed and payment will be required without notification or estimate of the expense unless the expense exceeds 50% of the retail purchase cost.

By submitting the item for service you are agreeing to payment of the service without notification. Service estimates are available upon request. You must include this request with your item submitted for service. Non-warranty service estimates will be billed a minimum of ½ hour of labor. In addition you will be billed for return freight. Horizon accepts money orders and cashier’s checks, as well as Visa, MasterCard, American Express, and Discover cards. By submitting any item to Horizon for service, you are agreeing to Horizon’s Terms and Conditions found on our website http://www.horizonhobby.com/content/service-center_render-service-center.

ATTENTION: Horizon service is limited to Product compliant in the country of use and ownership. If received, a non-compliant Product will not be serviced. Further, the sender will be responsible for arranging return shipment of the un-serviced Product, through a carrier of the sender’s choice and at the sender’s expense. Horizon will hold non-compliant Product for a period of 60 days from notification, after which it will be discarded.

Warranty and Service Contact Information

Country of Purchase	Horizon Hobby	Contact Information	Address
United States of America	Horizon Service Center (Repairs and Repair Requests)	servicecenter.horizonhobby.com/RequestForm/	2904 Research Rd. Champaign, Illinois, 61822 USA
	Horizon Product Support (Product Technical Assistance)	productsupport@horizonhobby.com 800-338-4639	
	Sales	websales@horizonhobby.com 800-338-4639	
EU	Horizon Technischer Service Sales: Horizon Hobby GmbH	service@horizonhobby.de +49 (0) 4121 2655 100	Hanskampring 9 D 22885 Barsbüttel, Germany

FCC Information


FCC ID: BRWSPMSLT300

This equipment complies with FCC and IC radiation exposure limits set forth for an uncontrolled environment. This equipment should be installed and operated with minimum distance 20cm between the radiator and/or antenna and your body (excluding fingers, hands, wrists, ankles and feet). This transmitter must not be co-located or operating in conjunction with any other antenna or transmitter.

Supplier's Declaration of Conformity

Pro Boat 1/6TH Scale Jet Stream Jet Boat, RTR (PRB08051)

This device complies with part 15 of the FCC Rules. Operation is subject to the following two conditions: (1) This device may not cause harmful interference, and (2) this device must accept any interference received, including interference that may cause undesired operation.

 **CAUTION:** Changes or modifications not expressly approved by the party responsible for compliance could void the user's authority to operate the equipment.

NOTE: This equipment has been tested and found to comply with the limits for a Class B digital device, pursuant to part 15 of the FCC Rules. These limits are designed to provide reasonable protection against harmful interference in a residential installation.

This equipment generates, uses and can radiate radio frequency energy and, if not installed and used in accordance with the instructions, may cause harmful interference to radio communications. However, there is no guarantee that interference will not occur in a particular installation. If this equipment does cause harmful interference to radio or television reception, which can be determined by turning the equipment off and on, the user is encouraged to try to correct the interference by one or more of the following measures:

- Reorient or relocate the receiving antenna.
- Increase the separation between the equipment and receiver.
- Connect the equipment into an outlet on a circuit different from that to which the receiver is connected.
- Consult the dealer or an experienced radio/TV technician for help.

Horizon Hobby, LLC
2904 Research Rd., Champaign, IL 61822
Email: compliance@horizonhobby.com
Web: HorizonHobby.com

IC Information

CAN ICES-3 (B)/NMB-3(B)

IC: 6157A-SPMSLT300

This device contains license-exempt transmitter(s)/receiver(s) that comply with Innovation, Science, and Economic Development Canada's license-exempt RSS(s). Operation is subject to the following 2 conditions:

1. This device may not cause interference.
2. This device must accept any interference, including interference that may cause undesired operation of the device.

Compliance Information for the European Union

EU Compliance Statement: Pro Boat 1/6TH Scale Jet Stream Jet Boat, RTR (PRB08051)

Hereby, Horizon Hobby, LLC declares that the device is in compliance with the following: Radio Equipment Directive (RED) 2014/53/EU, RoHS 2 Directive 2011/65/EU, RoHS 3 Directive - Amending 2011/65/EU Annex II 2015/863.

The full text of the EU declaration of conformity is available at the following internet address: <https://www.horizonhobby.com/content/support-render-compliance>.

NOTE: This product contains batteries that are covered under the 2006/66/EC European Directive, which cannot be disposed of with normal household waste. Please follow local regulations.

Wireless Frequency Range and Wireless Output Power:

Transmitter:
2403-2480MHz
16.3 dBm

EU Manufacturer of Record:

Horizon Hobby, LLC
2904 Research Road
Champaign, IL 61822 USA

EU Importer of Record:

Horizon Hobby, GmbH
Hanskampring 9
22885 Barsbüttel Germany

WEEE NOTICE:



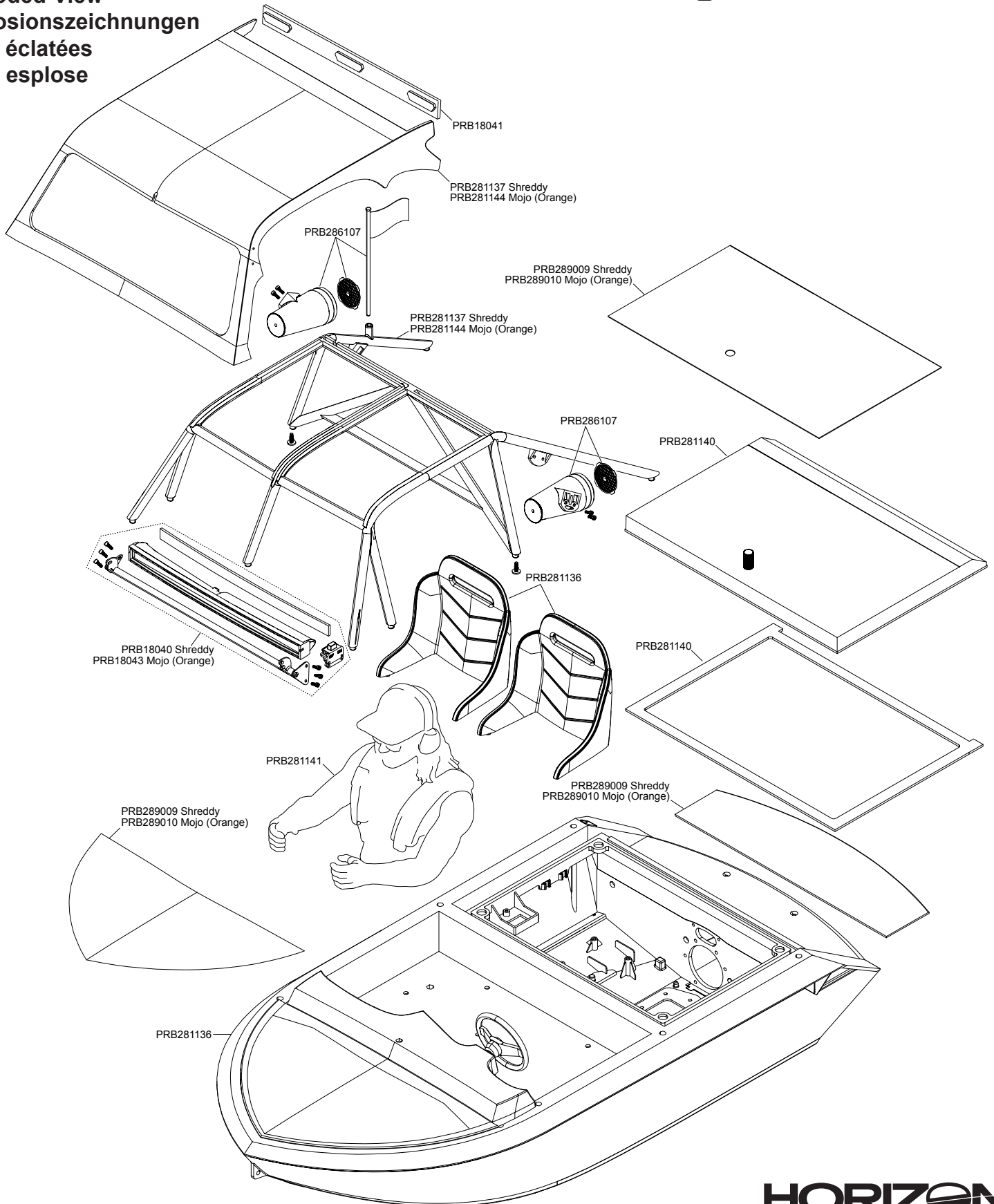
This appliance is labeled in accordance with European Directive 2012/19/EU concerning waste of electrical and electronic equipment (WEEE). This label indicates that this product should not be disposed of with household waste. It should be deposited at an appropriate facility to enable recovery and recycling.



PROBOAT™ **JETSTREAM** ADVENTURE BOATS

PRB08051

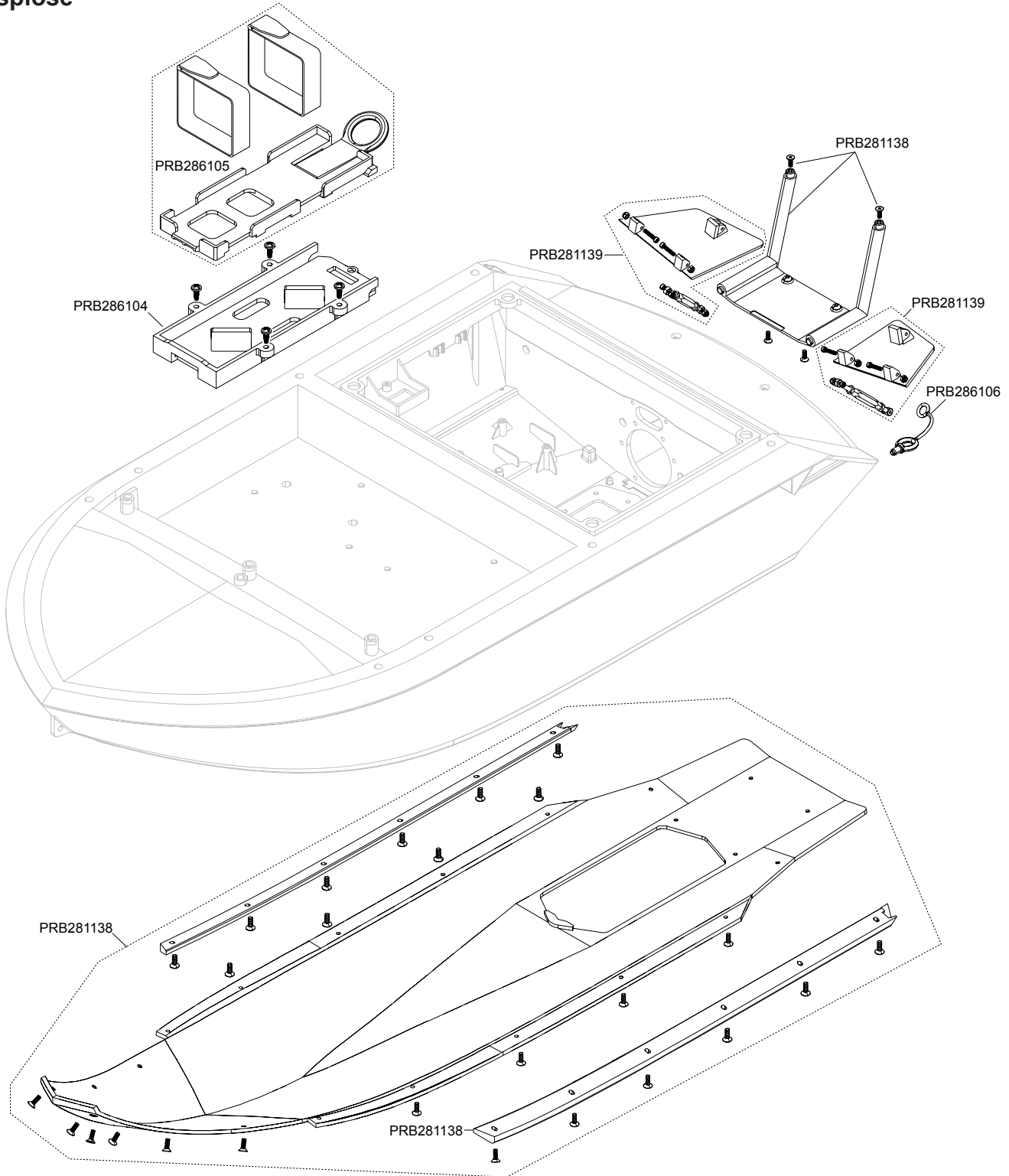
Exploded View
Explosionszeichnungen
Vues éclatées
Viste esplose



PROBOAT™ **JETSTREAM** ADVENTURE BOATS

PRB08051

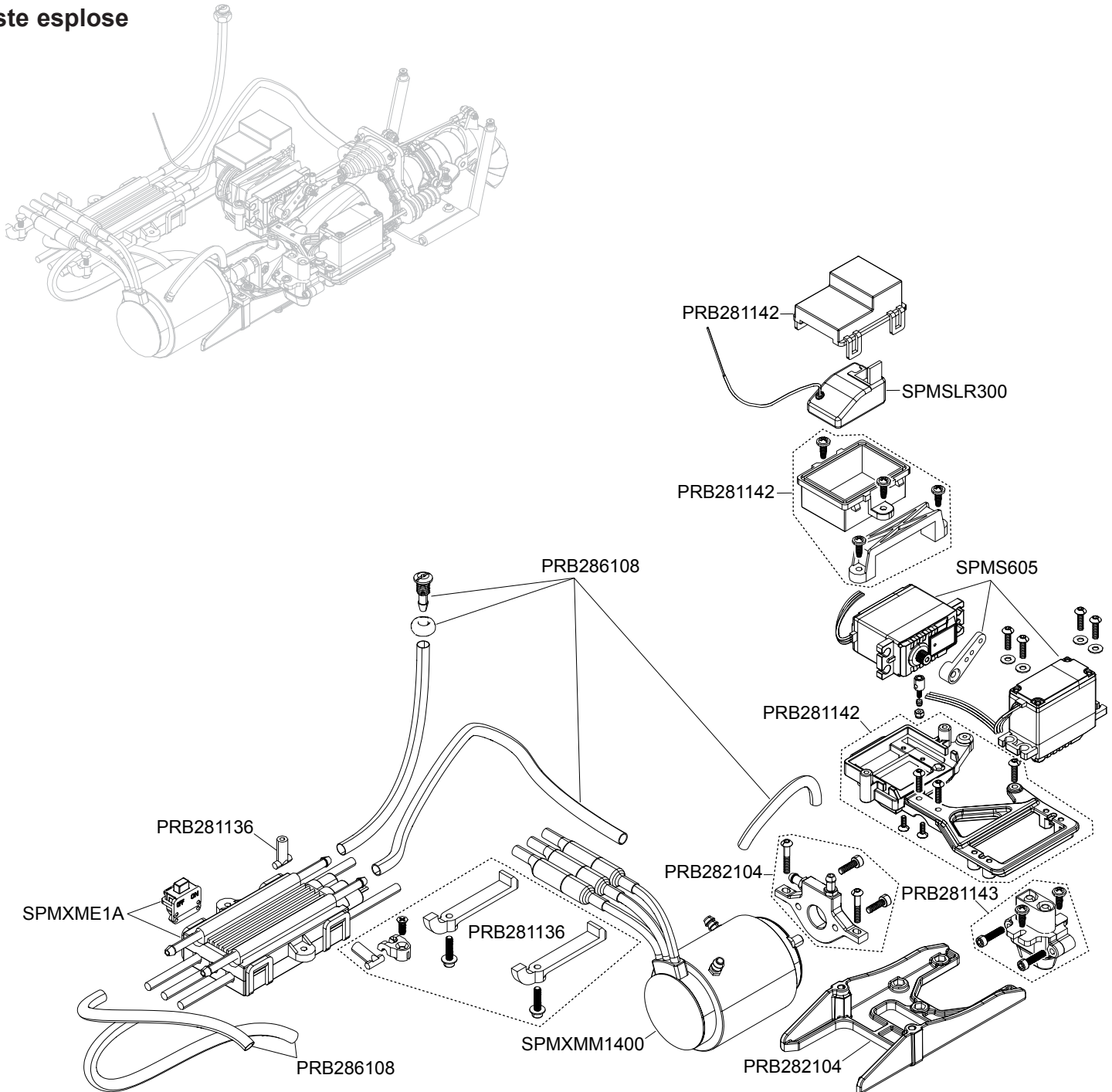
Exploded View
Explosionszeichnungen
Vues éclatées
Viste esplose



PROBOAT™ **JETSTREAM** ADVENTURE BOATS

PRB08051

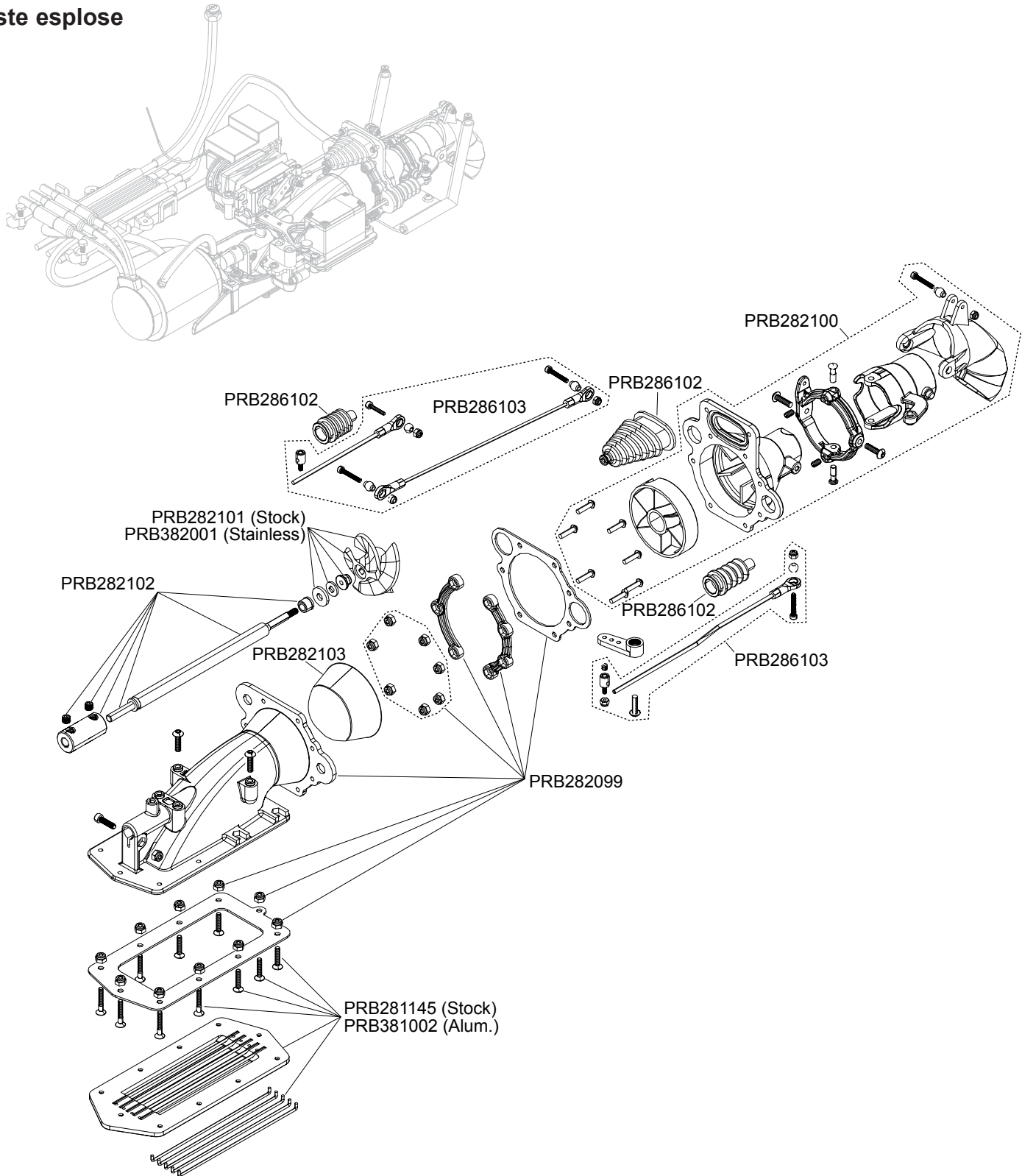
Exploded View
Explosionszeichnungen
Vues éclatées
Viste esplose



PROBOAT™ **JETSTREAM**
ADVENTURE BOATS

PRB08051

Exploded View
 Explosionszeichnungen
 Vues éclatées
 Viste esplose





Add custom graphics to your boat using wrap templates available at HH.com or proboatmodels.com!

Fügen Sie Ihrem Boot mit Hilfe von Schablonen, die Sie bei HH.com oder proboatmodels.com finden, persönliche Motive hinzu!

Ajoutez des graphiques personnalisés à votre bateau en utilisant les modèles d'habillage disponibles sur HH.com ou proboatmodels.com !

Aggiungete una grafica personalizzata alla vostra barca utilizzando i modelli di wrap disponibili su HH.com o proboatmodels.com!



PROBOAT™

©2023 Horizon Hobby, LLC. Pro Boat, SLT3, IC5, and the Horizon Hobby logo are trademarks or registered trademarks of Horizon Hobby, LLC. The Spektrum trademark is used with permission of Bachmann Industries, Inc. All other trademarks or registered trademarks are property of their respective owners.
Other patents pending.

Created: 06/2023

PRB08051

471913